

NOTES

- 1.) ALL STL MEMBERS COATED W/ ZINC RICH EPOXY THEN FINISHED W/ POLYESTER POWDER COATING.
- 2.) 1/2" x 3 3/4" EXPANSION ANCHOR BOLTS PROVIDED.

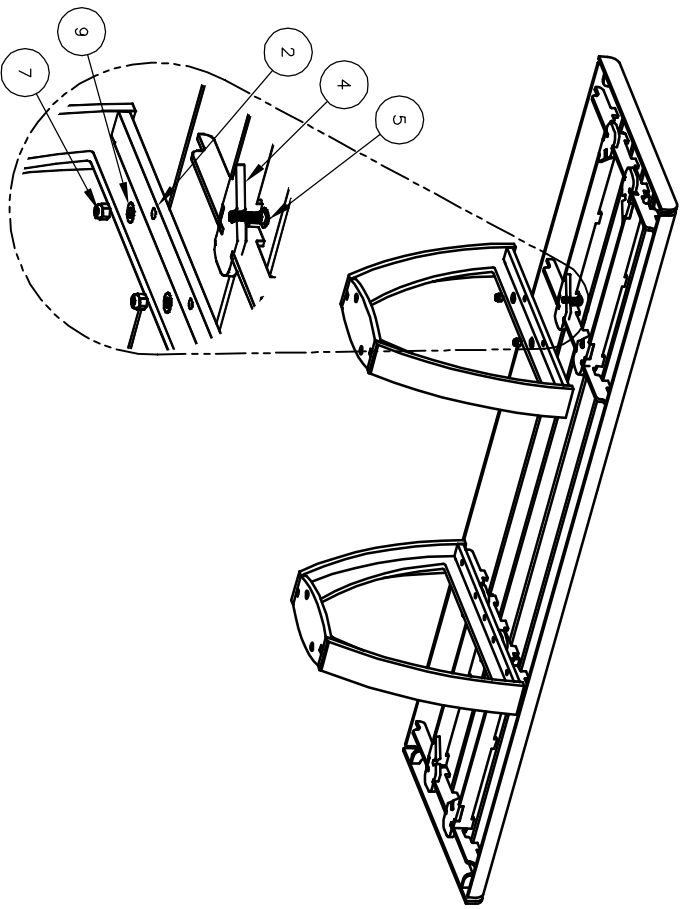
NOTES:

- 1.) DURING ASSEMBLY PROCEDURE: DO NOT COMPLETELY TIGHTEN HARDWARE.
- 2.) THE ACTUAL PARTS WILL NOT BE NUMBERED. NUMBERS ONLY APPLY TO DRAWING.
- 3.) UPON COMPLETION OF ASSEMBLY SQUARE ALL COMPONENTS THEN TIGHTEN ALL HARDWARE.
- 4.) MOUNT AND ANCHOR AS SPECIFIED.

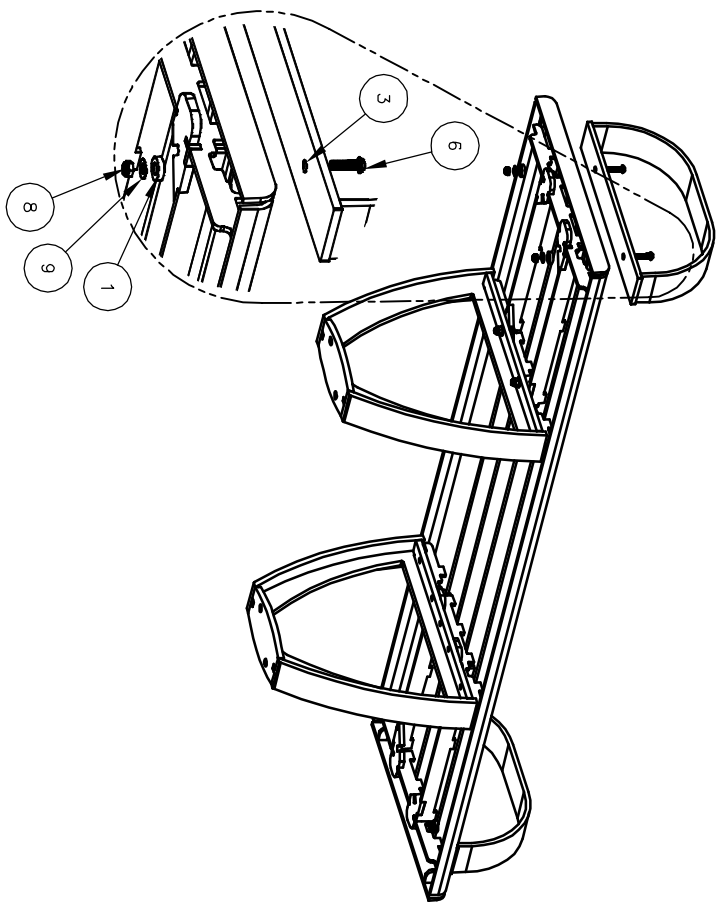
TOOLS REQ'D

- 3/4" WRENCH
- 9/16" WRENCH
- 1/4" ALLEN WRENCH
- 1/2" MASONRY DRILL BIT
- DRILL

1 ATTACH SEAT TO SUPPORTS.



2 ATTACH ARMRESTS.



PARTS LIST

| ITEM | QTY | PART NO | DESCRIPTION |
|------|-----|-----------------|-------------------------------------|
| 1 | 4 | 0-470-00-07 | STL ARMREST BOLT PLATE |
| 2 | 2 | 0-471-00-01 | STL BKLS SUPPORT |
| 3 | 2 | 0-471-00HSAR-06 | STL ARMREST FOR HORIZ STRAP |
| 4 | 1 | 0-471-60HS-02 | 6 STL BKLS SEAT, HORIZONTAL STRAPS |
| 5 | 4 | 1-11-003 | 3/8" X 1 1/2" SS CGE BOLT |
| 6 | 4 | 1-12-111 | 3/8" X 1 1/4" SS BRN SRT HD CAP SCR |
| 7 | 4 | 1-20-007 | 3/8" SS NYLON LOCKNUT |
| 8 | 4 | 1-20-019 | 3/8" SS THIN NYLON LOCKNUT |
| 9 | 8 | 1-22-024 | 3/8" SS FLAT WASHER |

KITS PROVIDED

| ITEM | QTY | PART NO | DESCRIPTION |
|------|-----|-------------|-----------------------------------|
| 10 | 1 | K-ANCO860-4 | 1/2" X 3 3/4" SS ANCHOR KIT (4PC) |
| 11 | 2 | K-BO0620-2 | 3/8" CAP SCR HARDWARE KIT (2 PC) |
| 12 | 1 | K-CG0624-4L | 3/8" CGE BOLT HARDWARE KIT (4PC) |

DUMOR, inc. ASSEMBLY INSTRUCTIONS

DATE DRAWN : 03/11/16
 DRAWN BY : ESS
 DATE REV. :
 REV. BY :

REV. A

DRAWING NUMBER 471-60HS-2AR/S-2

SHEET 2 OF 2