

LENGTH OPTIONS

- 6' TABLE
- 8' TABLE

NOTES:

- 1.) DURING ASSEMBLY PROCEDURE; DO NOT COMPLETELY TIGHTEN HARDWARE.
- 2.) THE ACTUAL PARTS WILL NOT BE NUMBERED. NUMBERS ONLY APPLY TO DRAWING.
- 3.) UPON COMPLETION OF ASSEMBLY SQUARE ALL COMPONENTS THEN TIGHTEN ALL HARDWARE.
- 4.) MOUNT AND ANCHOR AS SPECIFIED.

TOOLS REQ'D

- 9/16" WRENCH
- 1/2" WRENCH
- 3/16" ALLEN WRENCH

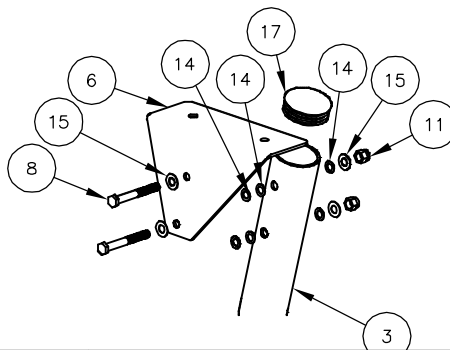
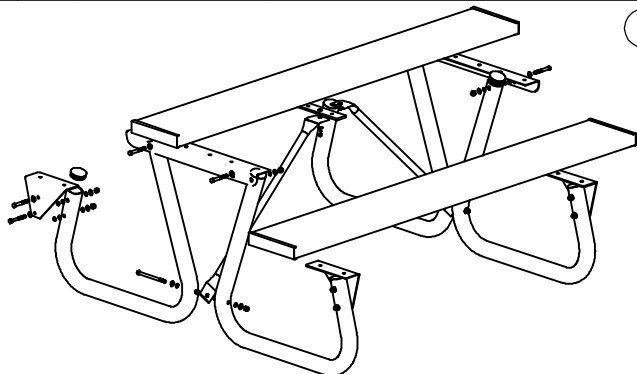
PARTS LIST

ITEM	QTY	PART NO	DESCRIPTION
1	2	0-71-00-08HG	BOLT PLATE FOR ALUM PLANK, HG
2	5	0-71-60A	2" X 10" X 6' ALUM. PLANK ASSEMBLY
3	4	0-72-00-02	END SUPPORT FRAME
4	2	0-72-00-03	DIAGONAL BRACE
5	2	0-72-00-04	TOP ANGLE
6	4	0-72-00-05	SEAT PLATE
7	24	1-11-032	5/16" X 1" SS CGE BOLT
8	12	1-12-002	3/8" X 3" SS HEX HD CAP SCR
9	2	1-12-023	5/16" X 1" SS FLT SKT HD CAP SCR
10	2	1-12-039	3/8" X 5 1/2" SS HEX HD CAP SCR
11	14	1-20-007	3/8" SS NYLON LOCKNUT
12	26	1-21-015	5/16" SS HEX NUT
13	26	1-22-017	5/16" SS FLAT WASHER
14	44	1-22-018	3/8" ID X 5/8" OD RUBBER WASHER
15	28	1-22-024	3/8" SS FLAT WASHER
16	24	5-48-702	ALUMINUM CLIP
17	8	5-48-859	2" BLACK PLASTIC PLUG

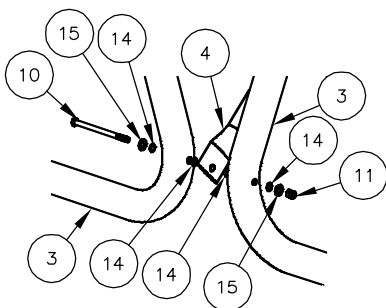
KITS PROVIDED

ITEM	QTY	PART NO	DESCRIPTION
18	1	K-72A	72 SER ALUM HARDWARE KIT
19	1	K-ALUMCLIP-26	ALUMINUM CLIP, 26 PCS

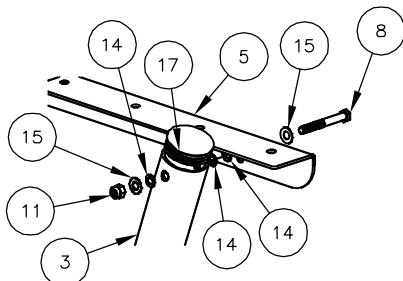
① INSERT PLUG IN END SUPPORT FRAMES. ATTACH SEAT PLATE.



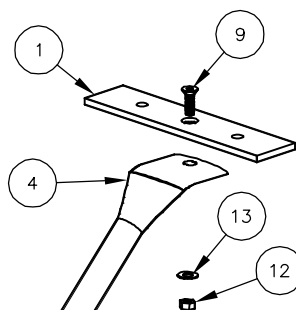
② ATTACH DIAGONAL SUPPORTS TO STEP 1 ASSEMBLIES.



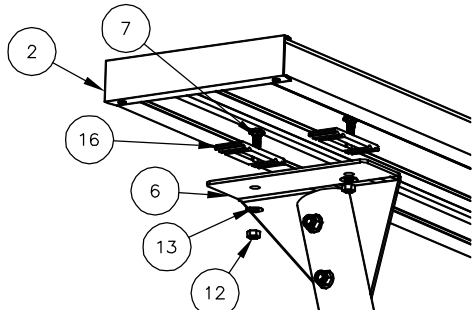
③ INSERT PLUG IN END FRAMES. ATTACH TOP ANGLES TO STEP 2 ASSEMBLIES.



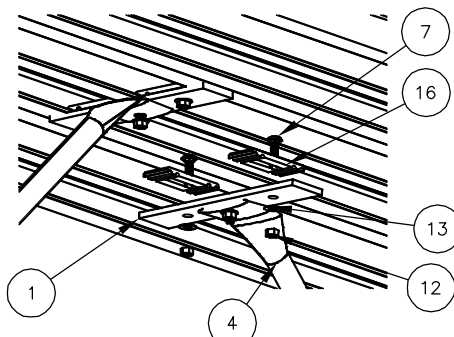
④ ATTACH BOLT PLATES FOR ALUM. PLANKS TO STEP 3 ASSEMBLIES.



⑤ PLACE 5/16" X 1" SS. CGE. BOLT INTO ALUMINUM CLIP. PLACE BOLT WITH CLIP IN HOLES OF END SUPPORT FRAME. THEN PLACE 2" X 10" ALUMINUM PLANK ON SUPPORT OVER TOP OF ALUMINUM CLIPS. TURN CLIPS 1/4 TURN IN ALUMINUM PLANK TO LOCK INTO POSITION. THEN TO TIGHTEN TO SNUG FIT. REPEAT UNTIL ALL PLANKS ARE ATTACHED.



⑥ ATTACH DIAGONAL BRACES AS IN STEP 5.



ASSEMBLY INSTRUCTIONS

DATE DRAWN : 3/22/94
 DRAWN BY : AH
 DATE REV. : 09/22/15
 REV. BY : ESS

REV. 1
 DRAWING NUMBER

72 SERIES A

SHEET 2 OF 2