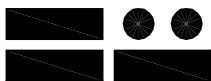


**NOTES:**

- 1.) ALL STL. MEMBERS COATED W/ ZINC RICH EPOXY THEN FINISHED W/ POLYESTER POWDER COATING.
- 2.) 1/2" X 3 3/4" EXPANSION ANCHOR BOLTS PROVIDED.
- 3.) BENCH IS SHIPPED UNASSEMBLED.

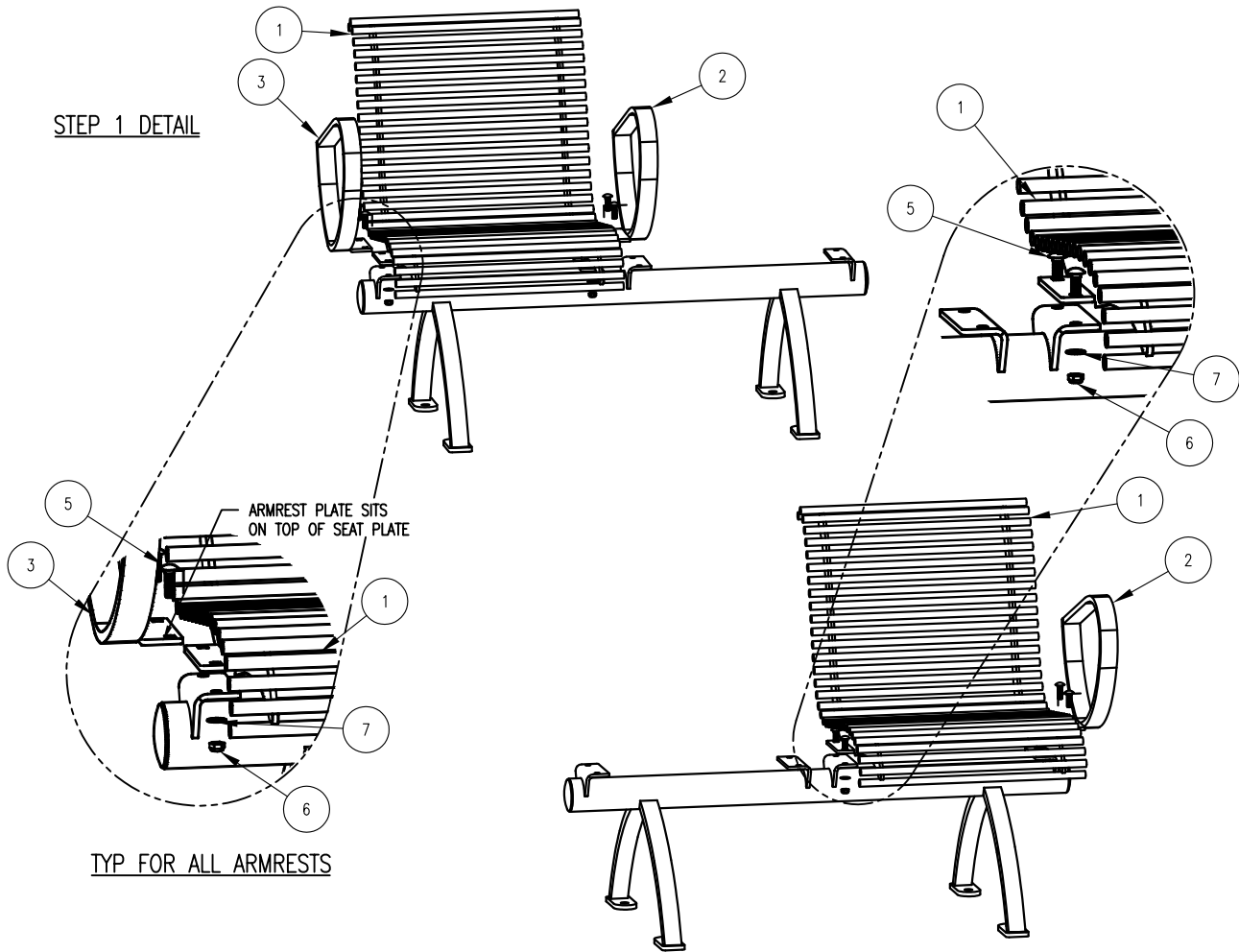


**DuMor, inc.**  
P.O. Box 142 Mifflintown, PA 17059-0142

SCALE :	NONE
DATE DRAWN :	8/10/11
DRAWN BY :	JSB
DATE REV. :	
REV. BY :	

TITLE :	BENCH		
REV.	DRAWING NUMBER	424-23/S-5	SHEET
A			1 OF 2

**STEP 1 DETAIL**



**STEP 2 DETAIL**

**STEP 1:**

- USE 1 - PC. SEAT SUPPORT FOR 2 SEATS. FREE STD ( 4 )
  - 1 - PC. STL SEAT (20") ( 1 )
  - 1 - PC. LEFT STL ARMREST ( 2 )
  - 1 - PC. RIGHT STL ARMREST ( 3 )
  - 4 - PCS. 3/8" X 1 1/4" SS. CGE BOLT ( 5 )
  - 4 - PCS. 3/8" SS. THIN NYLON LOCKNUT ( 6 )
  - 4 - PCS. 3/8" SS. FLAT WASHER ( 7 )
- ATTACH STL SEAT (20") ( 1 ), LEFT STL ARMREST ( 2 ) & RIGHT STL ARMREST ( 3 ) TO END LOCATION OF SEAT SUPPORT FOR 2 SEATS, FREE STD ( 4 ). USING HARDWARE ( 5, 6 & 7 ). TIGHTEN TO SNUG FIT.

**STEP 2:**

- USE 1 - PC. STL SEAT (20") ( 1 )
  - 1 - PC. LEFT STL ARMREST ( 2 )
  - 4 - PCS. 3/8" X 1 1/4" SS. CGE BOLT ( 5 )
  - 4 - PCS. 3/8" SS. THIN NYLON LOCKNUT ( 6 )
  - 4 - PCS. 3/8" SS. FLAT WASHER ( 7 )
- ATTACH STL SEAT (20") ( 1 ), LEFT STL ARMREST ( 2 ) TO STEP 1 ASSEMBLY USING HARDWARE ( 5, 6 & 7 ). TIGHTEN TO SNUG FIT.

**NOTE:**

- 1.) DURING ASSEMBLY PROCEDURE;  
DO NOT COMPLETELY TIGHTEN HARDWARE.
- 2.) THE ACTUAL PARTS WILL NOT BE NUMBERED:  
NUMBERS ONLY APPLY TO DRAWING.

**STEP 4:**

UPON COMPLETION OF BENCH ASSEMBLY SQUARE ALL COMPONENTS THEN TIGHTEN ALL HARDWARE.

**STEP 5:**

MOUNT AND ANCHOR AS SPECIFIED.

ITEM	QTY	PART NO	DESCRIPTION
7	8	1-22-024	3/8" SS FLAT WASHER
6	8	1-20-019	3/8" SS THIN NYLON LOCKNUT
5	8	1-11-019	3/8" X 1 1/4" SS CGE BOLT
4	1	0-424-20-02/S-5	STL SEAT SUPPORT FOR 2 SEATS, FREE STD
3	1	0-424-00R-03	RIGHT STL ARMREST
2	2	0-424-00L-03	LEFT STL ARMREST
1	2	0-424-00-01	STL SEAT ( 20" )

**DuMor, inc.**  
P.O. Box 142 Mifflintown, PA 17059-0142

SCALE : NONE  
DATE DRAWN : 8/10/11  
DRAWN BY : JSB  
DATE REV. :  
REV. BY :

TITLE : BENCH ASSEMBLY  
REV. A  
DRAWING NUMBER 424-23/S-5  
SHEET 2 OF 2