

NOTES

- 1.) ALL STL. MEMBERS COATED W/ ZINC RICH EPOXY THEN FINISHED W/ POLYESTER POWDER COATING.
- 2.) 1/2" X 3 3/4" EXPANSION ANCHOR BOLTS PROVIDED.

NOTES:

- 1.) DURING ASSEMBLY PROCEDURE;
DO NOT COMPLETELY TIGHTEN HARDWARE.
- 2.) THE ACTUAL PARTS WILL NOT BE NUMBERED.
NUMBERS ONLY APPLY TO DRAWING.
- 3.) UPON COMPLETION OF ASSEMBLY SQUARE
ALL COMPONENTS THEN TIGHTEN ALL HARDWARE.
- 4.) MOUNT AND ANCHOR AS SPECIFIED.

TOOLS REQ'D
 3/4" WRENCH
 5/16" ALLEN WRENCH
 1/2" MASONRY DRILL BIT
 DRILL

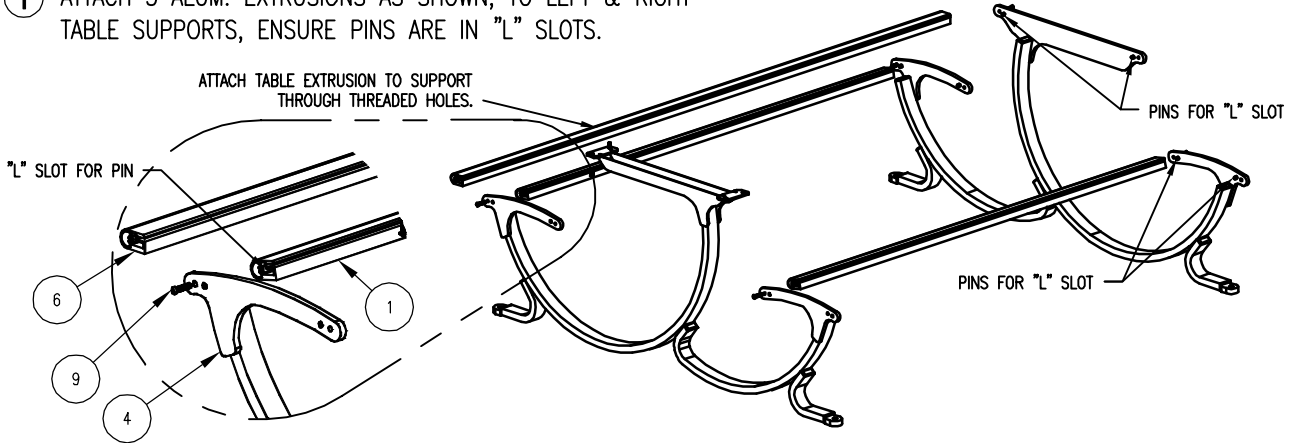
PARTS LIST

ITEM	QTY	PART NO	DESCRIPTION
1	4	0-460-60-03	71 3/4" ALUM EXTRUSION
2	2	0-460-60HS-01	6' SEAT/ BACK FOR 1/4" X 1 1/2" BAR
3	1	0-464-00-01	TABLE SUPPORT
4	1	0-464-68-01	WHLCHR TABLE SUPPORT
5	1	0-464-68-04	WHLCHR TABLE END PLATE
6	1	0-464-68L-06	95 3/4" LEFT ALUM EXTRUSION FOR WHLCHR TABLE
7	1	0-464-68R-06	95 3/4" RIGHT ALUM EXTRUSION FOR WHLCHR TABLE
8	1	0-464-80HS-03	8' STL TABLE TOP, 1/4" X 1 1/2" BAR
9	12	1-12-053	5/16" X 1 1/2" SS BTN SKT HD CAP SCR
10	4	1-12-116	5/16" X 1" SS BTN SKT HD CAP SCR

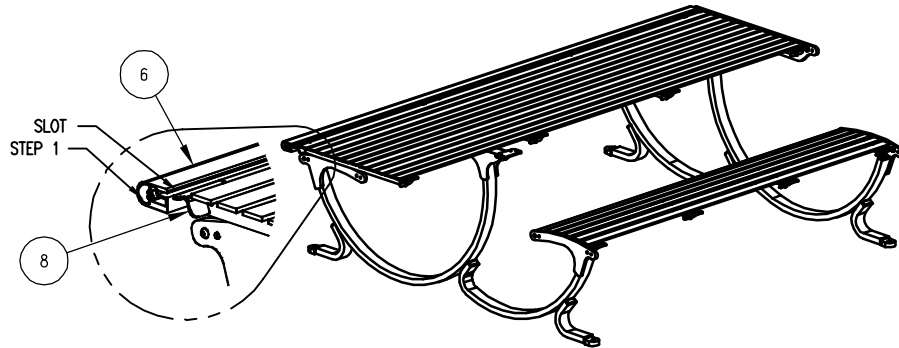
KITS PROVIDED

ITEM	QTY	PART NO	DESCRIPTION
11	1	K-ANC0860-4	1/2" X 3 3/4" SS ANCHOR KIT (4PC)
12	1	K-BC0516-4	5/16" CAP HARDWARE KIT (4PC)
13	2	K-BC0524-6	5/16" CAP HARDWARE KIT (6PC)

- 1** ATTACH 3 ALUM. EXTRUSIONS AS SHOWN, TO LEFT & RIGHT TABLE SUPPORTS, ENSURE PINS ARE IN "L" SLOTS.



- 2** INSERT SEATS & TABLE TOP INTO STEP 1, USING SLOTS ON ALUM. EXTRUSIONS.



- 3** ATTACH 3 REMAINING ALUM. EXTRUSIONS & END PLATE TO SUPPORTS, AS IN STEP 1. UPON COMPLETION OF TABLE ASSEMBLY SQUARE ALL COMPONENTS THEN TIGHTEN ALL HARDWARE.

