


NOTES

- 1.) ALL STL. MEMBERS COATED W/ ZINC RICH EPOXY THEN FINISHED W/ POLYESTER POWDER COATING.
- 2.) $1/2" \times 3 \frac{3}{4}"$ EXPANSION ANCHOR BOLTS PROVIDED.

	BENCH	DATE DRAWN : 07/19/13	REV.	DRAWING NUMBER	461-60HS	SHEET
		DRAWN BY : ESS	B			
		DATE REV. : 10/8/15				
		REV. BY : JSB				
						1 OF 2

PARTS LIST

ITEM	QTY	PART NO	DESCRIPTION
1	2	0-460-60-03	71 3/4" ALUM EXTRUSION
2	1	0-460-60HS-01	6' SEAT/ BACK FOR 1/4" X 1 1/2" BAR
3	1	0-461-00L-01	LEFT BKLS BENCH SUPPORT
4	1	0-461-00R-01	RIGHT BKLS BENCH SUPPORT
5	4	1-12-053	5/16" X 1 1/2" SS BTN SKT HD CAP SCR

KITS PROVIDED

ITEM	QTY	PART NO	DESCRIPTION
6	1	K-ANC0860-4	1/2" X 3 3/4" SS ANCHOR KIT (4PC)
7	1	K-BC0524-4	5/16" CAP HARDWARE KIT (4PC)

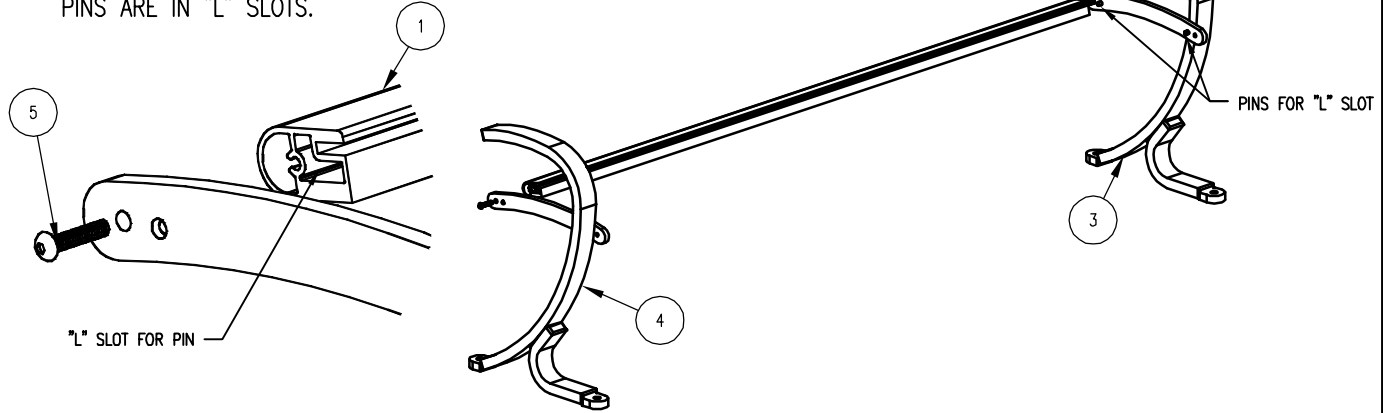
NOTES:

- 1.) DURING ASSEMBLY PROCEDURE;
DO NOT COMPLETELY TIGHTEN HARDWARE.
- 2.) THE ACTUAL PARTS WILL NOT BE NUMBERED.
NUMBERS ONLY APPLY TO DRAWING.
- 3.) UPON COMPLETION OF ASSEMBLY SQUARE
ALL COMPONENTS THEN TIGHTEN ALL HARDWARE.
- 4.) MOUNT AND ANCHOR AS SPECIFIED.

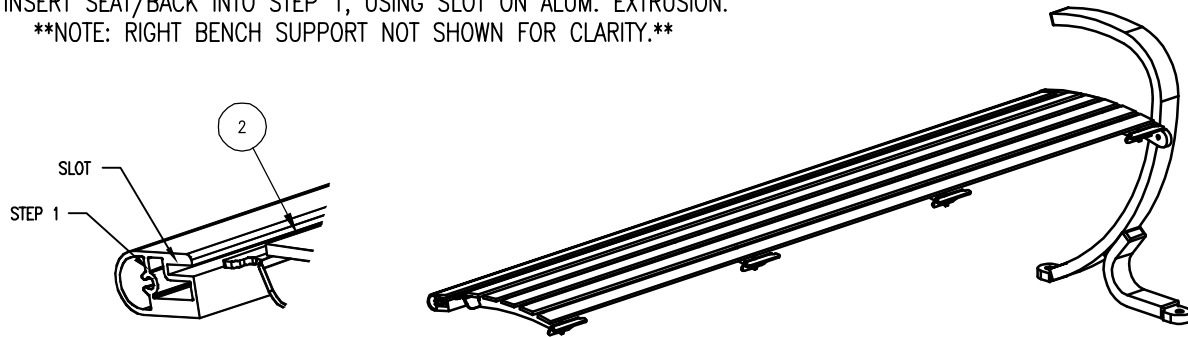
TOOLS REQ'D

- 3/4" WRENCH
3/16" ALLEN WRENCH
1/2" MASONRY DRILL BIT
DRILL

- ① ATTACH ALUM. EXTRUSION AS SHOWN, TO LEFT & RIGHT BENCH SUPPORTS, ENSURE PINS ARE IN "L" SLOTS.



- ② INSERT SEAT/BACK INTO STEP 1, USING SLOT ON ALUM. EXTRUSION.
NOTE: RIGHT BENCH SUPPORT NOT SHOWN FOR CLARITY.



- ③ ATTACH REMAINING ALUM. EXTRUSION TO SUPPORTS, AS IN STEP 1.

