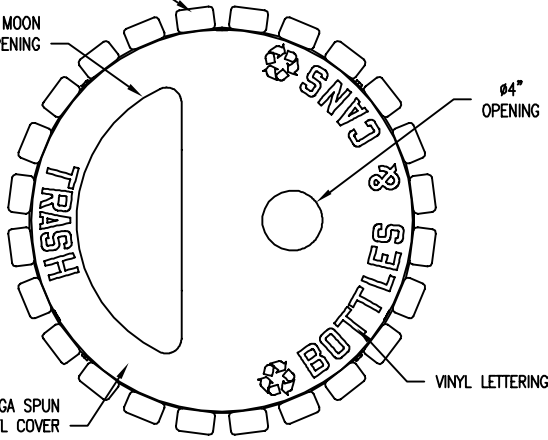


2" X 3" (NOM.) SLATS
(SEE SLAT OPTIONS)

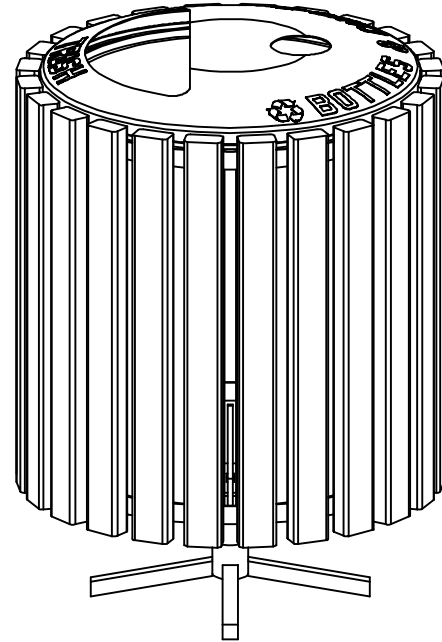
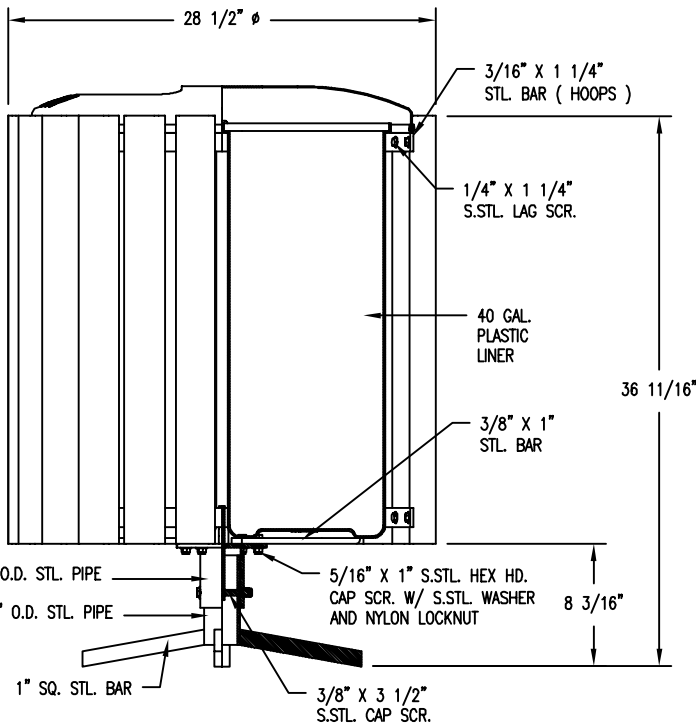
1/2 MOON
OPENING



14 GA SPUN
STL COVER

VINYL LETTERING

Ø4"
OPENING



NOTES

1.) ALL STL. MEMBERS COATED W/ ZINC RICH EPOXY THEN FINISHED W/ BLACK POLYESTER POWDER COATING.

SLAT OPTIONS

- "CEDAR" RECYCLED PLASTIC
- "GREY" RECYCLED PLASTIC
- "REDWOOD" RECYCLED PLASTIC
- "WALNUT" RECYCLED PLASTIC
- OTHER _____



RECEPTACLE

DATE DRAWN : 01/21/13
DRAWN BY : JSB
DATE REV. : 00/00/00
REV. BY : XXX

REV.
A

DRAWING NUMBER
43-40PL
W/ CVR-40-RC-0009

SHEET
1 OF 2

NOTES:

- 1.) DURING ASSEMBLY PROCEDURE;
DO NOT COMPLETELY TIGHTEN HARDWARE.
- 2.) THE ACTUAL PARTS WILL NOT BE NUMBERED.
NUMBERS ONLY APPLY TO DRAWING.
- 3.) UPON COMPLETION OF ASSEMBLY SQUARE
ALL COMPONENTS THEN TIGHTEN ALL HARDWARE.
- 4.) MOUNT AND ANCHOR AS SPECIFIED.

TOOLS REQ'D

- 9/16" WRENCH
- 1/2" WRENCH
- 7/16" WRENCH
- 1/4" ALLEN WRENCH
- PLIERS (FOR ATTACHING COVER)

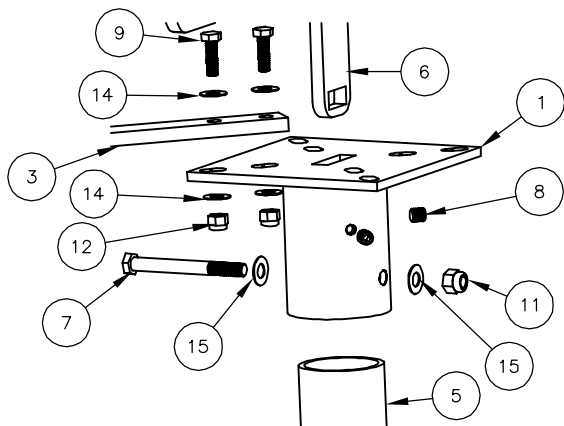
PARTS LIST

ITEM	QTY	PART NO	DESCRIPTION
1	1	0-41-00-04	CENTER BRACKET
2	2	0-41-30-01	HOOP FOR 30 GAL
3	4	0-41-30-07	"L" SUPPORT STRAP FOR 30 GAL
4	24	0-41-30PL-06	2" X 3" X 28 1/2" SLAT, PLASTIC
5	1	0-43-00-01	FREE STANDING BASE
6	1	0-49-20H-02	STL DIVIDER PLATE
7	1	1-12-034	3/8" X 3 1/2" SS HEX HD CAP SCR
8	2	1-12-054	3/8" X 3/8" SS SKT SET SCR
9	16	1-12-061	5/16" X 1" SS HEX HD CAP SCR
10	48	1-13-004	1/4" X 1 1/4" SS HEX HD LAG SCR
11	1	1-20-007	3/8" SS NYLON LOCKNUT
12	16	1-20-016	5/16" SS NYLON LOCKNUT
13	48	1-22-006	1/4" SS FLAT WASHER
14	32	1-22-017	5/16" SS FLAT WASHER
15	2	1-22-024	3/8" SS FLAT WASHER
16	2	49-20H	20 GAL HALF ROUND LINER (ANDURAN CO)

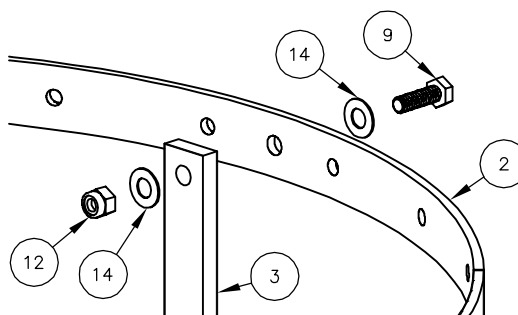
KITS PROVIDED

ITEM	QTY	PART NO	DESCRIPTION
17	1	K-41	41 SER HARDWARE KIT

1 ATTACH SUPPORT, CENTER BRACKET, DIVIDER PLATE & "L" SUPPORT STRAPS TOGETHER.



2 ATTACH HOOPS TO STEP 1.



3 ATTACH SLATS TO STEP 2.

