

NOTES

- 1.) ALL STL. MEMBERS COATED W/ ZINC RICH EPOXY THEN FINISHED W/ BLACK POLYESTER POWDER COATING.

WOOD OPTIONS

- 'C' & BTR. DOUGLAS FIR KD S4S EE
- IPE S4S EE
- OTHER \_\_\_\_\_

**NOTES:**

- 1.) DURING ASSEMBLY PROCEDURE;  
DO NOT COMPLETELY TIGHTEN HARDWARE.
- 2.) THE ACTUAL PARTS WILL NOT BE NUMBERED.  
NUMBERS ONLY APPLY TO DRAWING.
- 3.) UPON COMPLETION OF ASSEMBLY SQUARE  
ALL COMPONENTS THEN TIGHTEN ALL HARDWARE.
- 4.) MOUNT AND ANCHOR AS SPECIFIED.

**TOOLS REQ'D**

- 9/16" WRENCH
- 1/2" WRENCH
- 7/16" WRENCH
- 1/4" ALLEN WRENCH
- PLIERS ( FOR ATTACHING COVER )

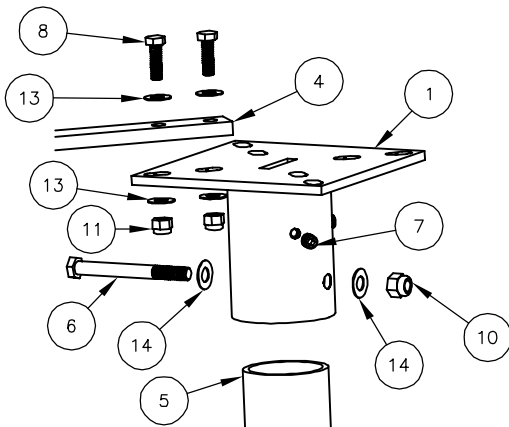
**PARTS LIST**

ITEM	QTY	PART NO	DESCRIPTION
1	1	0-41-00-04	CENTER BRACKET
2	2	0-41-30-01	HOOP FOR 30 GAL
3	24	0-41-30-06	2" X 3" X 28 1/2" SLAT, WOOD
4	4	0-41-30-07	"L" SUPPORT FOR 30 GAL
5	1	0-43-00-01	FREE STANDING BASE
6	1	1-12-034	3/8" X 3 1/2" SS HEX HD CAP SCR
7	2	1-12-054	3/8" X 3/8" SS SKT SET SCR
8	16	1-12-061	5/16" X 1" SS HEX HD CAP SCR
9	48	1-13-004	1/4" X 1 1/4" SS HEX HD LAG SCR
10	1	1-20-007	3/8" SS NYLON LOCKNUT
11	16	1-20-016	5/16" SS NYLON LOCKNUT
12	48	1-22-006	1/4" SS FLAT WASHER
13	32	1-22-017	5/16" SS FLAT WASHER
14	2	1-22-024	3/8" SS FLAT WASHER
15	1	49-32	32 GAL PL LINER W/ HANDLE, BLK

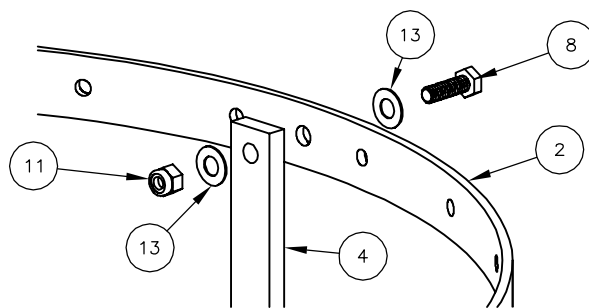
**KITS PROVIDED**

ITEM	QTY	PART NO	DESCRIPTION
16	1	K-41	41 SER HARDWARE KIT

① ATTACH SUPPORT, CENTER BRACKET & "L" SUPPORT STRAPS TOGETHER.



② ATTACH HOOPS TO STEP 1.



③ ATTACH SLATS TO STEP 2.

