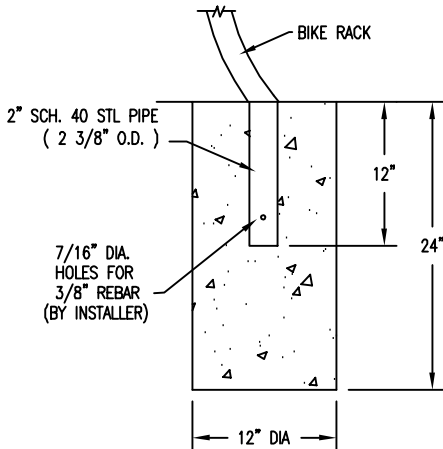
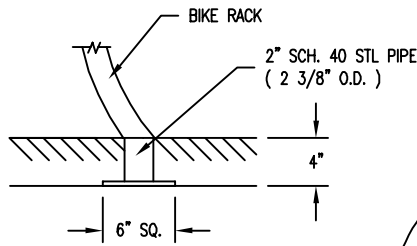


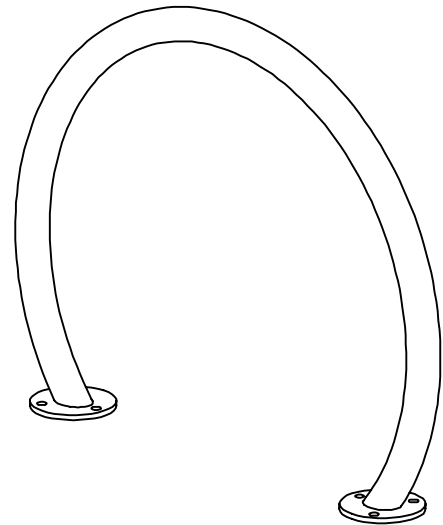
S-2 SURFACE MOUNT



S-1 EMBEDMENT



S-4 SUB FLOOR



NOTE:

- 1.) ALL STL. MEMBERS COATED W/ ZINC RICH EPOXY THEN FINISHED W/ POLYESTER POWDER COATING.
- 2.) 1/2" X 3 3/4" EXPANSION ANCHOR BOLTS PROVIDED FOR OPTIONS S-2 & S-4.

PARTS LIST FOR S-2

ITEM	QTY	PART NO	DESCRIPTION
1	1	0-292-00-01/S-2	36" I.D. BIKE LOOP FOR SURFACE MOUNT

NOTES:

1.) MOUNT AND ANCHOR AS SPECIFIED.

TOOLS REQ'D

3/4" WRENCH
 1/2" MASONRY DRILL BIT
 DRILL

KITS PROVIDED FOR S-2

ITEM	QTY	PART NO	DESCRIPTION
2	2	K-ANCO860-3	1/2" X 3 3/4" SS ANCHOR KIT (3PCS)

①

