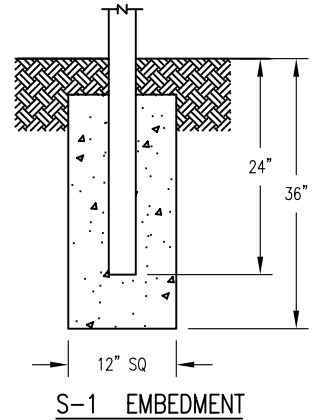
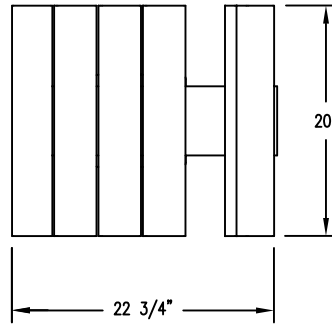
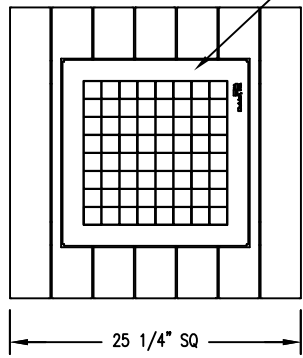
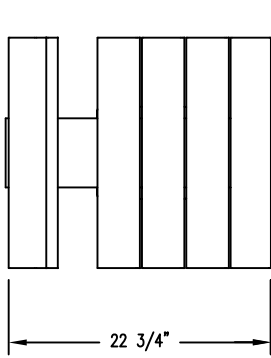
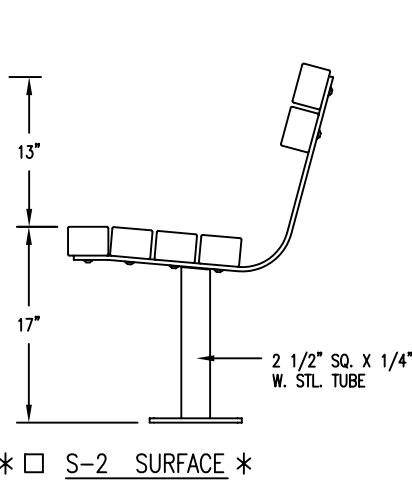
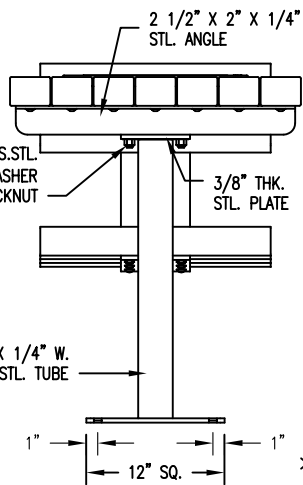
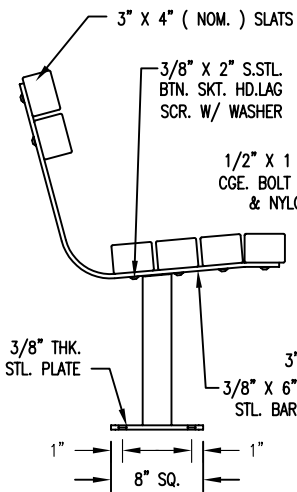


* □ S-4 SUB FLOOR *
(SEE NOTES)



S-1 EMBEDMENT



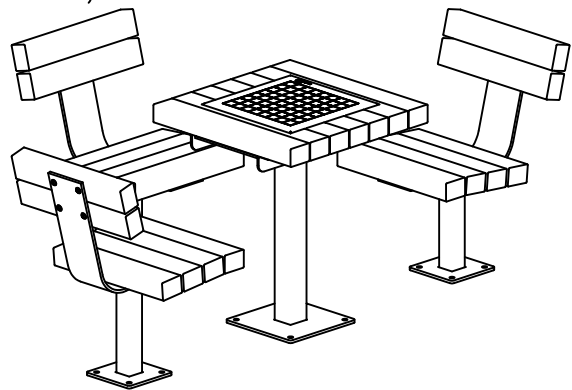
* □ S-2 SURFACE *
AS SHOWN ABOVE
(SEE NOTES)

WOOD OPTIONS

- 'C' & BTR. DOUGLAS FIR KD S4S EE
- IPE S4S EE
- OTHER _____

NOTES

- 1.) ALL STL. MEMBERS COATED W/ ZINC RICH EPOXY THEN FINISHED W/ POLYESTER POWDER COATING.
 - 2.) ALL WOOD MEMBERS TREATED W/ CLEAR PRESERVATIVE.
 - 3.) 1/2" X 3 3/4" EXPANSION ANCHOR BOLTS PROVIDED FOR OPTIONS S-2, AND S-4.
- * UPCHARGE APPLIES TO SUPPORT OPTION - CONSULT YOUR LOCAL REPRESENTATIVE.

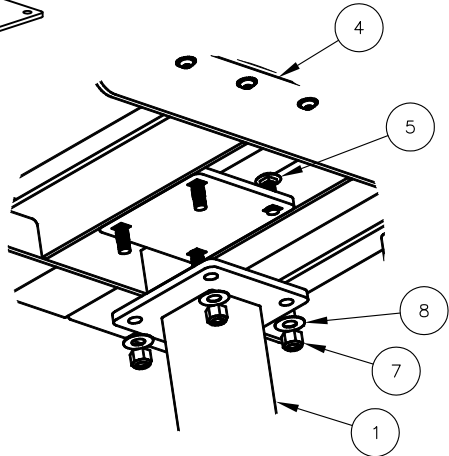
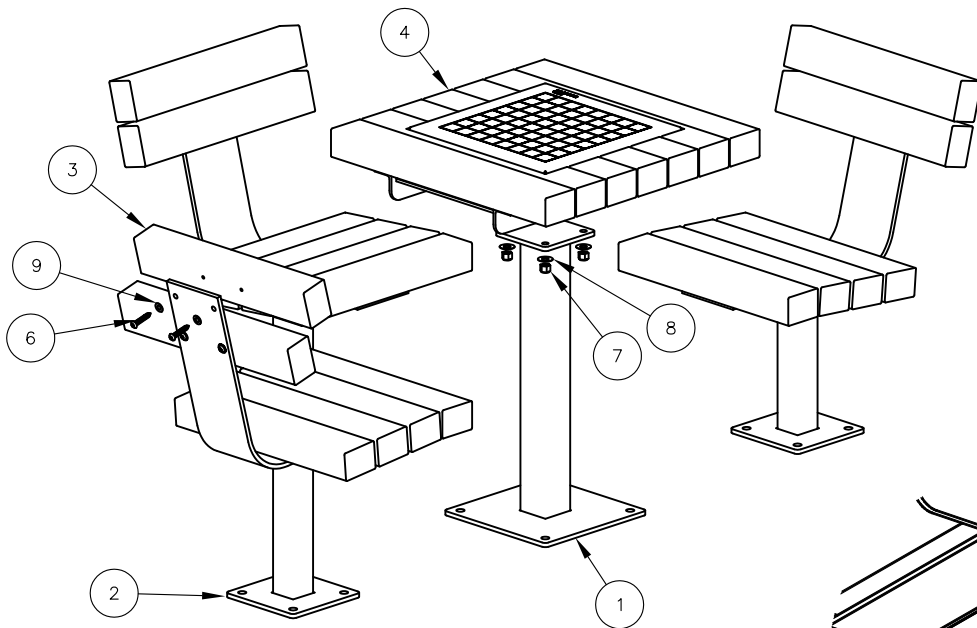


DuMor, inc.
P.O. Box 142 Mifflintown, PA 17059-0142

SCALE : NONE
DATE DRAWN : 12/10/06
DRAWN BY : JSB
DATE REV. : 10/27/11
REV. BY : ESS

TITLE : GAME TABLE
REV. G
DRAWING NUMBER 78-33

SHEET 1 OF 2



NOTE:

- 1.) DURING ASSEMBLY PROCEDURE;
DO NOT COMPLETELY TIGHTEN HARDWARE.
- 2.) THE ACTUAL PARTS WILL NOT BE NUMBERED;
NUMBERS ONLY APPLY TO DRAWING.
- 3.) SEE SPEC. SHEET 1 FOR MOUNTING OPTION.
- 4.) TABLE TOP SHIPPED FULLY ASSEMBLED.

STEP 1:

USE 3 - PCS. SEAT SUPPORT FOR SURFACE MOUNT (2)
 18 - PCS. 3" X 4" X 20" SEAT SLAT (3)
 36 - PCS. 3/8" X 2" SS. BTN. SKT. HD. LAG SCR. (6)
 36 - PCS. 3/8" SS. FLAT WASHER (9)
 ATTACH 3" X 4" X 20" SEAT SLATS (3) TO SEAT SUPPORT
 FOR SURFACE MOUNT (2) USING HARDWARE (6 & 9).
 TIGHTEN TO SNUG FIT. REPEAT UNTIL ALL SLATS ARE ATTACHED.

STEP 3:

UPON COMPLETION OF SEAT & TABLE ASSEMBLY SQUARE
 ALL COMPONENTS THEN TIGHTEN ALL HARDWARE.

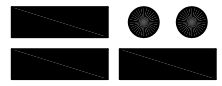
STEP 4:

MOUNT AND ANCHOR AS SPECIFIED.

STEP 2:

USE 1 PC. TABLE SUPPORT FOR SURFACE MOUNT (1)
 1 PC. TABLE TOP ASSEMBLY W/ CHECKERBOARD (4)
 4 PCS. 1/2" X 1 1/2" SS CGE. BOLT (5)
 4 PCS. 1/2" SS NYLON LOCK NUT (7)
 8 PCS. 1/2" SS FLAT WASHER (8)
 ATTACH TABLE TOP ASSEMBLY W/ CHECKERBOARD (4) TO
 TABLE SUPPORT FOR SURFACE MOUNT (1) USING HARDWARE
 (5, 7 & 8). TIGHTEN TO SNUG FIT.

| ITEM | QTY | PART NO | DESCRIPTION |
|------|-----|----------------|---------------------------------|
| 1 | 1 | 0-78-00-01/S-2 | TABLE SUPPORT FOR SURFACE MOUNT |
| 2 | 3 | 0-78-00-02/S-2 | SEAT SUPPORT FOR SURFACE MOUNT |
| 3 | 18 | 0-78-00-04 | 3" X 4" X 20" SEAT SLAT |
| 4 | 1 | 0-78-30 | TABLE TOP ASSEMBLY W/ CKRBD |
| 5 | 4 | 1-11-042 | 1/2" X 1 1/2" SS CGE BOLT |
| 6 | 36 | 1-13-016 | 3/8" X 2" SS BTN SKT HD LAG SCR |
| 7 | 4 | 1-20-015 | 1/2" SS NYLON LOCKNUT |
| 8 | 4 | 1-22-015 | 1/2" SS FLAT WASHER |
| 9 | 36 | 1-22-024 | 3/8" SS FLAT WASHER |

| | | | | |
|--|--------------|----------|--------------------------------|--------------------------------|
|  DuMor, inc. P.O. Box 142 Mifflintown, PA 17059-0142 | SCALE : | NONE | TITLE : GAME TABLE ASSEMBLY | |
| | DATE DRAWN : | 12/10/06 | | |
| | DRAWN BY : | JSB | REV. | DRAWING NUMBER 78-33 |
| | DATE REV. : | 03/30/11 | E | |
| REV. BY : | ESS | | | |