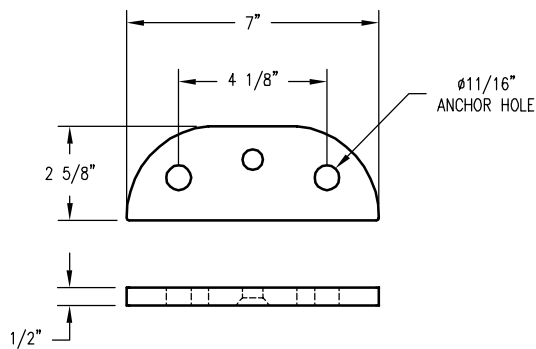


NOTES

- 1.) ALL STL. MEMBERS COATED W/ ZINC RICH EPOXY THEN FINISHED W/ POLYESTER POWDER COATING.
- 2.) ALL WOOD MEMBERS TREATED W/ CLEAR PRESERVATIVE.
- 3.) 1/2" X 3 3/4" EXPANSION ANCHOR BOLTS PROVIDED.
- 4.) (2) SURFACE MOUNT PLATES PROVIDED (SEE DETAIL).
- 5.) BENCH MUST BE ANCHORED.



SURFACE MOUNT PLATE DETAIL

PARTS LIST

ITEM	QTY	PART NO	DESCRIPTION
1	2	0-275-00-09/S-2	1/2" THK STL SURFACE MOUNT PLATE
2	1	0-278-30	30" RAD SEAT ASSEMBLY, WOOD
3	1	0-278-30-05	30" RAD BACKREST ASSEMBLY, WOOD
4	4	1-11-007	3/8" X 3" SS CGE BOLT
5	2	1-12-074	1/2" X 1 1/2" SS FLT SKT HD CAP
6	4	1-20-007	3/8" SS NYLON LOCKNUT
7	4	1-22-024	3/8" SS FLAT WASHER

NOTES:

- 1.) DURING ASSEMBLY PROCEDURE; DO NOT COMPLETELY TIGHTEN HARDWARE.
- 2.) THE ACTUAL PARTS WILL NOT BE NUMBERED. NUMBERS ONLY APPLY TO DRAWING.
- 3.) UPON COMPLETION OF ASSEMBLY SQUARE ALL COMPONENTS THEN TIGHTEN ALL HARDWARE.
- 4.) MOUNT AND ANCHOR AS SPECIFIED.

TOOLS REQ'D

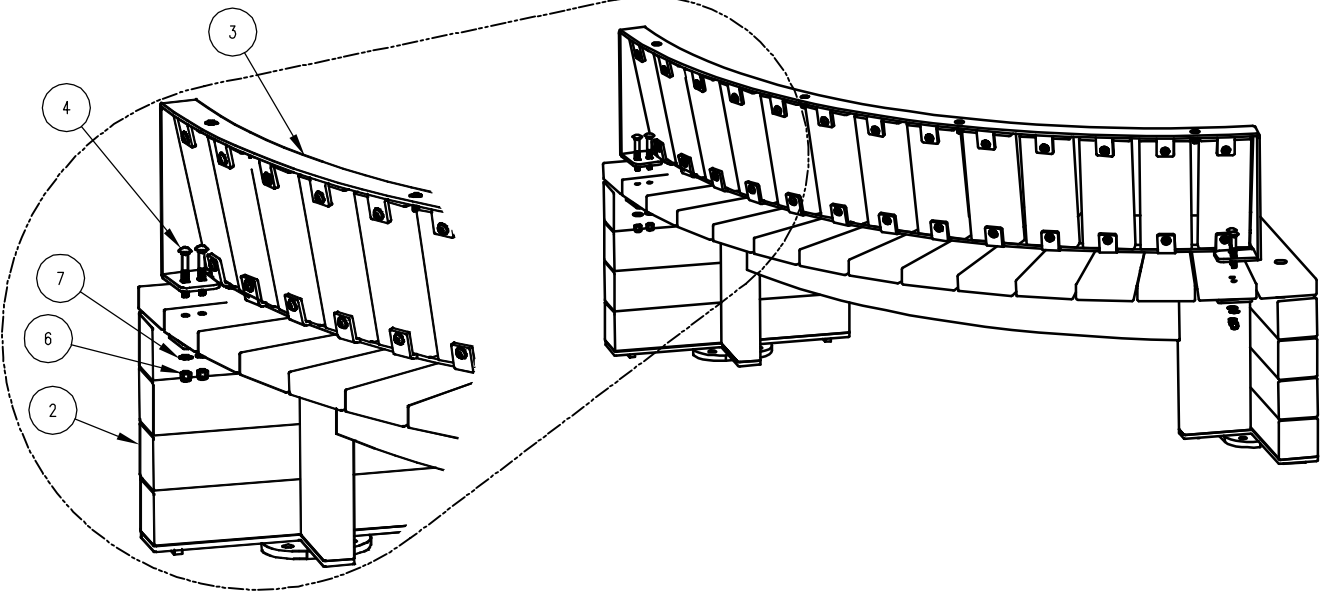
- 5/16" ALLEN WRENCH
- 9/16" WRENCH
- 3/4" WRENCH
- 1/2" MASONRY DRILL BIT
- DRILL

KITS PROVIDED

ITEM	QTY	PART NO	DESCRIPTION
8	1	K-ANC0860-4	1/2" X 3 3/4" SS ANCHOR KIT (4PC)
9	1	K-CG0648-4L	3/8" CGE BOLT HARDWARE KIT W/ LOCKNUT(4PC)
10	1	K-FC0824-2	1/2" CAP HARDWARE KIT (2 PCS)

NOTE: BENCH MUST BE ANCHORED.

① ATTACH BACKREST TO SEAT.



SURFACE MOUNT PLATE INSTALLATION

