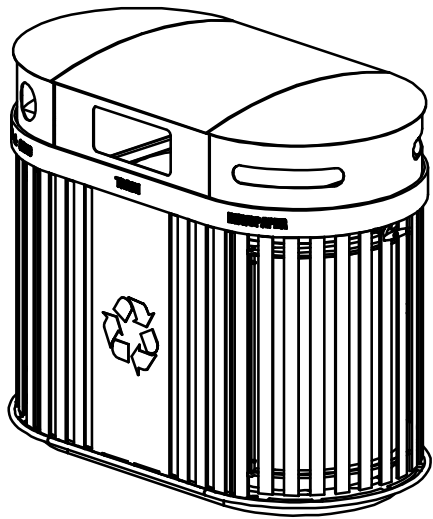
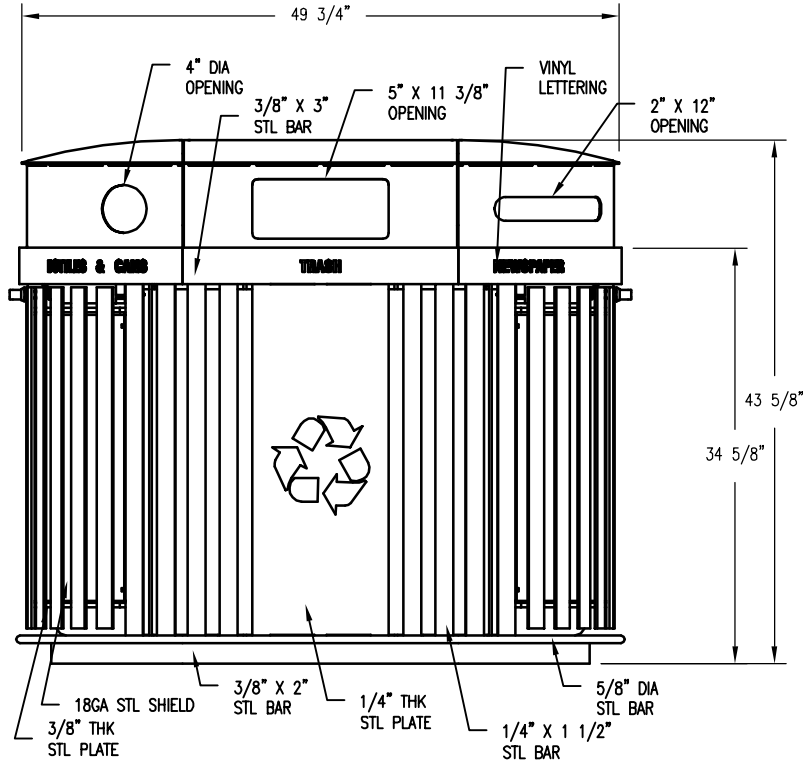


LETTERING LAYOUT
 BOTTLES & CANS (20 GAL)
 TRASH (32 GAL)
 NEWSPAPER (20 GAL)



COVER NUMBERS

- 0-435-EC-02 ((2) 4" OPENING)
- 0-435-MC-07 ((2) 5" X 11 3/8" OPENING)
- 0-435-EC-03 ((2) 2" X 12" OPENING)

NOTES

- 1.) ALL STL. MEMBERS COATED W/ ZINC RICH EPOXY THEN FINISHED W/ POLYESTER POWDER COATING.
- 2.) 1/2" X 3 3/4" EXPANSION ANCHOR BOLTS PROVIDED (QTY 4).
- 3.) ENDS OF RECYCLING UNIT HINGE FOR REMOVAL OF LINERS.

PARTS LIST

ITEM	QTY	PART NO	DESCRIPTION
1	1	0-434-72SH-0001	72 GAL RECYCLING RECEIPT ASSEMBLY W. SHEILDS
2	2	49-20H	20 GAL HALF ROUND LINER (ANDURAN CO)
3	1	49-32	32 GAL PL LINER W/ HANDLE, BLK

KITS PROVIDED

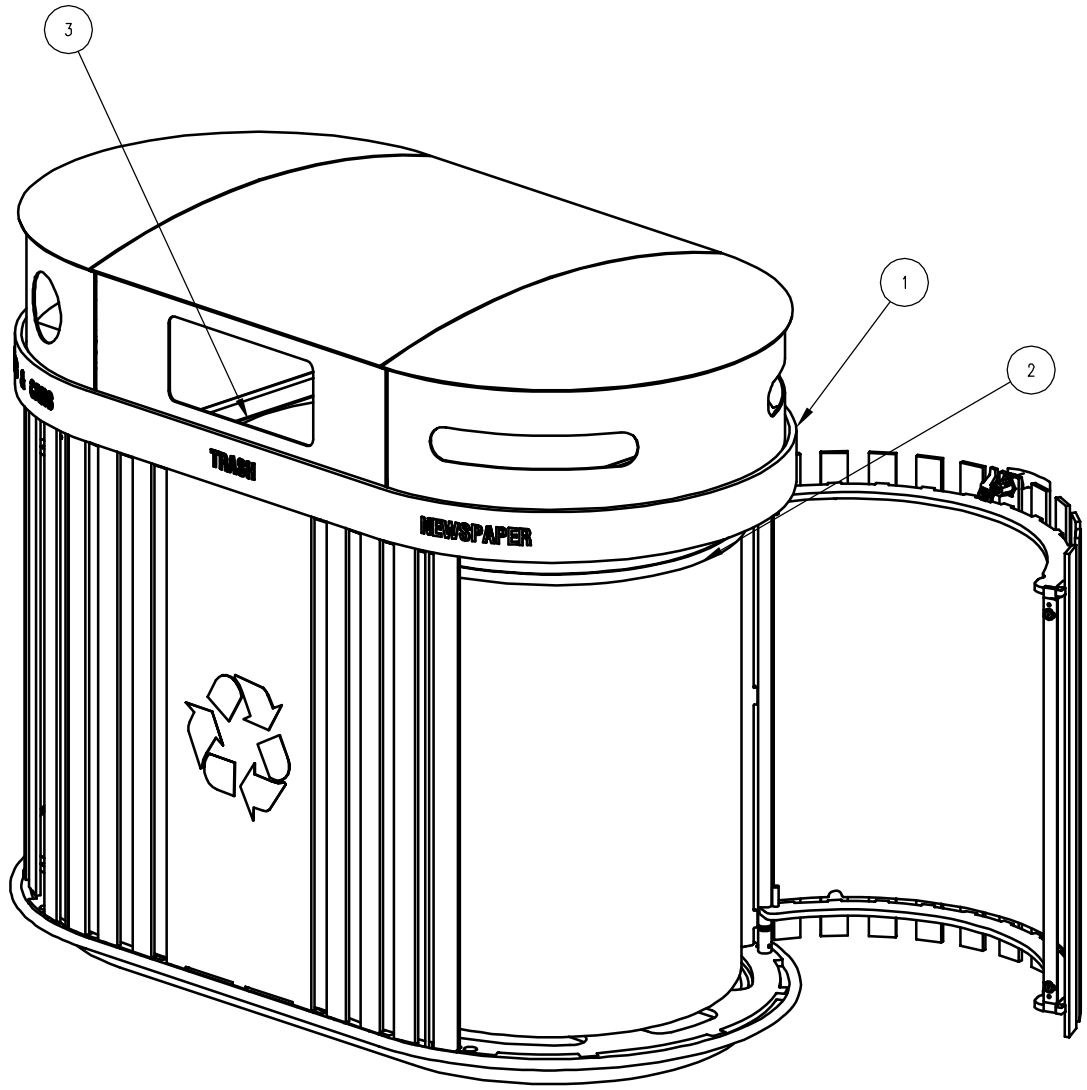
ITEM	QTY	PART NO	DESCRIPTION
4	1	K-ANCO860-4	1/2" X 3 3/4" SS ANCHOR KIT (4PC)

NOTES:

- 1.) THE ACTUAL PARTS WILL NOT BE NUMBERED. NUMBERS ONLY APPLY TO DRAWING.
- 2.) MOUNT AND ANCHOR AS SPECIFIED.

TOOLS REQ'D

- 3/4" WRENCH
 1/2" MASONRY DRILL BIT
 DRILL



ASSEMBLY INSTRUCTIONS

DATE DRAWN : 10/24/11
 DRAWN BY : JSB
 DATE REV. :
 REV. BY :

REV. A

DRAWING NUMBER 435-72SH-0001

SHEET 2 OF 2