

SLAT OPTIONS

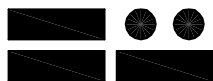
- "CEDAR" RECYCLED PLASTIC
- "GREY" RECYCLED PLASTIC
- "REDWOOD" RECYCLED PLASTIC
- "WALNUT" RECYCLED PLASTIC
- OTHER \_\_\_\_\_

FINISH OPTIONS

- MILL FINISH ( STANDARD )
- COATED ( OPTIONAL - UPCHARGE APPLIES PLEASE CONSULT YOUR LOCAL REPRESENTATIVE )

NOTES:

- 1.) 1/4" X 1 1/2" HAMMERSET ANCHORS PROVIDED.



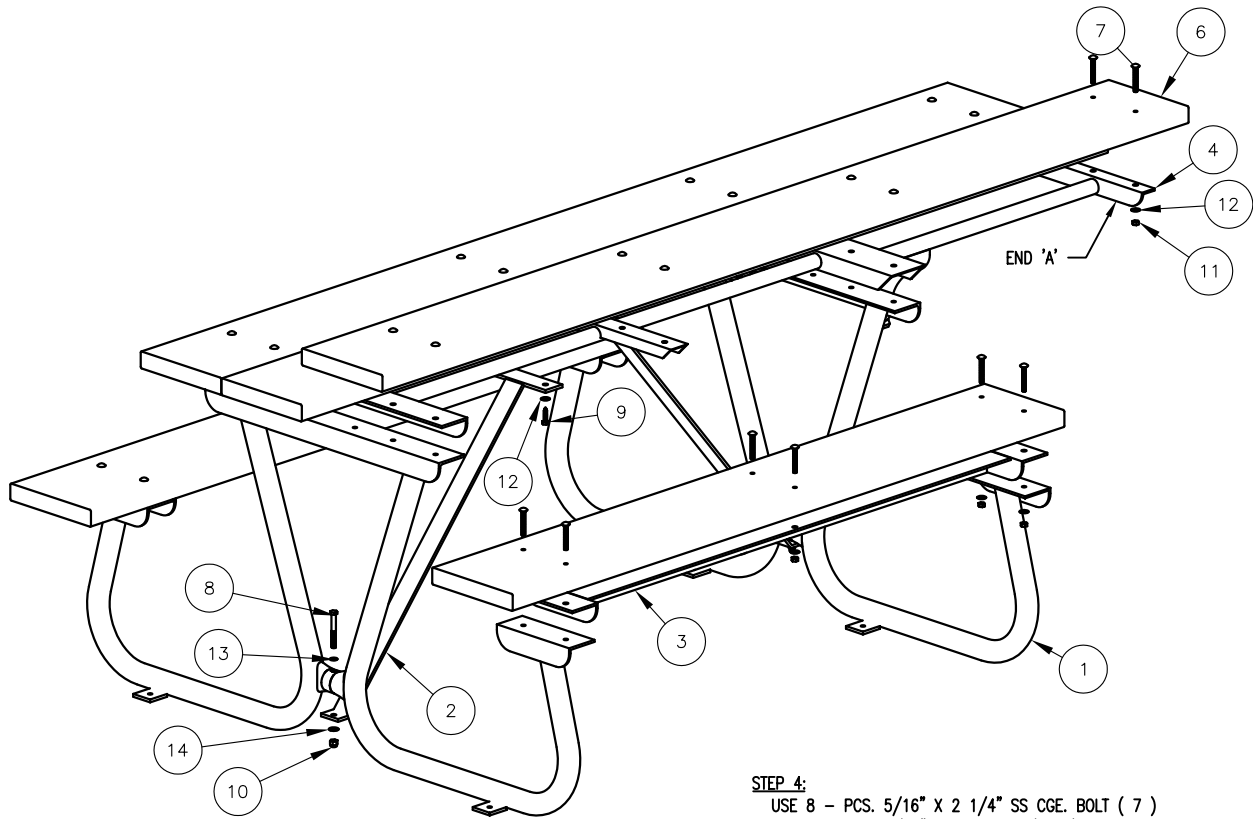
**DuMor, inc.**

P.O. Box 142 Mifflintown, PA 17059-0142

SCALE :	NONE
DATE DRAWN :	11/25/02
DRAWN BY :	JSB
DATE REV. :	11/01/11
REV. BY :	RDH

TITLE :	PICNIC TABLE	
REV.	DRAWING NUMBER	156-68-1PL
F		

SHEET  
1 OF 3



**NOTE:**

- 1.) DURING ASSEMBLY PROCEDURE;  
DO NOT COMPLETELY TIGHTEN HARDWARE.
- 2.) THE ACTUAL PARTS WILL NOT BE NUMBERED;  
NUMBERS ONLY APPLY TO DRAWING.
- 3.) SEE SPEC. SHEET 1 FOR MOUNTING DETAILS.

**STEP 1:**

USE 3 - PCS. 2" X 10" X 95" PLASTIC SLATS ( 6 )  
 1 - PC. ALUM TABLE TOP BRACE, HANDICAPPED ( 4 )  
 12 - PCS. 5/16" X 2 1/4" SS CGE. BOLT ( 7 )  
 12 - PCS. 5/16" SS HEX NUT ( 11 )  
 12 - PCS. 5/16" SS FLAT WASHER ( 12 )  
 2 - PCS. 3/8" X 1 1/2" SWIVEL GLIDE ( 15 )  
 ATTACH 2" X 10" X 95" PLASTIC SLATS ( 6 ) TO CENTER  
 AND TO END MARKED "A" OF ALUM TABLE TOP BRACE,  
 HANDICAPPED ( 4 ) USING HARDWARE ( 7, 11, & 12 ).  
 TIGHTEN TO SNUG FIT. REPEAT UNTIL ALL SLATS  
 ARE ATTACHED. ATTACH HARDWARE ( 15 ) TO  
 ALUM TABLE TOP BRACE AS SHOWN ON DETAIL.

**STEP 2:**

USE 2 - PCS. ALUM END SUPPORT FRAME ( 1 )  
 12 - PCS. 5/16" X 2 1/4" SS CGE. BOLT ( 7 )  
 12 - PCS. 5/16" SS HEX NUT ( 11 )  
 12 - PCS. 5/16" SS FLAT WASHER ( 12 )  
 ATTACH ALUM END SUPPORT FRAME ( 1 ) TO STEP 1  
 ASSEMBLY USING HARDWARE ( 7, 11, & 12 ).  
 TIGHTEN TO SNUG FIT.

**STEP 3:**

USE 2 - PCS. 2" X 10" X 65" PLASTIC SLATS ( 5 )  
 2 - PCS. 6' ALUM SEAT BRACE ( 3 )  
 4 - PCS. 5/16" X 2 1/4" SS CGE. BOLT ( 7 )  
 4 - PCS. 5/16" SS HEX NUT ( 11 )  
 4 - PCS. 5/16" SS FLAT WASHER ( 12 )  
 ATTACH 2" X 10" X 65" PLASTIC SLATS ( 5 ) TO  
 CENTER OF 6' ALUM SEAT BRACE ( 3 ) USING  
 HARDWARE ( 7, 11, & 12 ). TIGHTEN TO SNUG  
 FIT.

**STEP 4:**

USE 8 - PCS. 5/16" X 2 1/4" SS CGE. BOLT ( 7 )  
 8 - PCS. 5/16" SS HEX NUT ( 11 )  
 8 - PCS. 5/16" SS FLAT WASHER ( 12 )  
 ATTACH STEP 3 ASSEMBLY TO STEP 2 ASSEMBLY  
 USING HARDWARE ( 7, 11, & 12 ). TIGHTEN TO  
 SNUG FIT.

**STEP 5:**

USE 2 - PCS. ALUM "T" BRACE ( 2 )  
 2 - PCS. 3/8" X 3" SS HEX HD CAP SCR. ( 8 )  
 4 - PCS. 5/16" X 1 1/4" SS HEX HD LAG SCR. ( 9 )  
 2 - PCS. 3/8" SS NYLON LOCK NUT ( 10 )  
 4 - PCS. 5/16" SS FLAT WASHER ( 12 )  
 2 - PCS. 3/8" ID X 5/8" OD RUBBER WASHER ( 13 )  
 2 - PCS. 3/8" SS FLAT WASHER ( 14 )  
 SQUARE STEP 4 ASSEMBLY THEN ATTACH ALUM "T"  
 BRACE ( 2 ) USING HARDWARE ( 8, 9, 10, 12, 13, &  
 14 ). NO PILOT HOLES FOR 5/16" X 1 1/4" SS  
 HEX HD LAG SCR. ( 9 ).

**STEP 6:**

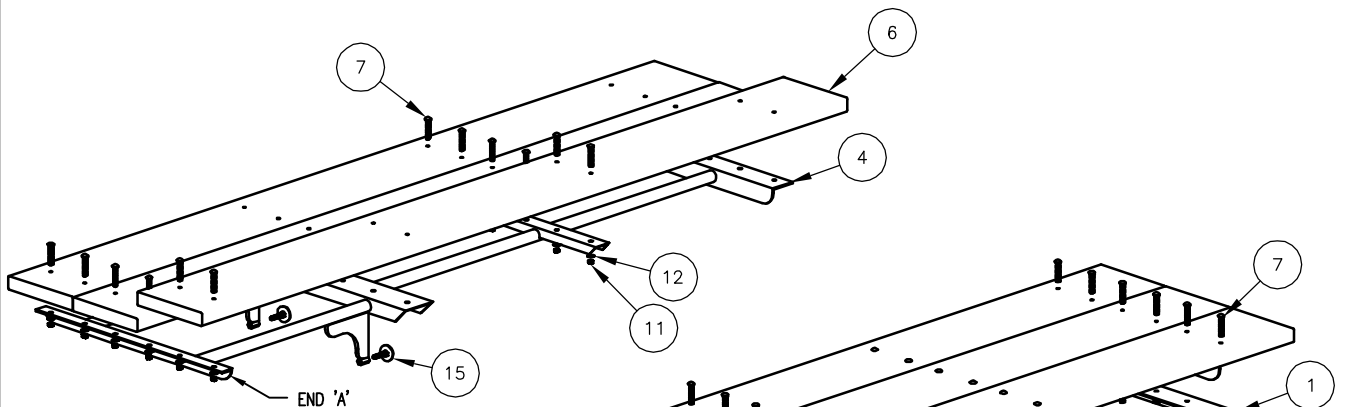
UPON COMPLETION OF TABLE ASSEMBLY  
 TIGHTEN ALL HARDWARE. ONCE HARDWARE IS  
 TIGHTENED, ADJUST GLIDE TO INSURE MINIMAL  
 FLEX ON TABLE OVERHANG.

ITEM	QTY	PART NO	DESCRIPTION
1	2	0-156-00-01	ALUM END SUPPORT FRAME
2	2	0-156-00-02	ALUM "T" BRACE
3	2	0-156-60-14	6' ALUM SEAT BRACE
4	1	0-156-68-1-15	ALUM TABLE TOP BRACE, HANDICAPPED
5	2	0-71-68-1PL-1	2" X 10" X 65" PLASTIC SLAT
6	3	0-71-68-1PL-2	2" X 10" X 95" PLASTIC SLAT
7	36	1-11-062	5/16" X 2 1/4" SS CGE BOLT
8	2	1-12-002	3/8" X 3" SS HEX HD CAP SCR
9	4	1-13-001	5/16" X 1 1/4" SS HEX HD LAG SCR
10	2	1-20-007	3/8" SS NYLON LOCKNUT
11	36	1-21-015	5/16" SS HEX NUT
12	40	1-22-017	5/16" SS FLAT WASHER
13	2	1-22-018	3/8" ID X 5/8" OD RUBBER WASHER
14	2	1-22-024	3/8" SS FLAT WASHER
15	2	5-48-076	3/8" X 1 1/2" SWIVEL GLIDE

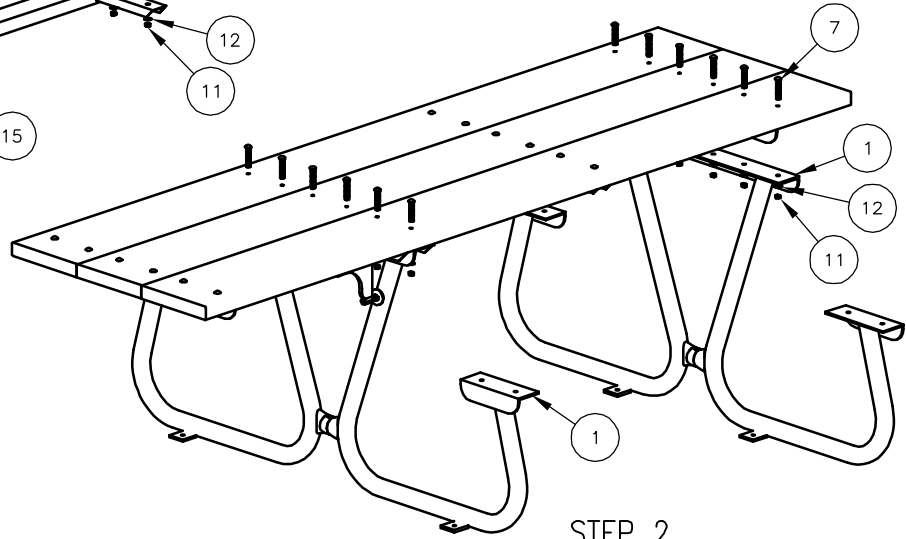
**DuMor, inc.**  
 P.O. Box 142 Mifflintown, PA 17059-0142

SCALE : NONE  
 DATE DRAWN : 11/25/02  
 DRAWN BY : JSB  
 DATE REV. : 11/01/11  
 REV. BY : RDH

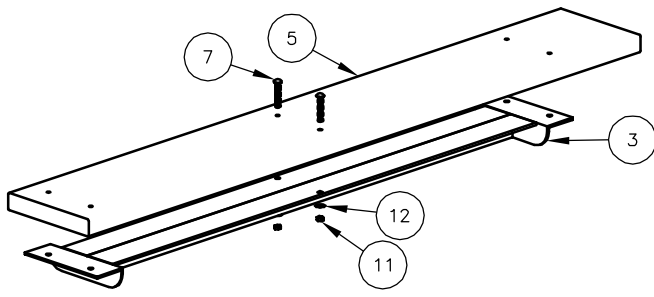
TITLE : PICNIC TABLE ASSEMBLY  
 REV. F  
 DRAWING NUMBER 156-68-1PL  
 SHEET 2 OF 3



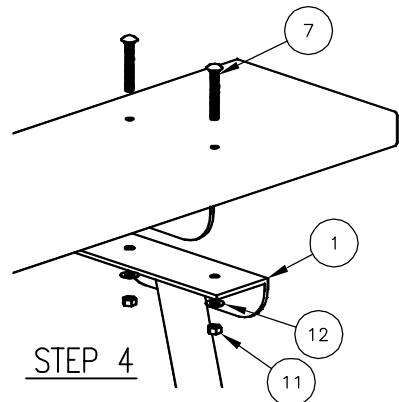
STEP 1



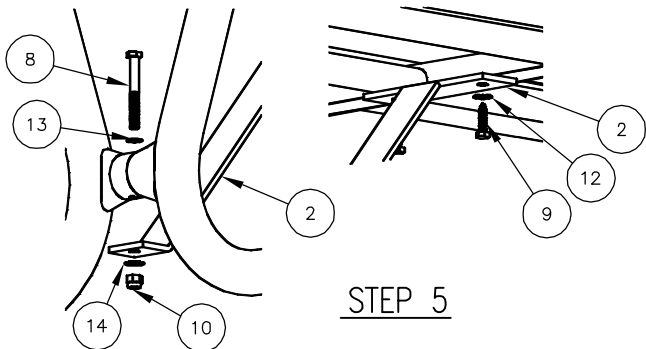
STEP 2



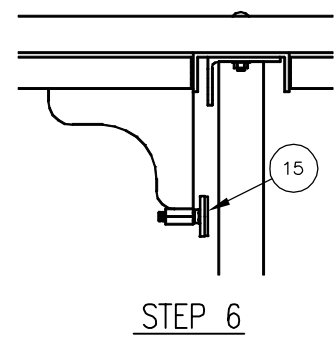
STEP 3



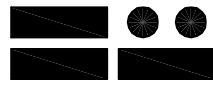
STEP 4



STEP 5



STEP 6



**DuMor, inc.**  
 P.O. Box 142 Mifflintown, PA 17059-0142

SCALE : NONE  
 DATE DRAWN : 11/25/02  
 DRAWN BY : JSB  
 DATE REV. : 11/01/11  
 REV. BY : RDH

TITLE : PICNIC TABLE ASSEMBLY  
 REV. F  
 DRAWING NUMBER 156-68-1PL  
 SHEET 3 OF 3