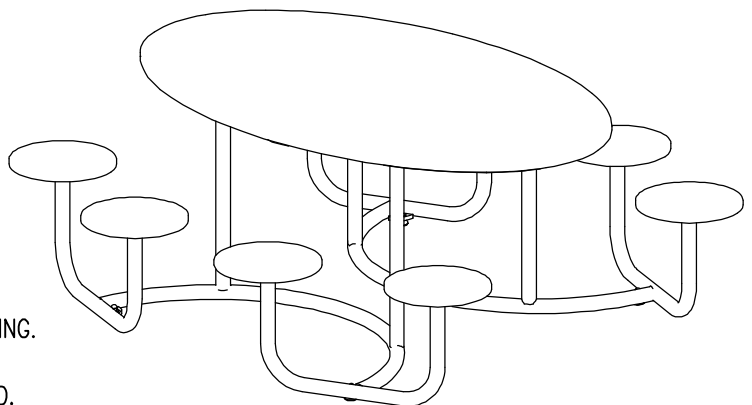


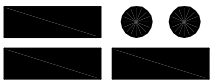
PLASTIC OPTIONS

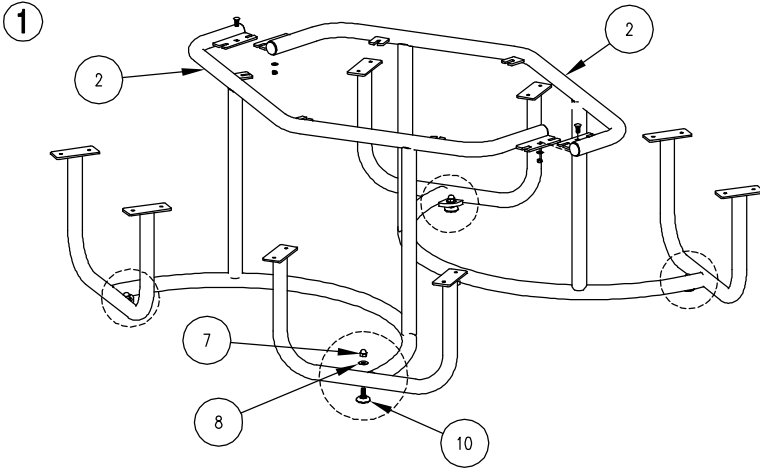
- "CEDAR" RECYCLED PLASTIC
- "GREY" RECYCLED PLASTIC
- "REDWOOD" RECYCLED PLASTIC
- "WALNUT" RECYCLED PLASTIC
- OTHER _____

NOTES:

- 1.) ALL STL. MEMBERS COATED W/ ZINC RICH EPOXY THEN FINISHED W/ POLYESTER POWDER COATING.
- 2.) 1/2" X 1" NYLON GLIDES & 1/2" X 3 3/4" EXPANSION ANCHOR BOLTS PROVIDED.



 DuMor, inc. P.O. Box 142 Mifflintown, PA 17059-0142	SCALE :	NONE	TITLE :		TABLE
	DATE DRAWN :	9/24/10	REV.	DRAWING NUMBER	198-80PL
	DRAWN BY :	JSB	E		
	DATE REV. :	12/15/11			
	REV. BY :	RDH			SHEET 1 OF 2



GLIDE ATTACHMENT

1A: ATTACH 1/2" X 1" GLIDES USING HARDWARE (7, 8, & 10). TIGHTEN TO SNUG FIT. REPEAT UNTIL ALL GLIDES ARE ATTACHED AT CIRCLED LOCATIONS.

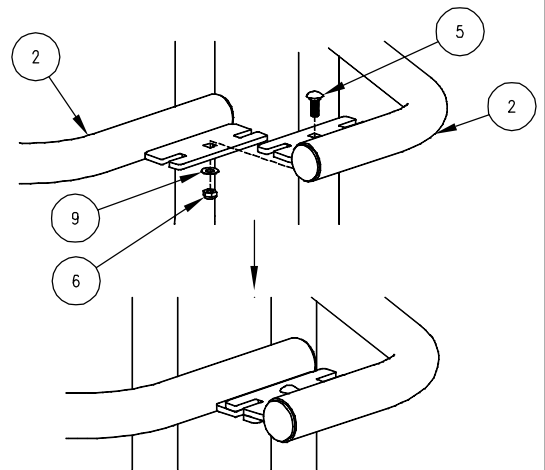
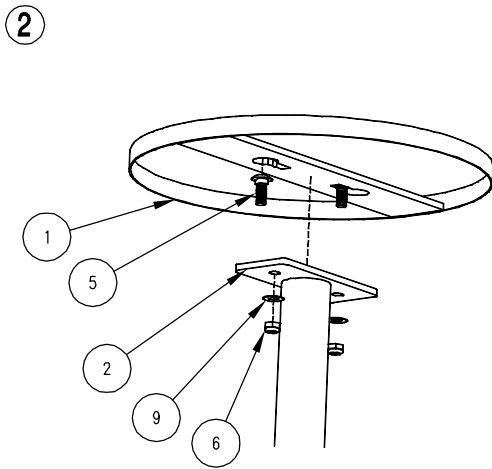


TABLE FRAME BOLTING DETAIL

1B: BOLT BOTH ENDS OF STL TABLE SUPPORT FRAME FOR 8 SEATS (2) TOGETHER USING HARDWARE (5, 6, & 9). BE SURE TO PLACE THE "TOP" BOLT PLATE (LABELED WITH "TOP" STICKER) OVER THE LOWER BOLT PLATE ON EACH END OF SUPPORT FRAME (2). TIGHTEN TO SNUG FIT.



SEAT BOLTING

2A: ATTACH 14" DIA STL SEAT (1) TO STEP 1 ASSEMBLY USING HARDWARE (5, 6, & 9). TIGHTEN TO SNUG FIT. REPEAT UNTIL ALL 14" DIA STL SEATS ARE ATTACHED.

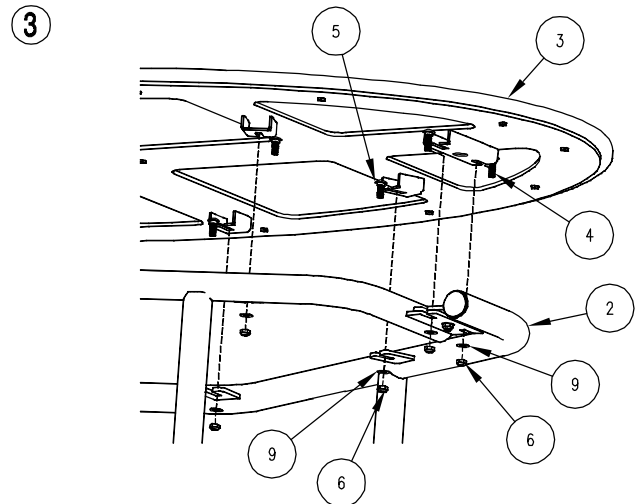


TABLE TOP BOLTING

3A: ATTACH PLASTIC TABLE TOP ASSEMBLY (3), TO TABLE SUPPORT FRAME (2) USING HARDWARE (4, 5, 6, & 9). TIGHTEN TO SNUG FIT.

4A: UPON COMPLETION OF TABLE ASSEMBLY SQUARE ALL COMPONENTS THEN TIGHTEN ALL HARDWARE.

NOTES:

1.) THE ACTUAL PARTS WILL NOT BE NUMBERED; NUMBERS ONLY APPLY TO DRAWING.

ITEM	QTY	PART NO	DESCRIPTION
1	8	0-198-00-02	14" DIA STL SEAT
2	2	0-198-80-01	STL TABLE SUPPORT FRAME FOR 8 SEATS
3	1	0-198-80PL	OVAL TABLE TOP ASSEMBLY, PLASTIC
4	4	1-11-019	3/8" X 1 1/4" SS CGE BOLT
5	24	1-11-028	3/8" X 1" SS CGE BOLT

ITEM	QTY	PART NO	DESCRIPTION
6	28	1-20-019	3/8" SS THIN NYLON LOCKNUT
7	4	1-21-019	1/2" SS HEX ACORN NUT
8	4	1-22-015	1/2" SS FLAT WASHER
9	28	1-22-024	3/8" SS FLAT WASHER
10	4	5-48-096	1/2" X 1" SWIVEL GLIDE

DuMor, inc.
 P.O. Box 142 Mifflintown, PA 17059-0142

SCALE : NONE
 DATE DRAWN : 9/24/10
 DRAWN BY : JSB
 DATE REV. : 12/15/11
 REV. BY : RDH

TITLE : TABLE DETAIL
 REV. E
 DRAWING NUMBER 198-80PL