

WOOD OPTIONS

- C' & BTR. DOUGLAS FIR KD S4S EE
- IPE S4S EE
- OTHER _____

NOTES

- 1.) ALL STL. MEMBERS COATED W/ ZINC RICH EPOXY THEN FINISHED W/ POLYESTER POWDER COATING.
- 2.) ALL WOOD MEMBERS TREATED W/ CLEAR PRESERVATIVE.
- 3.) 1/2" x 3 3/4" EXPANSION ANCHOR BOLTS PROVIDED.
- 4.) CUSTOM LETTERING AVAILABLE FOR RECESSED SIDE PANELS (TOTAL OF 37 SPACES).

- CUSTOM LETTERING (37 SPACES) _____

- LENGTH OPTIONS**
- 6' BENCH
 - 8' BENCH



Dudmor, inc.

BENCH

DATE DRAWN : 06/06/01
DRAWN BY : CDC
DATE REV. : 00/00/00
REV. BY : XXX

REV. A	DRAWING NUMBER
--------	----------------

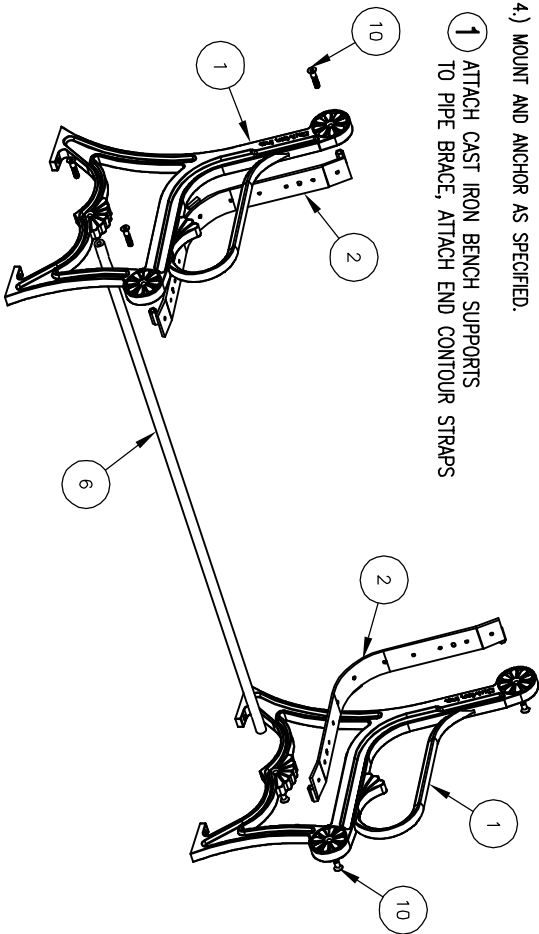
57 SERIES 3AR

NOTES:

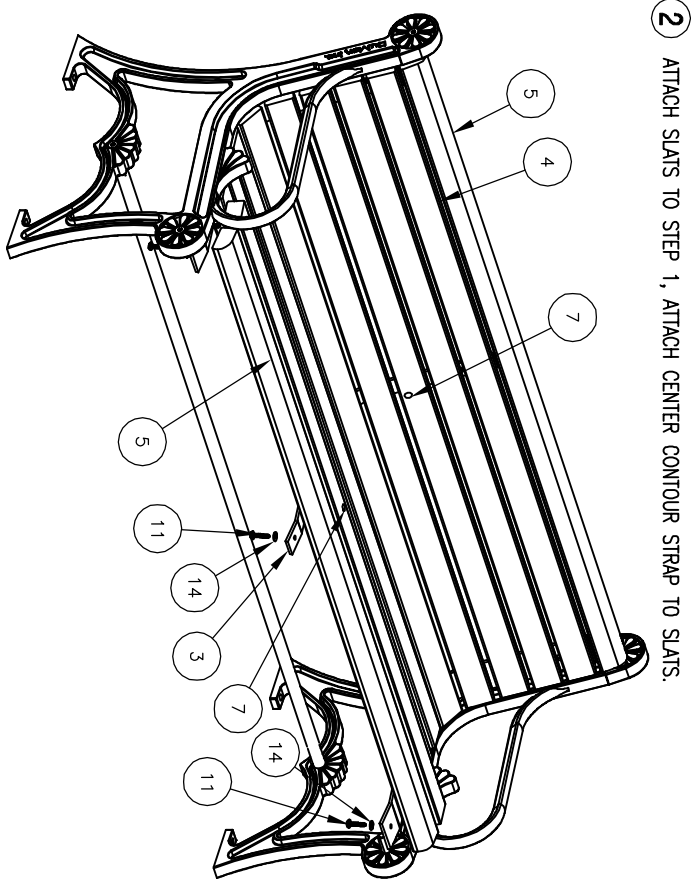
- 1.) DURING ASSEMBLY PROCEDURE: DO NOT COMPLETELY TIGHTEN HARDWARE.
- 2.) THE ACTUAL PARTS WILL NOT BE NUMBERED. NUMBERS ONLY APPLY TO DRAWING.
- 3.) UPON COMPLETION OF ASSEMBLY SQUARE ALL COMPONENTS THEN TIGHTEN ALL HARDWARE.
- 4.) MOUNT AND ANCHOR AS SPECIFIED.

TOOLS REQ'D

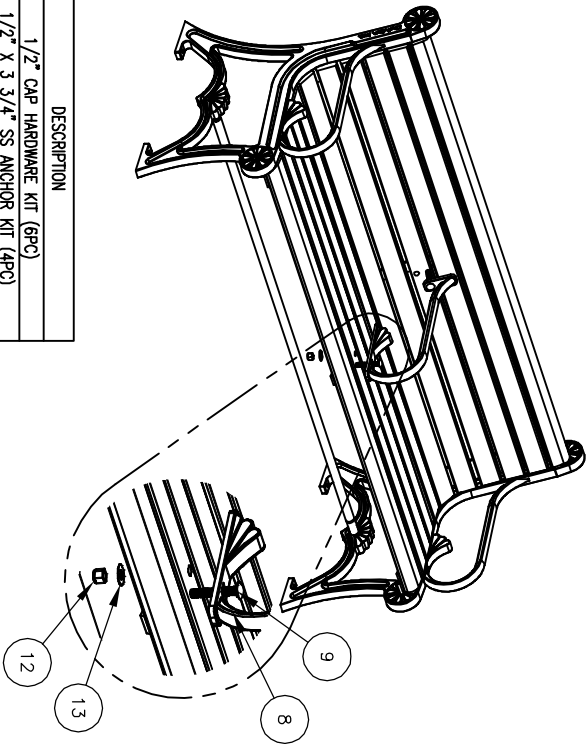
- 3/4" WRENCH
- 5/16" ALLEN WRENCH
- 1/4" ALLEN WRENCH
- 1/2" MASONRY DRILL BIT
- DRILL



3 ATTACH ARMREST TO STEP 2.



2 ATTACH SLATS TO STEP 1, ATTACH CENTER CONTOUR STRAP TO SLATS.



ITEM	QTY	PART NO	DESCRIPTION
16	1	K-FC0840-6	1/2" CAP HARDWARE KIT (6PC)
17	1	K-AN03860-4	1/2" X 3 3/4" SS ANCHOR KIT (4PC)
18	1	K-C03848-2L	1/2" CGE BOLT HARDWARE KIT
19	1	K-EL0524-33	5/16" LAG HARDWARE KIT (33PC)

KITS PROVIDED

ITEM	QTY	PART NO	DESCRIPTION
1	2	0-57-00-02	CAST IRON BENCH SUPPORT
2	2	0-57-00-05	END CONTOUR STRAP
3	1	0-57-00AR-03	CENTER STRAP FOR ARMREST
4	7	0-57-60-01	2" X 3" X 71" WOOD INTR SLAT
5	2	0-57-60-02	2" X 3" X 71" WOOD EDGE SLAT
6	1	0-57-60-04	71 3/4" PIPE BRACE
7	2	0-57-60-31	2" X 3" X 71" INT SLAT, WOOD, FOR CENTER ARMREST
8	1	0-58-00AR-03	CAST IRON BOLT ON ARMREST
9	2	1-11-044	1/2" X 3" SS CGE BOLT
10	6	1-12-065	1/2" X 2 1/2" FIT SKT HD CAP SCR
11	31	1-13-023	5/16" X 1 1/2" SS BIN SKT HD LAG
12	2	1-20-015	1/2" SS ANCON LOCKNUT
13	2	1-22-015	1/2" SS FLAT WASHER
14	31	1-22-017	5/16" SS FLAT WASHER

PARTS LIST

DUMOR, inc.

ASSEMBLY INSTRUCTIONS

DATE DRAWN : 09/29/08
 DRAWN BY : ESS
 DATE REV. : 00/00/00
 REV. BY : XXX

REV. A

DRAWING NUMBER

57 SERIES 3AR

SHEET 2 OF 2