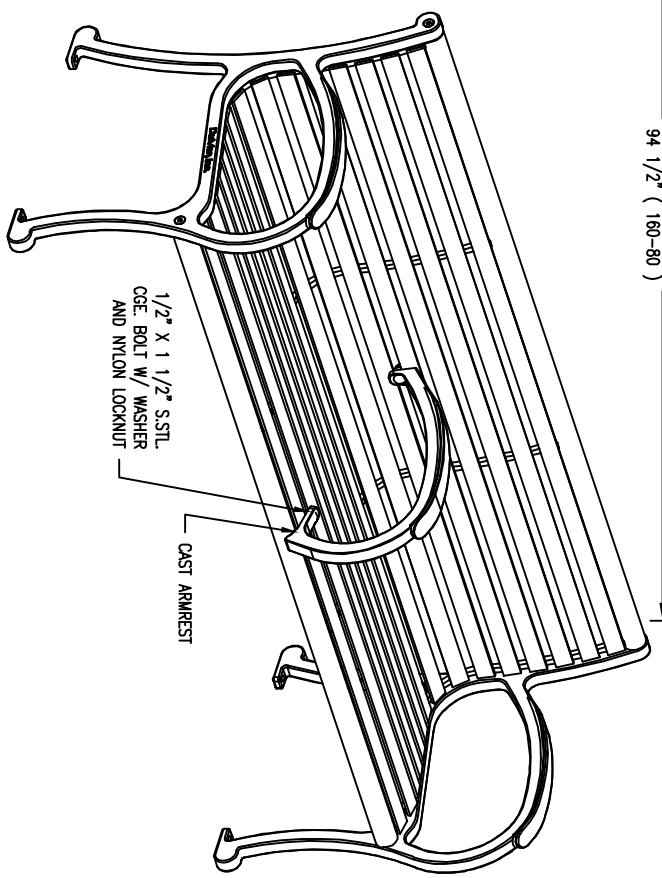


- LENGTH OPTIONS
- 6' BENCH
  - 8' BENCH

NOTES

- 1.) ALL STL. MEMBERS COATED W/ ZINC RICH COATING THEN POLYESTER POWDER COATED.
- 2.) BENCH IS SHIPPED UNASSEMBLED.
- 3.) 1/2" X 3 3/4" EXPANSION ANCHOR BOLTS PROVIDED.



BENCH

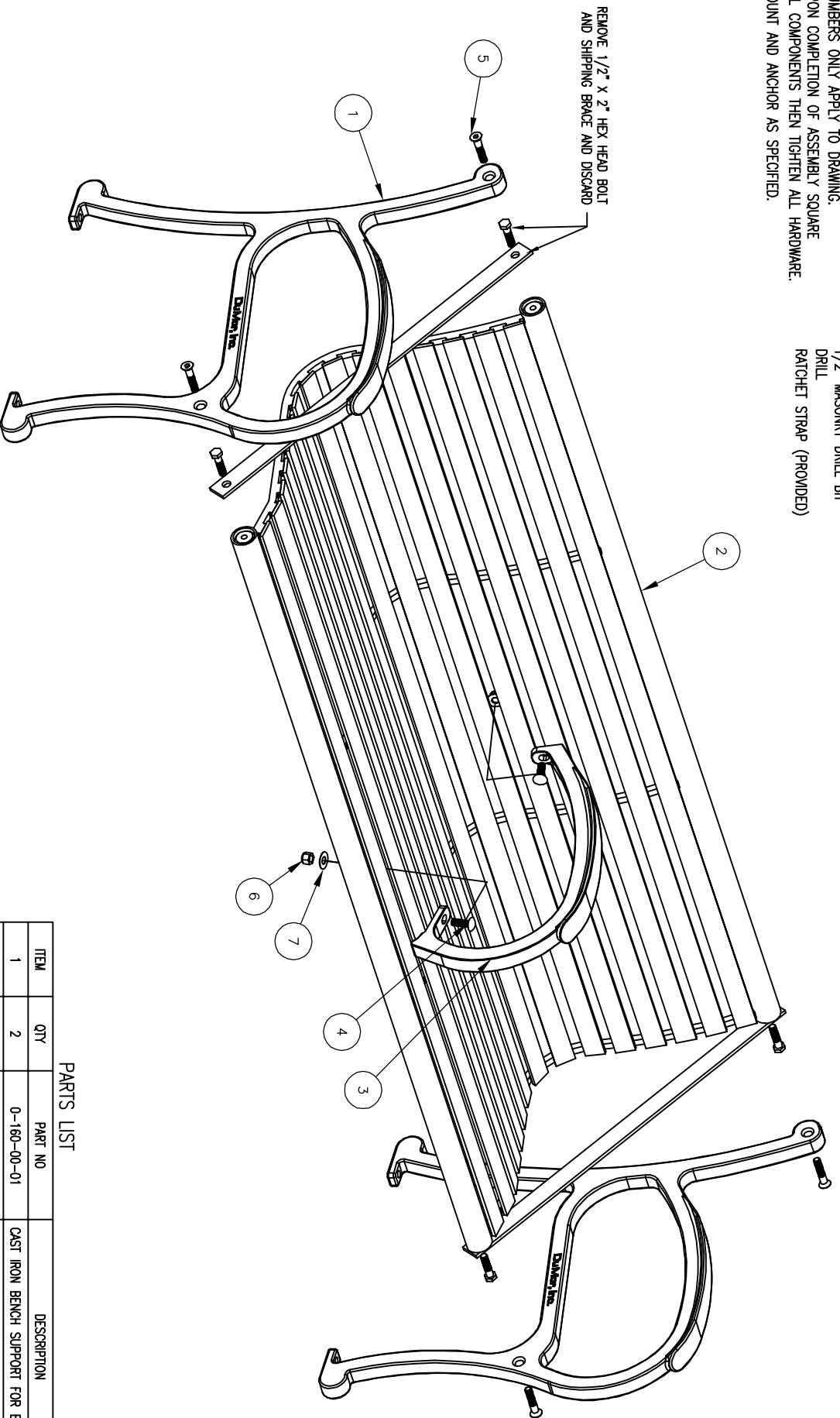
DATE DRAWN : 03/02/04
DRAWN BY : AMH
DATE REV. : 03/20/07
REV. BY : AMH

REV. B	DRAWING NUMBER
--------	----------------

160 SERIES-3AR

- NOTES:**
- 1.) DURING ASSEMBLY PROCEDURE: DO NOT COMPLETELY TIGHTEN HARDWARE.
  - 2.) THE ACTUAL PARTS WILL NOT BE NUMBERED. NUMBERS ONLY APPLY TO DRAWING.
  - 3.) UPON COMPLETION OF ASSEMBLY SQUARE ALL COMPONENTS THEN TIGHTEN ALL HARDWARE.
  - 4.) MOUNT AND ANCHOR AS SPECIFIED.

- TOOLS REQ'D**
- 3/4" WRENCH
  - 5/16" ALLEN WRENCH
  - 1/2" MASONRY DRILL BIT
  - DRILL
  - RATCHET STRAP (PROVIDED)



**PARTS LIST**

ITEM	QTY	PART NO	DESCRIPTION
1	2	0-160-00-01	CAST IRON BENCH SUPPORT FOR BACKREST
2	1	0-160-60-02	6" STL SEAT
3	1	0-160-00-03	CAST IRON ARM REST
4	2	1-11-042	1/2" X 1 1/2" SS CGE BOLT
5	4	1-12-065	1/2" X 2 1/2" FLI SKT HD CAP SCR
6	2	1-20-015	1/2" SS NYLON LOCKNUT
7	2	1-22-015	1/2" SS FLAT WASHER

**KITS PROVIDED**

ITEM	QTY	PART NO	DESCRIPTION
8	1	K-ANCO860-4	1/2" X 3 3/4" SS ANCHOR KIT (4PC)
9	1	K-CG0824-2L	1/2" CGE BOLT HARDWARE KIT (2PC)
10	1	K-FC0840-4	1/2" CAP HARDWARE KIT (4 PCS)



**ASSEMBLY INSTRUCTIONS**

DATE DRAWN : 03/02/04  
 DRAWN BY : AMH  
 DATE REV. : 03/20/2007  
 REV. BY : AMH

REV. B

DRAWING NUMBER

160 SERIES-3AR

SHEET 2 OF 2