

NOTES

- 1.) ALL STL. MEMBERS COATED W/ ZINC RICH EPOXY THEN FINISHED W/ POLYESTER POWDER COATING.
- 2.) ALL WOOD MEMBERS TREATED W/ CLEAR PRESERVATIVE.
- 3.) 1/2" X 3 3/4" EXPANSION ANCHOR BOLTS PROVIDED.

WOOD OPTIONS

- 'C' & BTR. DOUGLAS FIR KD S4S EE
- IPE S4S EE
- OTHER _____



BENCH

DATE DRAWN : 10/03/13
 DRAWN BY : RDH
 DATE REV. :
 REV. BY :

REV.
A

DRAWING NUMBER

473-60/S-5

SHEET
1 OF 2

NOTES:

- 1.) DURING ASSEMBLY PROCEDURE;
DO NOT COMPLETELY TIGHTEN HARDWARE.
- 2.) THE ACTUAL PARTS WILL NOT BE NUMBERED.
NUMBERS ONLY APPLY TO DRAWING.
- 3.) UPON COMPLETION OF ASSEMBLY SQUARE
ALL COMPONENTS THEN TIGHTEN ALL HARDWARE.
- 4.) MOUNT AND ANCHOR AS SPECIFIED.

TOOLS REQ'D

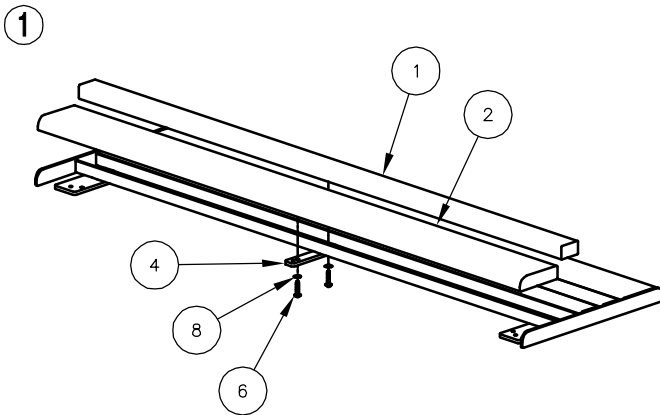
- | | |
|--------------------|------------------------|
| 3/16" ALLEN WRENCH | 3/4" WRENCH |
| 1/4" ALLEN WRENCH | 1/2" MASONRY DRILL BIT |
| 1/2" WRENCH | DRILL |

PARTS LIST

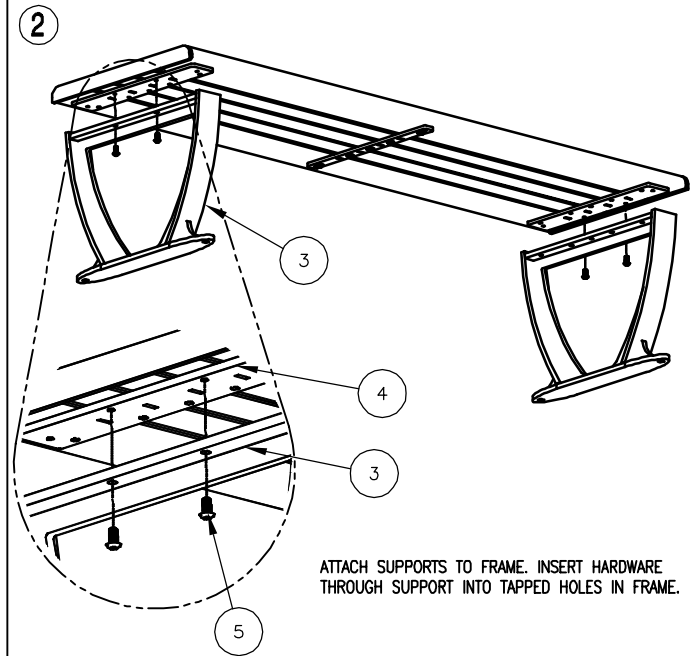
ITEM	QTY	PART NO	DESCRIPTION
1	3	0-472-60-03	71" INT'R SLAT, WOOD
2	2	0-472-60-05	2" X 6" X 71" EDGE PROFILE SLAT, WOOD
3	2	0-473-00-01	STL BKLS SUPPORT
4	1	0-473-60-02	6' STL BKLS SEAT FRAME
5	4	1-12-133	3/8" X 3/4" SS BTN SKT HD CAP SCR
6	5	1-13-023	5/16" X 1 1/2" SS BTN SKT HD LAG
7	10	1-13-038	5/16" X 2" SS HEX HD LAG SCR
8	15	1-22-017	5/16" SS FLAT WASHER

KITS PROVIDED

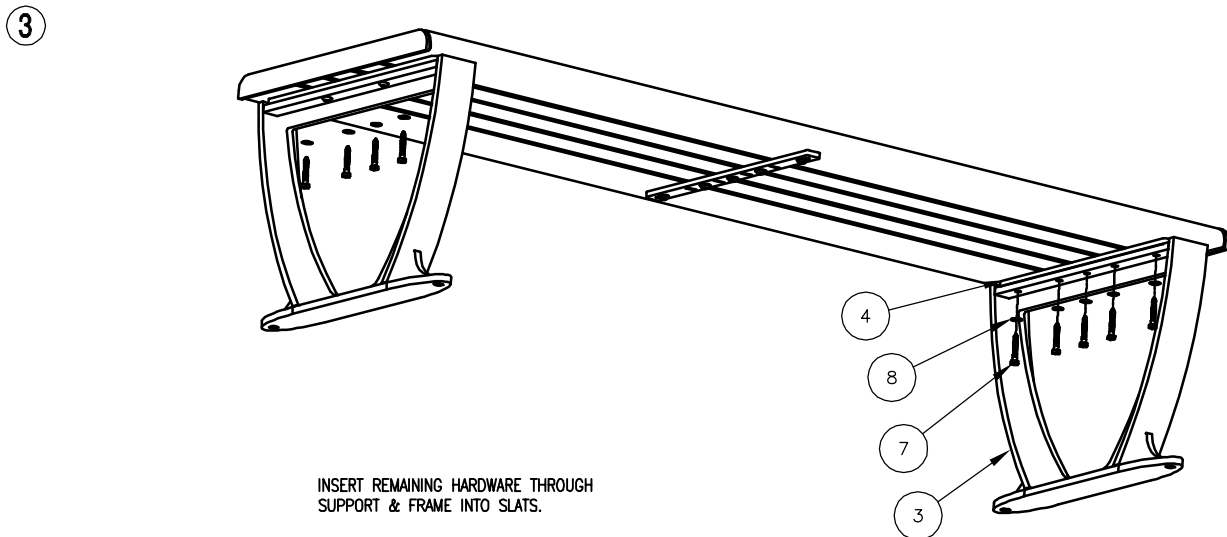
ITEM	QTY	PART NO	DESCRIPTION
9	1	K-ANC0860-4	1/2" X 3 3/4" SS ANCHOR KIT (4PC)
10	1	K-BC0612-4	3/8" CAP HARDWARE KIT (4PC)
11	1	K-BL0524-5	5/16" LAG HARDWARE KIT (5PC)
12	1	K-HL0532-10	5/16" LAG HARDWARE KIT (10PC)



ATTACH ALL SLATS USING HARDWARE TO FRAME.
ONLY ATTACH SLATS AT CENTER AT THIS POINT.



ATTACH SUPPORTS TO FRAME. INSERT HARDWARE
THROUGH SUPPORT INTO TAPPED HOLES IN FRAME.



INSERT REMAINING HARDWARE THROUGH
SUPPORT & FRAME INTO SLATS.