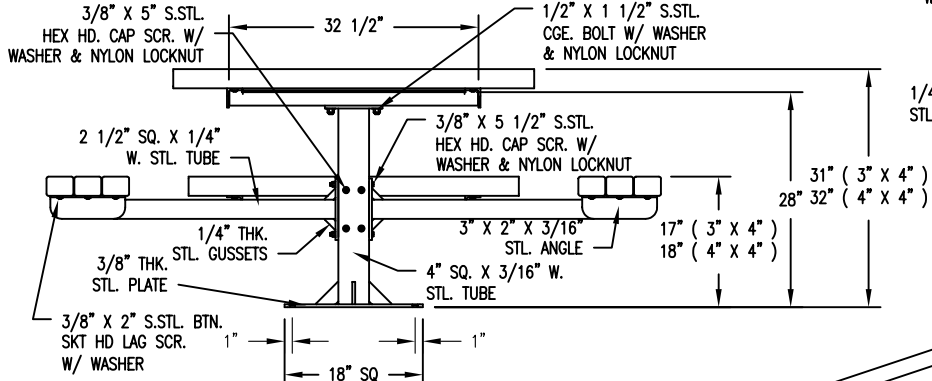
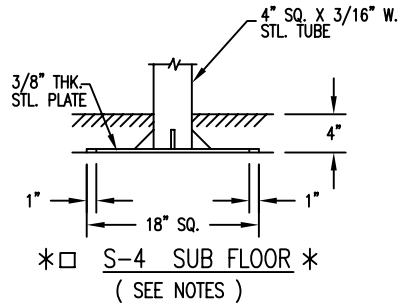
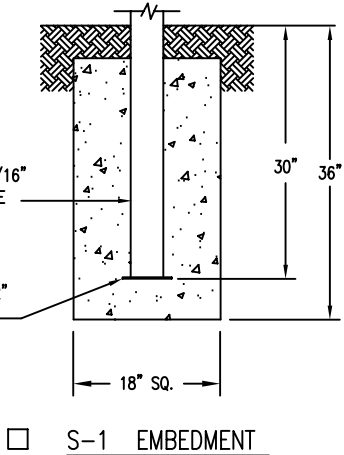


RECYCLED PLASTIC SLATS
(SHOWN W/ 3" X 4")

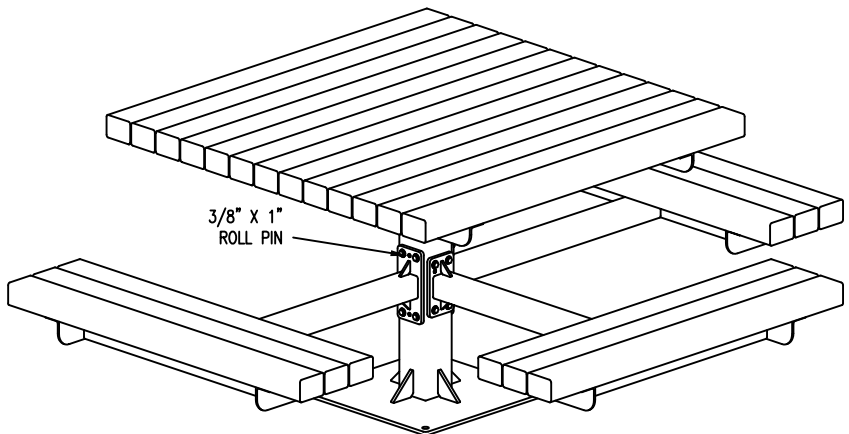


* S-2 SURFACE *
(SEE NOTES)



SLAT OPTIONS

- "CEDAR" RECYCLED PLASTIC
- "GREY" RECYCLED PLASTIC
- "REDWOOD" RECYCLED PLASTIC
- "WALNUT" RECYCLED PLASTIC
- OTHER _____



NOTES

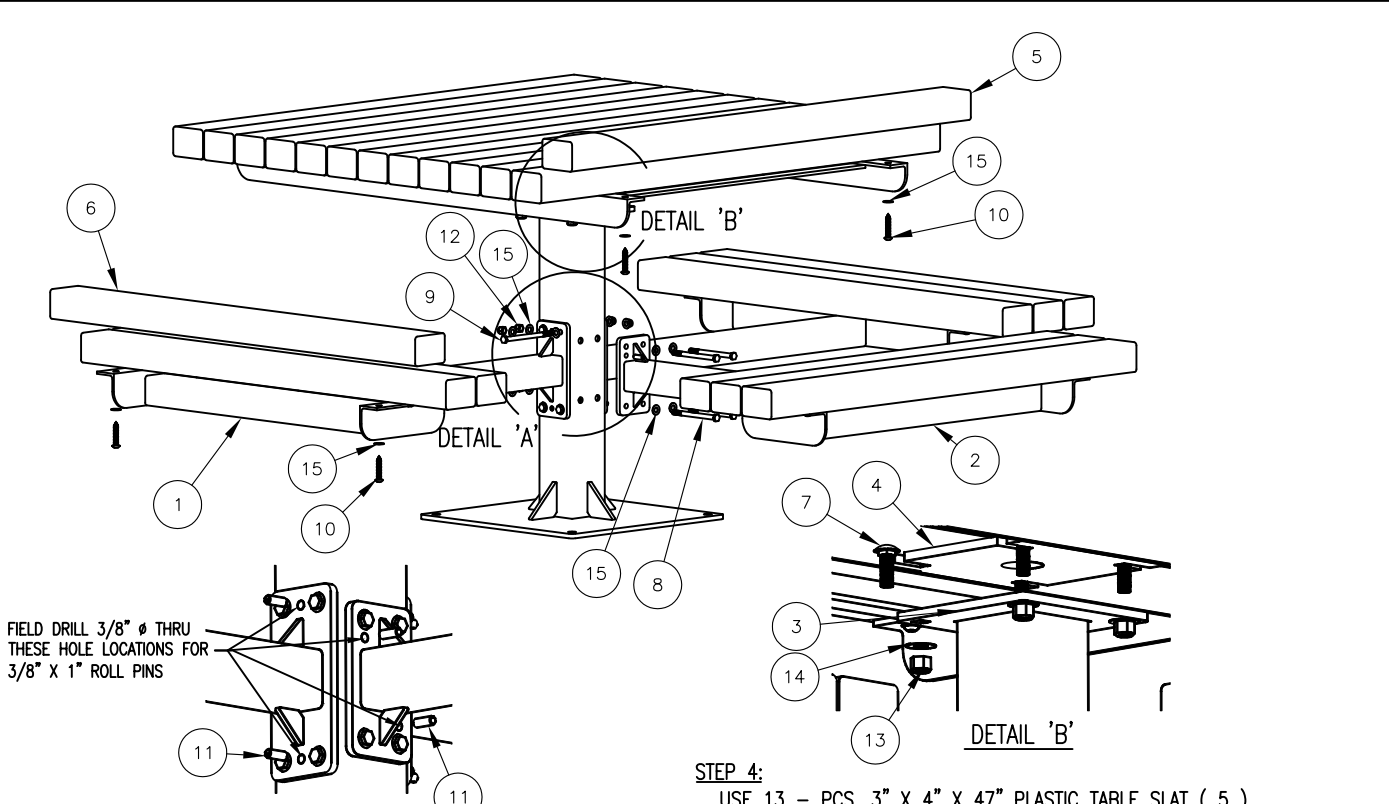
- 1.) ALL STL. MEMBERS COATED W/ ZINC RICH EPOXY THEN FINISHED W/ POLYESTER POWDER COATING.
 - 2.) 1/2" X 3 3/4" EXPANSION ANCHOR BOLTS PROVIDED FOR OPTIONS S-2 AND S-4.
- * UPCHARGE APPLIES TO SUPPORT OPTION, CONSULT YOUR LOCAL REPRESENTATIVE.

- W/ 3 SEATS
- 76-33PL (3" x 4")
 - 76-43PL (4" x 4")

DuMor, inc.
P.O. Box 142 Mifflintown, PA 17059-0142

SCALE :	NONE
DATE DRAWN :	1/8/00
DRAWN BY :	JSB
DATE REV. :	12/15/11
REV. BY :	ESS

TITLE :	PEDESTAL TABLE		
REV. H	DRAWING NUMBER	76 SERIES PL-3	SHEET 1 OF 2



FIELD DRILL 3/8" Ø THRU THESE HOLE LOCATIONS FOR 3/8" X 1" ROLL PINS

DETAIL 'A'

NOTE:

- 1.) DURING ASSEMBLY PROCEDURE; DO NOT COMPLETELY TIGHTEN HARDWARE.
- 2.) THE ACTUAL PARTS WILL NOT BE NUMBERED: NUMBERS ONLY APPLY TO DRAWING.
- 3.) SEE SPEC. SHEET 1 FOR MOUNTING OPTION.

DETAIL 'B'

STEP 4:

- USE 13 - PCS. 3" X 4" X 47" PLASTIC TABLE SLAT (5)
 - 9 - PCS. 3" X 4" X 43" PLASTIC SEAT SLAT (6)
 - 44 - PCS. 3/8" X 2" SS. BTN. SKT. HD. LAG SCR. (10)
 - 44 - PCS. 3/8" SS. FLAT WASHER (15)
- ATTACH 3" X 4" X 47" TABLE SLATS (5) AND 3" X 4" X 43" SEAT SLATS (6) TO STEP 2 ASSEMBLY USING HARDWARE (10 & 15). TIGHTEN TO SNUG FIT. REPEAT UNTIL ALL SLATS ARE ATTACHED.

STEP 1:

- USE 1 - PC. CTR. POST FOR SURFACE MOUNT, (3)
 - 1 - PC. TABLE TOP FRAME (4)
 - 4 - PCS. 1/2" X 1 1/2" SS. CGE. BOLT (7)
 - 4 - PCS. 1/2" SS. NYLON LOCK NUT (13)
 - 4 - PCS. 1/2" SS. FLAT WASHER (14)
- ATTACH TABLE TOP FRAME (4) TO CTR. POST FOR SURFACE MOUNT, (3) USING HARDWARE (7, 13, & 14). TIGHTEN TO SNUG FIT.

STEP 5:

UPON COMPLETION OF TABLE ASSEMBLY SQUARE ALL COMPONENTS THEN TIGHTEN ALL HARDWARE.

STEP 6:

MOUNT AND ANCHOR AS SPECIFIED.

STEP 2:

- USE 2 - PCS. SEAT SUPPORT ARM W/ 8" PLATE (1)
 - 4 - PCS. 3/8" X 5 1/2" SS. HEX HD. CAP SCR. (9)
 - 4 - PCS. 3/8" SS. NYLON LOCK NUT (12)
 - 8 - PCS. 3/8" SS. FLAT WASHER (15)
- ATTACH SEAT SUPPORT ARM W/ 8" PLATE (1) TO STEP 1 ASSEMBLY USING HARDWARE (9, 12, & 15). TIGHTEN TO SNUG FIT.

STEP 7:

- USE 6 - PCS. 3/8" X 1" S.STL. ROLL PIN (11)
- BE SURE SEAT IS LEVEL. FIELD DRILL CTR POST FOR SURFACE MOUNT (3) WITH 3/8" DRILL BIT AT SEAT SUPPORT ARMS (1 & 2) OPEN HOLE LOCATIONS. SEE DETAILS 'A' AND 'B'. DRIVE IN 3/8" X 1" ROLL PIN (11).

ITEM	QTY	PART NO	DESCRIPTION
1	2	0-76-00-05	SEAT SUPPORT ARM W/8" PLATE
2	1	0-76-00-05A	SEAT SUPPORT ARM W/6 1/2" PLATE
3	1	0-76-00-06/S-2	CTR POST FOR SURFACE MOUNT
4	1	0-76-00-07	STL TABLE TOP FRAME
5	13	0-76-30PL-01	3" X 4" X 47" PLASTIC TOP SLAT
6	9	0-76-30PL-02	3" X 4" X 43" PLASTIC SEAT SLAT
7	4	1-11-042	1/2" X 1 1/2" SS CGE BOLT
8	4	1-12-008	3/8" X 5" SS HEX HD CAP SCR
9	4	1-12-039	3/8" X 5 1/2" SS HEX HD CAP SCR
10	44	1-13-016	3/8" X 2" SS BTN SKT HD LAG SCR
11	6	1-14-003	3/8" X 1" S.STL. ROLL PIN
12	8	1-20-007	3/8" SS NYLON LOCKNUT
13	4	1-20-015	1/2" SS NYLON LOCKNUT
14	4	1-22-015	1/2" SS FLAT WASHER
15	60	1-22-024	3/8" SS FLAT WASHER

STEP 3:

- USE 1 - PCS. SEAT SUPPORT ARM W/ 6 1/2" PLATE (2)
 - 4 - PCS. 3/8" X 5" SS. HEX HD. CAP SCR. (8)
 - 4 - PCS. 3/8" SS. NYLON LOCK NUT (12)
 - 8 - PCS. 3/8" SS. FLAT WASHER (15)
- ATTACH SEAT SUPPORT ARM W/ 8" PLATE (2) TO STEP 1 ASSEMBLY USING HARDWARE (8, 12, & 15). TIGHTEN TO SNUG FIT.

DuMor, inc.
P.O. Box 142 Mifflintown, PA 17059-0142

SCALE : NONE
DATE DRAWN : 1/8/00
DRAWN BY : JSB
DATE REV. : 12/15/11
REV. BY : ESS

TITLE : PEDESTAL TABLE ASSEMBLY
REV. H DRAWING NUMBER 76 SERIES PL-3 SHEET 2 OF 2