

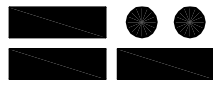
- W/ 3" x 4" SLATS
- 98-63 PL (6' BENCH)
 - 98-83 PL (8' BENCH)

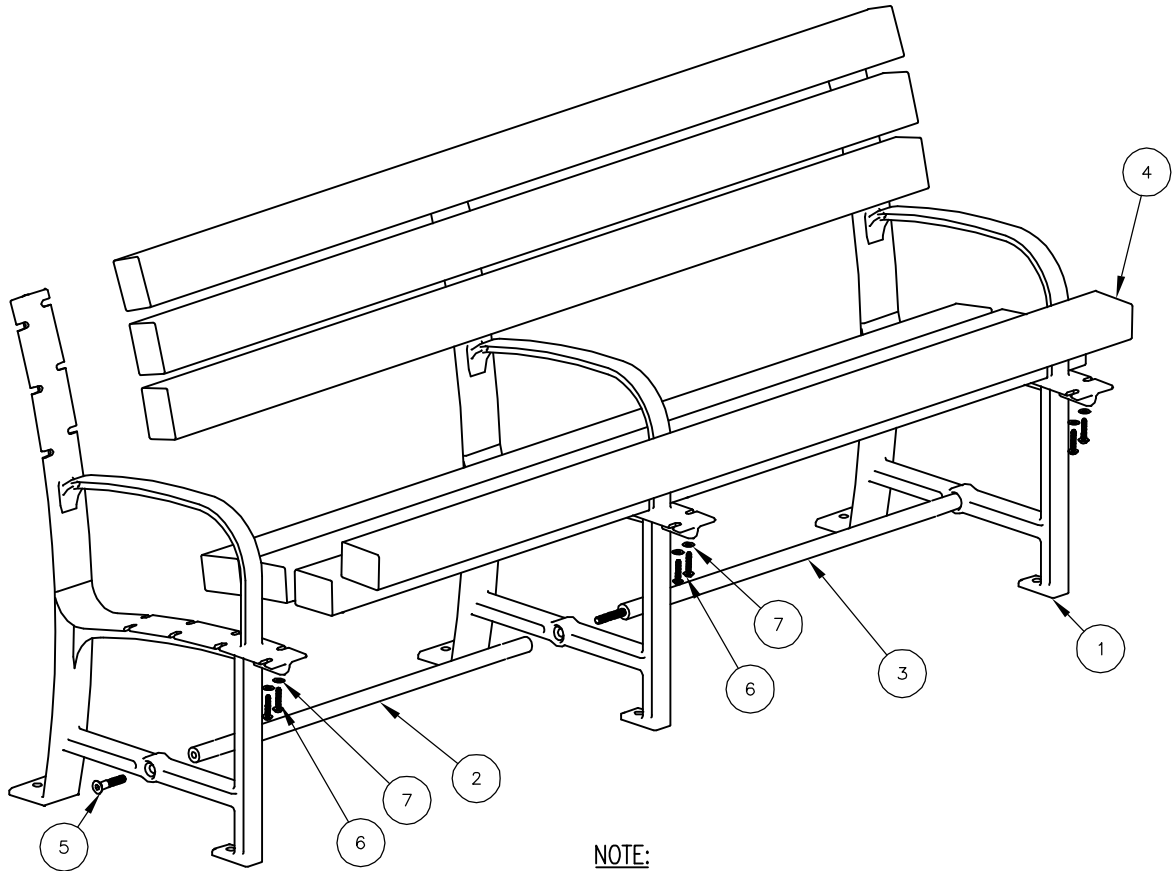
SLAT OPTIONS

- "CEDAR" RECYCLED PLASTIC
- "GREY" RECYCLED PLASTIC
- "REDWOOD" RECYCLED PLASTIC
- "WALNUT" RECYCLED PLASTIC
- OTHER _____

NOTES

- 1.) ALL STL. MEMBERS COATED W/ ZINC RICH EPOXY THEN FINISHED W/ POLYESTER POWDER COATING.
- 2.) 1/2" X 3 3/4" EXPANSION ANCHOR BOLTS PROVIDED.

 DuMor, inc. P.O. Box 142 Mifflintown, PA 17059-0142	SCALE :	NONE	TITLE : BENCH		
	DATE DRAWN :	11/15/99			
	DRAWN BY :	AH	REV. D	DRAWING NUMBER	98 SERIES PL
	DATE REV. :	10/25/11			
REV. BY :	RDH				



STEP 1:

USE 1 - PC. CAST IRON SUPPORT (1)
 1 - PC. 31 3/8" PIPE BRACE (2)
 1 - PC. 31 3/8" PIPE BRACE WITH STUD (3)
 ATTACH PIPE BRACE (2 & 3) TO CAST IRON SUPPORT (1) BY INSERTING PIPE BRACE WITH STUD THROUGH CAST SUPPORT (1) AND ATTACH PIPE BRACE (2) TO END OF STUD THEN TIGHTEN.

STEP 2:

USE 2 - PCS. CAST IRON SUPPORT (1)
 2 - PCS. 1/2" X 2 1/2" FLT. SKT. HD. CAP SCR. (5)
 ATTACH CAST IRON SUPPORT (1) TO STEP 1 ASSEMBLY USING HARDWARE (5). TIGHTEN TO SNUG FIT.

STEP 3:

USE 7 - PCS. 3" X 4" X 71" PLASTIC SLAT (4)
 42 - PCS. 5/16" X 1 1/2" SS. BTN. SKT. HD. LAG (6)
 42 - PCS. 5/16" SS. FLAT WASHER (7)
 ATTACH 3" X 4" X 71" PLASTIC SLAT (4) TO STEP 2 ASSEMBLY USING HARDWARE (6 & 7). TIGHTEN TO SNUG FIT. REPEAT UNTIL ALL SLATS ARE ATTACHED.

NOTE:

- 1.) DURING ASSEMBLY PROCEDURE;
DO NOT COMPLETELY TIGHTEN HARDWARE.
- 2.) THE ACTUAL PARTS WILL NOT BE NUMBERED;
NUMBERS ONLY APPLY TO DRAWING.

STEP 4:

UPON COMPLETION OF BENCH ASSEMBLY SQUARE ALL COMPONENTS THEN TIGHTEN ALL HARDWARE.

STEP 5:

MOUNT AND ANCHOR AS SPECIFIED.

ITEM	QTY	PART NO	DESCRIPTION
1	3	0-98-00-02	CAST IRON SUPPORT (98)
2	1	0-98-60PL-03	3/4" SCH 40 PIPE BRACE (31 3/8")
3	1	0-98-60PL-04	3/4" SCH 40 PIPE BRACE 31 3/8" W/ STUD
4	7	0-98-63PL-01	3" X 4" X 71" PLASTIC SLATS
5	2	1-12-065	1/2" X 2 1/2" FLT SKT HD CAP SCR
6	42	1-13-023	5/16" X 1 1/2" SS BTN SKT HD LAG
7	42	1-22-017	5/16" SS FLAT WASHER

DuMor, inc.
 P.O. Box 142 Mifflintown, PA 17059-0142

SCALE : NONE
 DATE DRAWN : 12/9/99
 DRAWN BY : JSB
 DATE REV. : 10/25/11
 REV. BY : RDH

TITLE : BENCH ASSEMBLY

REV. D	DRAWING NUMBER 98 SERIES PL	SHEET 2 OF 2
--------	-----------------------------	--------------