

**NOTES**

- 1.) ALL STL. MEMBERS COATED W/ ZINC RICH EPOXY THEN FINISHED W/ POLYESTER POWDER COATING.
- 2.) ALL WOOD MEMBERS TREATED W/ CLEAR PRESERVATIVE.
- 3.) 1/2" X 3 3/4" EXPANSION ANCHOR BOLTS PROVIDED.

**WOOD OPTIONS**

- 'C' & BTR. DOUGLAS FIR KD S4S EE
- IPE S4S EE
- OTHER \_\_\_\_\_



BENCH

DATE DRAWN : 10/03/13  
 DRAWN BY : RDH  
 DATE REV. :  
 REV. BY :

REV.  
A

DRAWING NUMBER

473-60/S-2

SHEET  
1 OF 2

PARTS LIST

ITEM	QTY	PART NO	DESCRIPTION
1	2	0-471-00-01	STL BKLS SUPPORT
2	3	0-472-60-03	71" INT'R SLAT, WOOD
3	2	0-472-60-05	2" X 6" X 71" EDGE PROFILE SLAT, WOOD
4	1	0-473-60-02	6' STL BKLS SEAT FRAME
5	4	1-12-133	3/8" X 3/4" SS BTN SKT HD CAP SCR
6	5	1-13-023	5/16" X 1 1/2" SS BTN SKT HD LAG
7	10	1-13-038	5/16" X 2" SS HEX HD LAG SCR
8	15	1-22-017	5/16" SS FLAT WASHER

NOTES:

- 1.) DURING ASSEMBLY PROCEDURE;  
DO NOT COMPLETELY TIGHTEN HARDWARE.
- 2.) THE ACTUAL PARTS WILL NOT BE NUMBERED.  
NUMBERS ONLY APPLY TO DRAWING.
- 3.) UPON COMPLETION OF ASSEMBLY SQUARE  
ALL COMPONENTS THEN TIGHTEN ALL HARDWARE.
- 4.) MOUNT AND ANCHOR AS SPECIFIED.

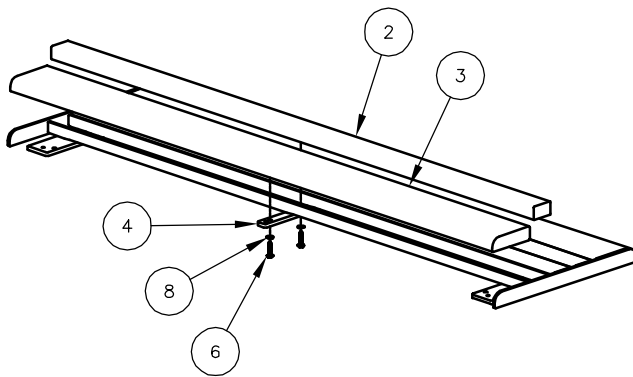
TOOLS REQ'D

- |                    |                                 |
|--------------------|---------------------------------|
| 3/16" ALLEN WRENCH | 3/4" WRENCH                     |
| 1/4" ALLEN WRENCH  | 9/16" WRENCH                    |
| 1/2" WRENCH        | 1/2" MASONRY DRILL BIT<br>DRILL |

KITS PROVIDED

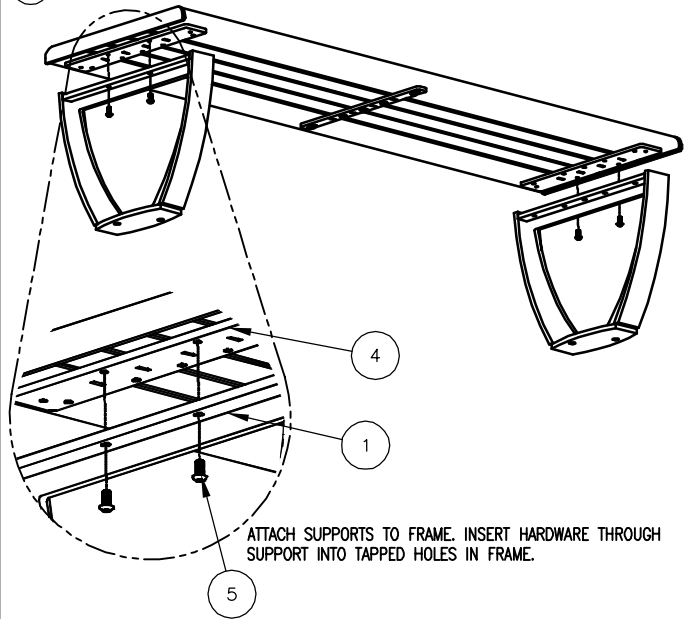
ITEM	QTY	PART NO	DESCRIPTION
9	1	K-ANC0860-4	1/2" X 3 3/4" SS ANCHOR KIT (4PC)
10	1	K-BC0612-4	3/8" CAP HARDWARE KIT (4PC)
11	1	K-BL0524-5	5/16" LAG HARDWARE KIT (5PC)
12	1	K-HL0532-10	5/16" LAG HARDWARE KIT (10PC)

1



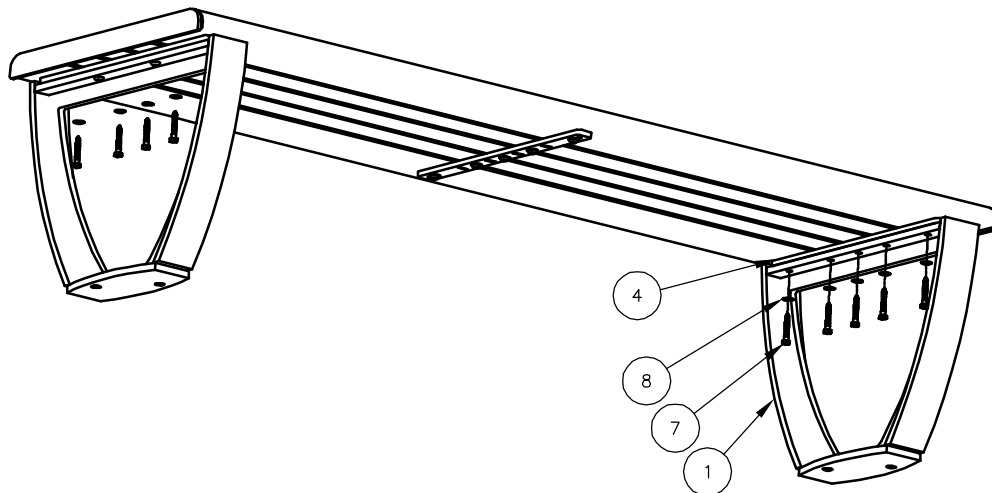
ATTACH ALL SLATS TO FRAME.  
ONLY ATTACH SLATS AT CENTER AT THIS POINT.

2



ATTACH SUPPORTS TO FRAME. INSERT HARDWARE THROUGH  
SUPPORT INTO TAPPED HOLES IN FRAME.

3



INSERT REMAINING HARDWARE THROUGH  
SUPPORT & FRAME INTO SLATS.