

NOTES

- 1.) ALL STL. MEMBERS COATED W/ ZINC RICH EPOXY THEN FINISHED W/ POLYESTER POWDER COATING.
- 2.) ALL WOOD MEMBERS TREATED W/ CLEAR PRESERVATIVE.
- 3.) 1/2" X 3 3/4" EXPANSION ANCHOR BOLTS PROVIDED.

WOOD OPTIONS

- 'C' & BTR. DOUGLAS FIR KD S4S EE
- IPE S4S EE
- OTHER _____



DuMor, inc.
P.O. Box 142 Mifflintown, PA 17059-0142

SCALE :	NONE
DATE DRAWN :	08/30/13
DRAWN BY :	RDH
DATE REV. :	
REV. BY :	

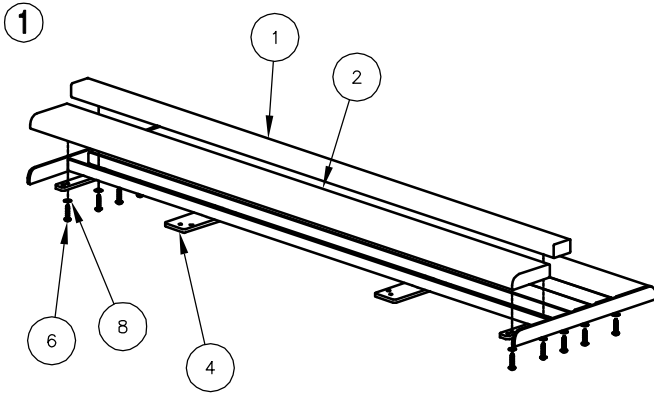
TITLE :	BENCH	
REV.	DRAWING NUMBER	SHEET
A	471-60/S-2	1 OF 2

NOTES:

1.) THE ACTUAL PARTS WILL NOT BE NUMBERED; NUMBERS ONLY APPLY TO DRAWING.

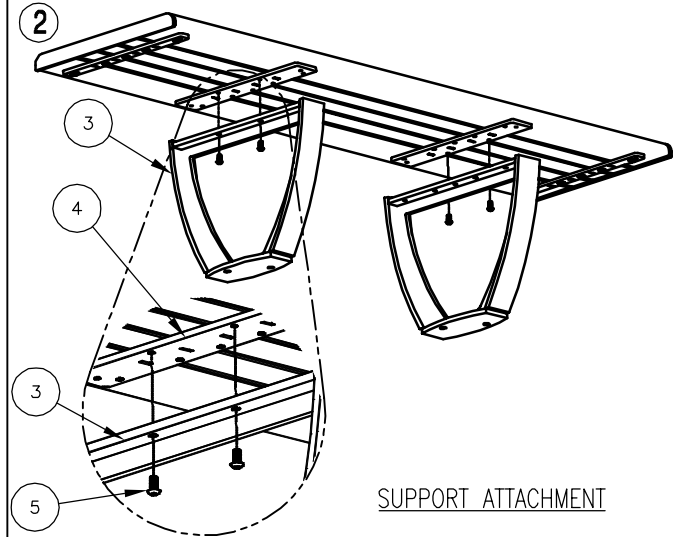
TOOLS REQ'D:

3/16" ALLEN WRENCH 3/4" WRENCH
 1/4" ALLEN WRENCH DRILL & 1/2" MASONRY DRILL BIT
 1/2" WRENCH



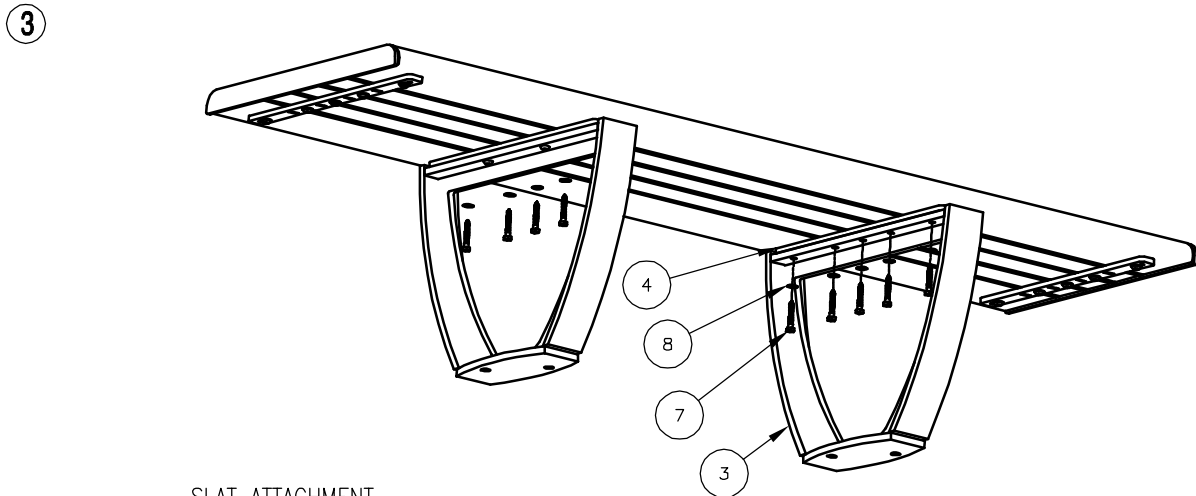
SLAT ATTACHMENT

1: ATTACH ALL SLATS (2, 3) USING HARDWARE (6, 8) TO FRAME (4). ONLY ATTACH SLATS AT CENTER AT THIS POINT.



SUPPORT ATTACHMENT

2: ATTACH SUPPORTS (3) TO FRAME (4) USING HARDWARE (5). INSERT (5) THROUGH SUPPORT INTO TAPPED HOLES IN FRAME (4).



SLAT ATTACHMENT

3: INSERT REMAINING HARDWARE (7, 8) THROUGH SUPPORT (3) & FRAME (4) INTO SLATS (1, 2).

4 MOUNT AND ANCHOR AS SPECIFIED.

KITS REQUIRED:

ITEM	QTY	PART NO	DESCRIPTION
9	1	K-ANC0860-4	1/2" X 3 3/4" SS ANCHOR KIT (4PC)
10	1	K-BC0612-4	3/8" CAP HARDWARE KIT (4PC)
11	1	K-BL0524-10	5/16" LAG HARDWARE KIT (10PC)
12	1	K-HL0532-10	5/16" LAG HARDWARE KIT (10PC)

ITEM	QTY	PART NO	DESCRIPTION
1	3	0-470-60-03	71" INT'R SLAT, WOOD
2	2	0-470-60-05	2" X 6" X 71" EDGE PROFILE SLAT, WOOD
3	2	0-471-00-01	STL BKLS SUPPORT
4	1	0-471-60-02	6' STL BKLS SEAT FRAME
5	4	1-12-133	3/8" X 3/4" SS BTN SKT HD CAP SCR
6	10	1-13-023	5/16" X 1 1/2" SS BTN SKT HD LAG
7	10	1-13-038	5/16" X 2" SS HEX HD LAG SCR
8	20	1-22-017	5/16" SS FLAT WASHER



DuMor, inc.
 P.O. Box 142 Mifflintown, PA 17059-0142

SCALE : NONE
 DATE DRAWN : 08/30/13
 DRAWN BY : RDH
 DATE REV. :
 REV. BY :

TITLE : BENCH ASSEMBLY
 REV. A
 DRAWING NUMBER 471-60/S-2