

NOTES:

- 1.) ALL STL. MEMBERS COATED W/ ZINC RICH EPOXY THEN FINISHED W/ POLYESTER POWDER COATING.
- 2.) 1/2" X 1" SWIVEL GLIDES AND 1/2" X 3 3/4" EXPANSION ANCHOR BOLTS PROVIDED.

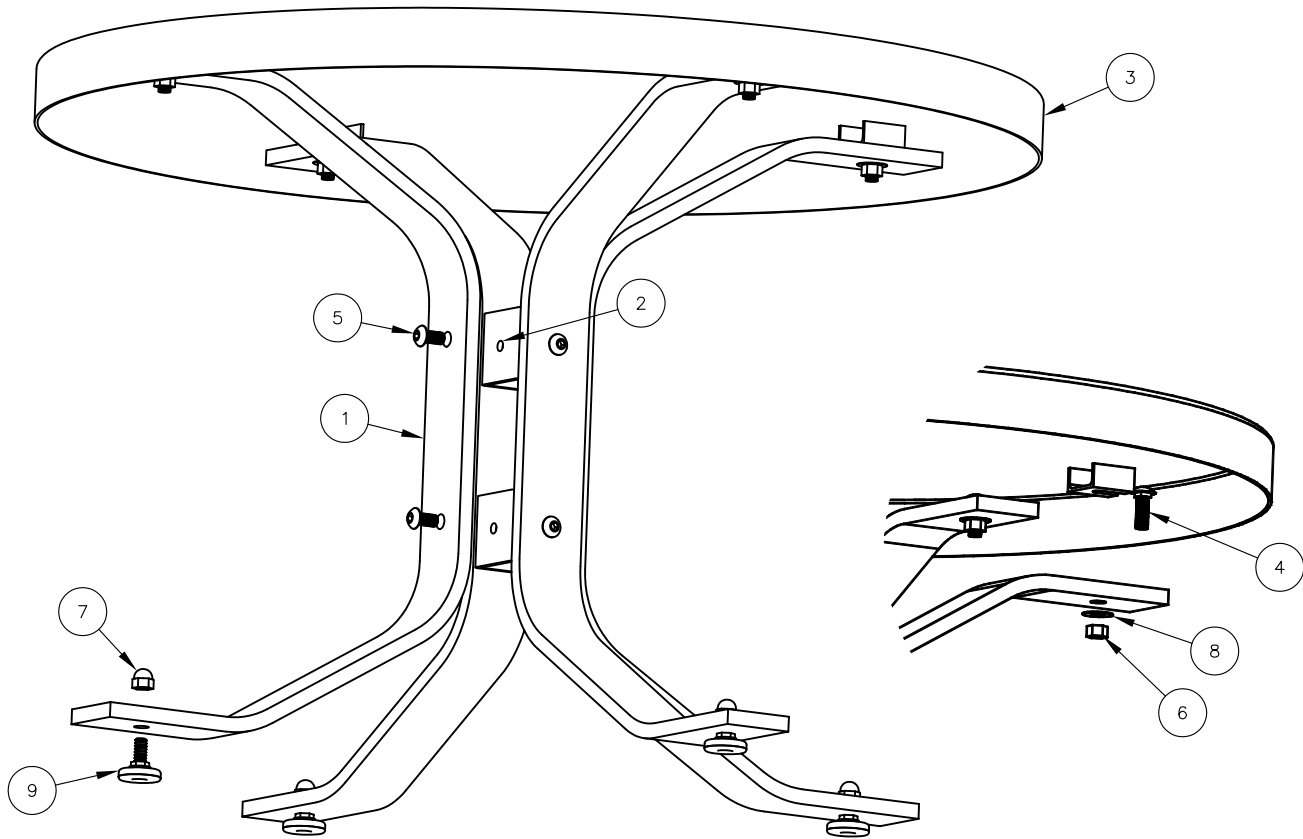


DuMor, inc.

P.O. Box 142 Mifflintown, PA 17059-0142

SCALE :	NONE
DATE DRAWN :	10/24/01
DRAWN BY :	JSB
DATE REV. :	12/21/06
REV. BY :	ESS

TITLE :	TABLE		
REV. B	DRAWING NUMBER	126-02	SHEET 1 OF 2



NOTE:

- 1.) DURING ASSEMBLY PROCEDURE;
DO NOT COMPLETELY TIGHTEN HARDWARE.
- 2.) THE ACTUAL PARTS WILL NOT BE NUMBERED;
NUMBERS ONLY APPLY TO DRAWING.
- 3.) STEP 3 IS APPLIED ONLY WHEN
USING GLIDES. WHEN USING
ANCHOR BOLTS SKIP STEP 3.

STEP 1:

USE 4 - PCS. TABLE SUPPORT LEG (1)
 2 - PCS. TABLE SUPPORT COLLAR (2)
 8 - PCS. 1/2" X 1" SS. BTN. SKT. HD. CAP SCR. (5)
 ATTACH TABLE SUPPORT LEG (1) TO TABLE SUPPORT
 COLLAR (2) USING HARDWARE (5). ALL SLOTTED HOLES
 TO BE FACED IN SAME DIRECTION. (ATTACH TO LOOSE FIT.)
 REPEAT UNTIL ALL TABLE SUPPORT LEGS ARE ATTACHED.

STEP 2:

USE 1 - PC. TABLE TOP WITH BOLTING TABS (3)
 4 - PCS. 1/2" X 1 1/2" SS. CGE. BOLTS (4)
 4 - PCS. 1/2" SS. HEX NUT (6)
 4 - PCS. 1/2" SS. FLAT WASHER (8)
 ATTACH TABLE TOP WITH BOLTING TABS (3) TO STEP 1
 ASSEMBLY (SLOTTED HOLE SIDE) USING HARDWARE
 (4, 6, & 8). TIGHTEN TO SNUG FIT.

STEP 3:

USE 1/2" SS. HEX ACORN NUT (7)
 1/2" X 1" SWIVEL GLIDE (9)
 ATTACH 1/2" X 1" SWIVEL GLIDE (9) TO STEP 2
 ASSEMBLY USING HARDWARE (7). TIGHTEN HARDWARE.

STEP 4:

UPON COMPLETION OF TABLE ASSEMBLY, SQUARE ALL
 COMPONENTS THEN TIGHTEN ALL HARDWARE.

ITEM	QTY	PART NO	DESCRIPTION
1	4	0-126-02	TABLE SUPPORT LEG
2	2	0-126-04	TABLE SUPPORT COLLAR
3	1	0-126-05	TABLE TOP WITH BOLT TABS
4	4	1-11-042	1/2" X 1 1/2" SS CGE BOLT
5	8	1-12-056	1/2" X 1" SS BTN SKT HD CAP SCR
6	4	1-21-016	1/2" SS HEX NUT
7	4	1-21-019	1/2" SS HEX ACORN NUT
8	4	1-22-015	1/2" SS FLAT WASHER
9	4	5-48-096	1/2" X 1" SWIVEL GLIDE

DuMor, inc.

P.O. Box 142 Mifflintown, PA 17059-0142

SCALE : NONE

DATE DRAWN : 10/24/01

DRAWN BY : JSB

DATE REV. : 12/21/06

REV. BY : ESS

TITLE :

TABLE ASSEMBLY

REV.

DRAWING
NUMBER

B

126-02

SHEET
2 OF 2