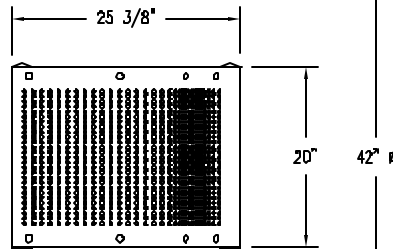
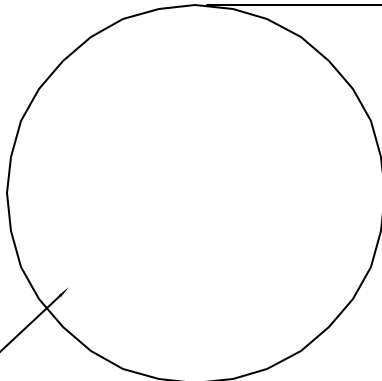
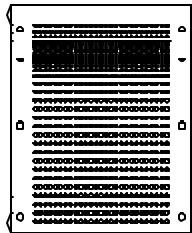
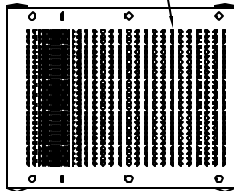
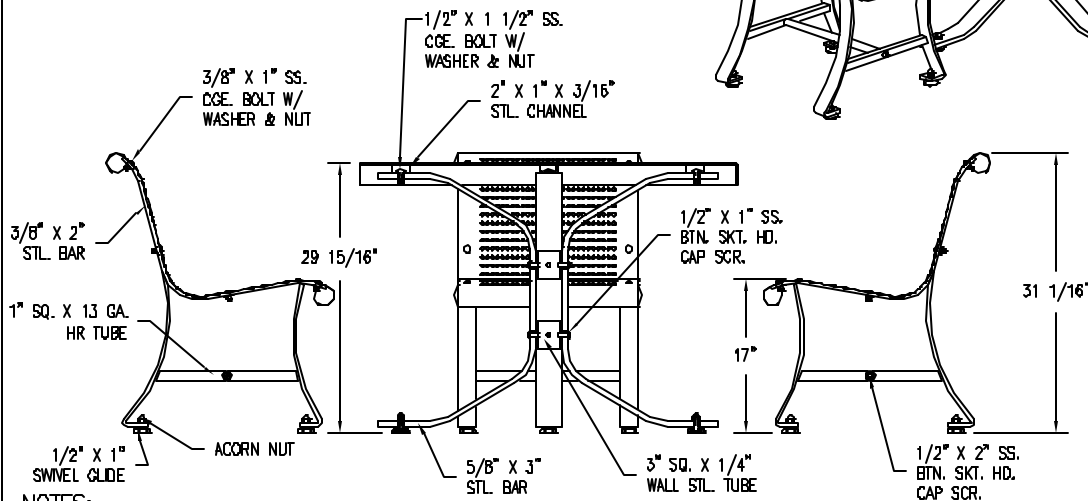
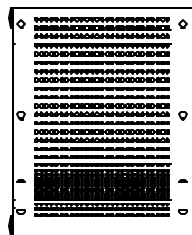


14 GA. PERFORATED
STEEL SHEET



10 GA. SPUN STL.



NOTES:

- 1.) ALL STL. MEMBERS COATED W/ ZINC RICH EPOXY THEN FINISHED W/ POLYESTER POWDER COATING.
- 2.) 1/2" X 1" SWIVEL GLIDES AND 1/2" X 3 3/4" EXPANSION ANCHOR BOLTS PROVIDED.
- 3.) FOR CHAIR INSTALLATION SEE SPEC SHEET # 126-01
FOR TABLE INSTALLATION SEE SPEC SHEET # 126-02



DuMor, inc.

P.O. Box 142 Mifflintown, PA 17059-0142

SCALE : NONE
DATE DRAWN : 10/24/01
DRAWN BY : JSB
DATE REV. : 12/20/06
REV. BY : ESS

TITLE : TABLE

REV. D
DRAWING NUMBER 126-40

SHEET 1