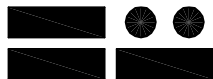


NOTES:

- 1.) ALL STL. MEMBERS COATED W/ ZINC RICH EPOXY THEN FINISHED W/ POLYESTER POWDER COATING.



DuMor, inc.

P.O. Box 142 Mifflintown, PA 17059-0142

SCALE :	NONE
DATE DRAWN :	12/21/99
DRAWN BY :	JSB
DATE REV. :	
REV. BY :	

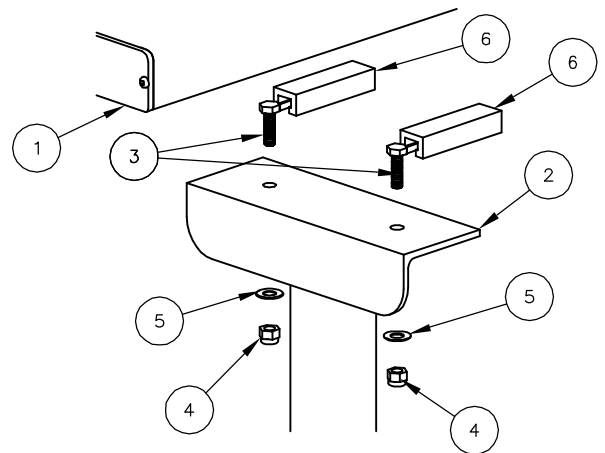
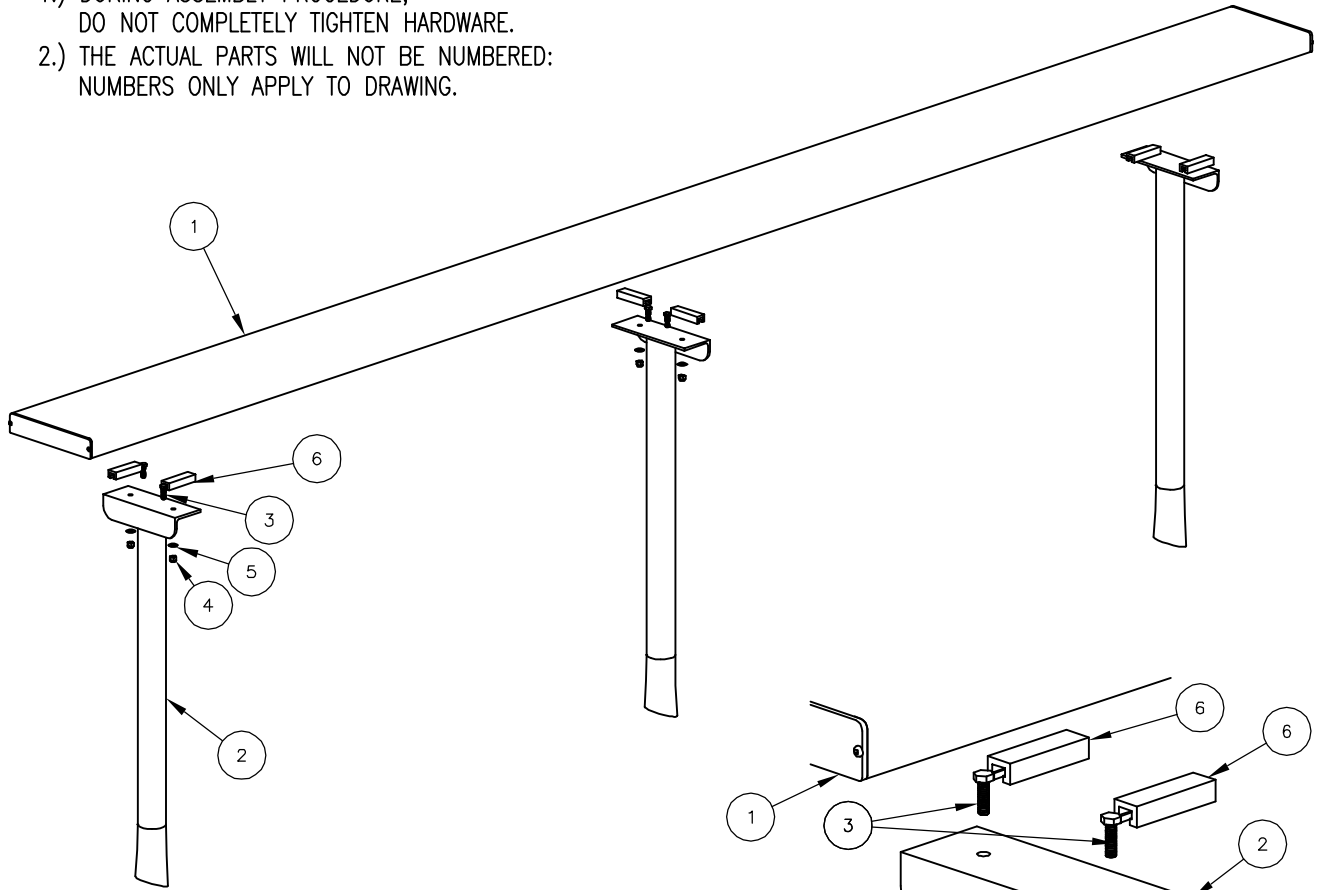
TITLE : TEAM BENCH

REV.	DRAWING NUMBER
A	99-120A/S-1

SHEET
1 OF 2

NOTE:

- 1.) DURING ASSEMBLY PROCEDURE;
DO NOT COMPLETELY TIGHTEN HARDWARE.
- 2.) THE ACTUAL PARTS WILL NOT BE NUMBERED:
NUMBERS ONLY APPLY TO DRAWING.



DETAIL A

STEP 1:

- USE 1 - PC. 2" X 10" X 12' ALUMINUM PLANK (1)
- 3 - PCS. SUPPORT FOR EMBEDMENT (2)
- 6 - PCS. ALUMINUM CLIPS (6)
- 6 - PCS. 5/16" X 1" SS. HEX HD. CAP SCR. (3)
- 6 - PCS. 5/16" SS. LOCK NUT (4)
- 6 - PCS. 5/16" SS. FLAT WASHER (5)

PLACE ALUMINUM CLIP (6) OVER HEAD OF 5/16" X 1" S.STL. HEX HD. CAP SCR. (3). PLACE BOLT WITH CLIP IN SUPPORT POST FOR EMBEDMENT (2) THEN PLACE 2" X 10" X 12' ALUMINUM PLANK (1) ON SUPPORT OVER TOP OF ALUMINUM CLIP. TURN CLIP 1/4 TURN TO LOCK ALUMINUM PLANK INTO PLACE USING HARDWARE (4 & 5). TIGHTEN TO SNUG FIT.

STEP 2:

UPON COMPLETION OF BENCH ASSEMBLY SQUARE ALL COMPONENTS THEN TIGHTEN ALL HARDWARE.

STEP 3:

MOUNT AND ANCHOR AS SPECIFIED.

ITEM	QTY	PART NO	DESCRIPTION
1	1	0-71-120A-01	2" X 10" X 12' ALUM. PLANK
2	3	0-99-00-01/S-1	SUPPORT FOR EMBEDMENT
3	6	1-12-061	5/16" X 1" SS HEX HD CAP SCR
4	6	1-20-016	5/16" SS NYLON LOCKNUT
5	6	1-22-017	5/16" SS FLAT WASHER
6	6	5-48-083	ALUMINUM CLIPS

DuMor, inc.
P.O. Box 142 Mifflintown, PA 17059-0142

SCALE : NONE
DATE DRAWN : 12/21/99
DRAWN BY : JSB
DATE REV. :
REV. BY :

TITLE : BENCH ASSEMBLY
REV. A
DRAWING NUMBER 99-120A/S-1
SHEET 2 OF 2