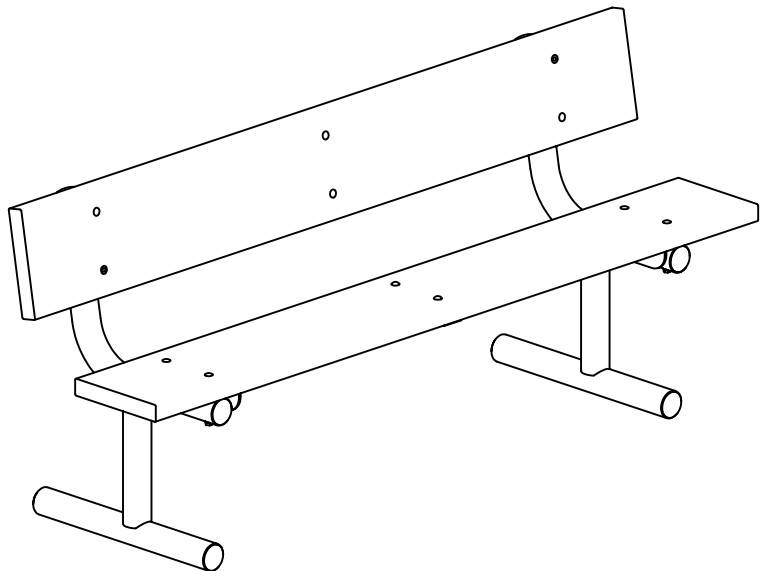


SLAT OPTIONS

- "CEDAR" RECYCLED PLASTIC
- "GREEN" RECYCLED PLASTIC
- "GREY" RECYCLED PLASTIC
- "REDWOOD" RECYCLED PLASTIC
- "WALNUT" RECYCLED PLASTIC
- OTHER \_\_\_\_\_



LENGTH OPTIONS

- 6' BENCH
- 8' BENCH

NOTES

1.) ALL STL. MEMBERS COATED W/ ZINC RICH EPOXY THEN FINISHED W/ POLYESTER POWDER COATING.

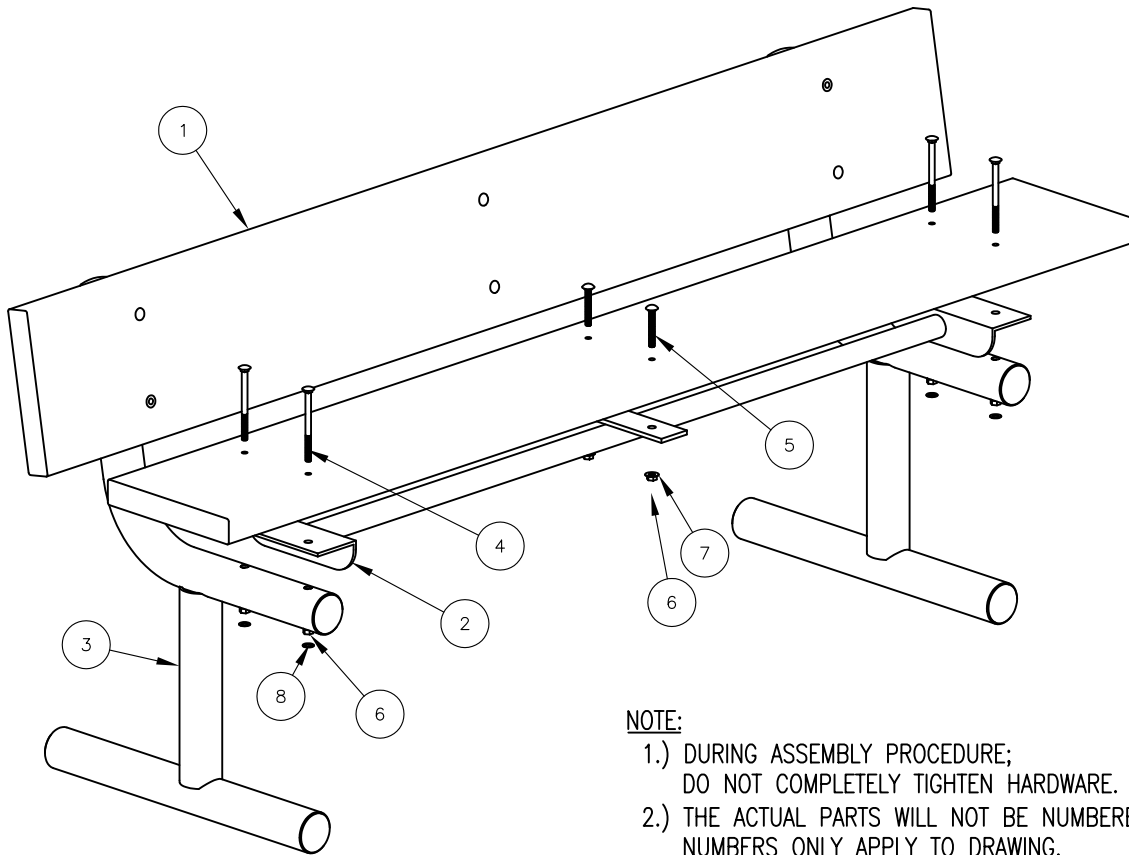
  
**DuMor, inc.**  
 P.O. Box 142 Mifflintown, PA 17059-0142

SCALE : NONE  
 DATE DRAWN : 7/24/95  
 DRAWN BY : AH  
 DATE REV. : 12/03/09  
 REV. BY : ESS

TITLE : TEAM BENCH

REV. E  
 DRAWING NUMBER 97 SERIES PL /S-5

SHEET 1 OF 2



**NOTE:**

- 1.) DURING ASSEMBLY PROCEDURE;  
DO NOT COMPLETELY TIGHTEN HARDWARE.
- 2.) THE ACTUAL PARTS WILL NOT BE NUMBERED;  
NUMBERS ONLY APPLY TO DRAWING.

**STEP 1:**

- USE 2 - PC. 2" X 10" X 71" PLASTIC SLAT ( 1 )
- 2 - PC. SEAT BRACE ( 2 )
- 4 - PCS. 5/16" X 2 1/4" SS. CGE. BOLT ( 5 )
- 4 - PCS. 5/16" SS. HEX NUT ( 6 )
- 4 - PCS. 5/16" SS. FLAT WASHER ( 7 )

ATTACH 2" X 10" X 71" PLASTIC SLAT ( 1 ) TO SEAT BRACE ( 2 ) USING HARDWARE ( 5, 6 & 7 ). JUST IN THE CENTER HOLES. TIGHTEN TO SNUG FIT.

**STEP 3:**

UPON COMPLETION OF BENCH ASSEMBLY SQUARE ALL COMPONENTS THEN TIGHTEN ALL HARDWARE.

**STEP 2:**

- USE 2 - PC. FREE STANDING SUPPORT ( 3 )
- 8 - PCS. 5/16" X 4 1/4" SS. CGE. BOLT ( 4 )
- 8 - PCS. 5/16" SS. HEX NUT ( 6 )
- 8 - PCS. 3/8" ID. X 5/8" OD. RUBBER WASHER ( 8 )

ATTACH FREE STANDING SUPPORTS ( 3 ) TO STEP 1 ASSEMBLY USING HARDWARE ( 4, 6 & 8 ). TIGHTEN TO SNUG FIT.

ITEM	QTY	PART NO	DESCRIPTION
1	2	0-71-60PL-01	2" X 10" X 71" PLASTIC SLAT
2	2	0-77-60-14	6' SEAT BRACE
3	2	0-97-00PL-01/S5	FREE STANDING SUPPORT
4	8	1-11-002	5/16" X 4 1/4" SS CGE BOLT
5	4	1-11-062	5/16" X 2 1/4" SS CGE BOLT
6	12	1-21-015	5/16" SS HEX NUT
7	4	1-22-017	5/16" SS FLAT WASHER
8	8	1-22-018	3/8" ID X 5/8" OD RUBBER WASHER



**DuMor, inc.**  
P.O. Box 142 Mifflintown, PA 17059-0142

SCALE : NONE  
DATE DRAWN : 11/30/99  
DRAWN BY : JSB  
DATE REV. : 12/03/09  
REV. BY : ESS

TITLE : TEAM BENCH ASSEMBLY

REV. E  
DRAWING NUMBER 97 SERIES PL /S-5

SHEET 2 OF 2