

LENGTH OPTIONS

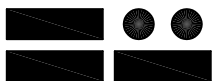
- 6' BENCH
- 8' BENCH

NOTES

- 1.) ALL STL. MEMBERS COATED W/ ZINC RICH EPOXY THEN FINISHED W/ POLYESTER POWDER COATING.
- 2.) ALL WOOD MEMBERS TREATED W/ CLEAR PRESERVATIVE.
- 3.) 1/2" X 3 3/4" EXPANSION ANCHOR BOLTS PROVIDED.

WOOD OPTIONS

- 'C' & BTR. DOUGLAS FIR KD S4S EE
- IPE S4S EE
- OTHER _____



DuMor, inc.

P.O. Box 142 Mifflintown, PA 17059-0142

SCALE : NONE
 DATE DRAWN : 9/24/04
 DRAWN BY : AWH
 DATE REV. : 10/27/11
 REV. BY : ESS

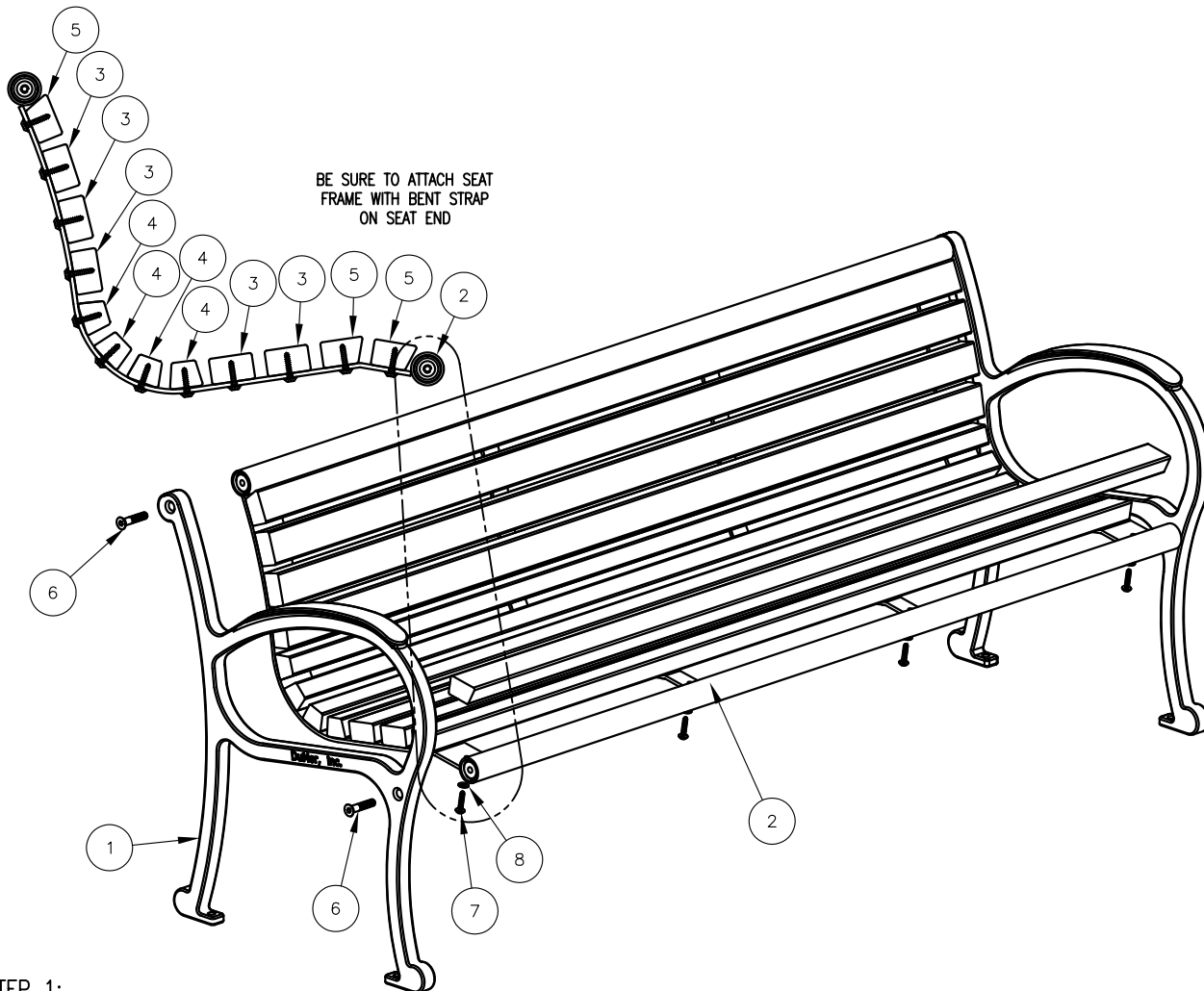
TITLE : BENCH

REV. D

DRAWING NUMBER

165 SERIES

SHEET 1 OF 2



STEP 1:

USE 2 - PCS. CAST IRON BENCH SUPPORT W/ BACK (1)
 1 - PC. 6' SEAT FRAME (2)
 4 - PCS. 1/2" X 2 1/2" FLT. SKT. HD. CAP SCR. (6)
 ATTACH CAST IRON SUPPORT W/ BACK (1) TO 6' SEAT FRAME (2) USING HARDWARE (6). TIGHTEN TO SNUG FIT.

NOTE:

- 1.) DURING ASSEMBLY PROCEDURE;
DO NOT COMPLETELY TIGHTEN HARDWARE.
- 2.) THE ACTUAL PARTS WILL NOT BE NUMBERED:
NUMBERS ONLY APPLY TO DRAWING.

STEP 2:

USE 5 - PCS. 2" X 3" X 71" WOOD INT'R SLAT (3)
 4 - PCS. 71" WOOD TRAP SLAT (4)
 3 - PCS. 71" WOOD PROFILE SLAT (5)
 48 - PCS. 5/16" X 1 1/2" SS. BTN. SKT. HD. LAG (7)
 48 - PCS. 5/16" SS. FLAT WASHER (8)
 ATTACH SLATS (3, 4 & 5) TO STEP 1 ASSEMBLY USING HARDWARE (7 & 8). TIGHTEN TO SNUG FIT.

STEP 3:

UPON COMPLETION OF BENCH ASSEMBLY SQUARE ALL COMPONENTS THEN TIGHTEN ALL HARDWARE.

STEP 4:

MOUNT AND ANCHOR AS SPECIFIED.

ITEM	QTY	PART NO	DESCRIPTION
1	2	0-160-00-01	CAST IRON BENCH SUPPORT FOR BACKREST
2	1	0-165-60-01	6' SEAT FRAME
3	5	0-165-60-02	2" X 3" X 71" WOOD INT'R SLAT
4	4	0-165-60-03	71" WOOD TRAP SLAT
5	3	0-165-60-04	71" WOOD PROFILE SLAT
6	4	1-12-065	1/2" X 2 1/2" FLT SKT HD CAP SCR
7	48	1-13-023	5/16" X 1 1/2" SS BTN SKT HD LAG
8	48	1-22-017	5/16" SS FLAT WASHER

DuMor, inc.
 P.O. Box 142 Mifflintown, PA 17059-0142

SCALE : NONE
 DATE DRAWN : 9/24/04
 DRAWN BY : AWH
 DATE REV. : 6/4/09
 REV. BY : AWH

TITLE : BENCH ASSEMBLY

REV. C	DRAWING NUMBER 165 SERIES	SHEET 2 OF 2
--------	---------------------------	--------------