

NOTES

- 1.) ALL STL. MEMBERS COATED W/ ZINC RICH EPOXY THEN FINISHED W/ POLYESTER POWDER COATING.
- 2.) 1/2" X 3 3/4" EXPANSION ANCHOR BOLTS PROVIDED.



DuMor, inc.
P.O. Box 142 Mifflintown, PA 17059-0142

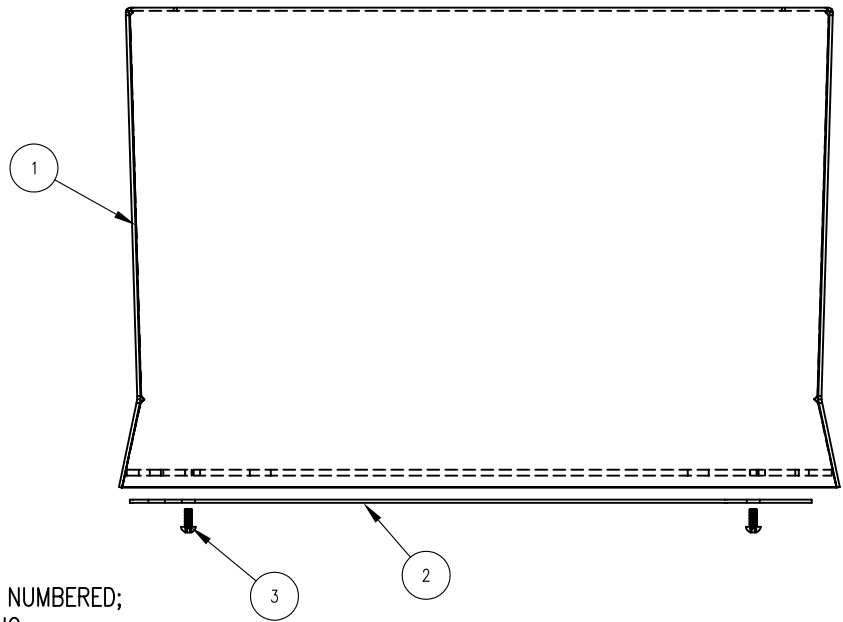
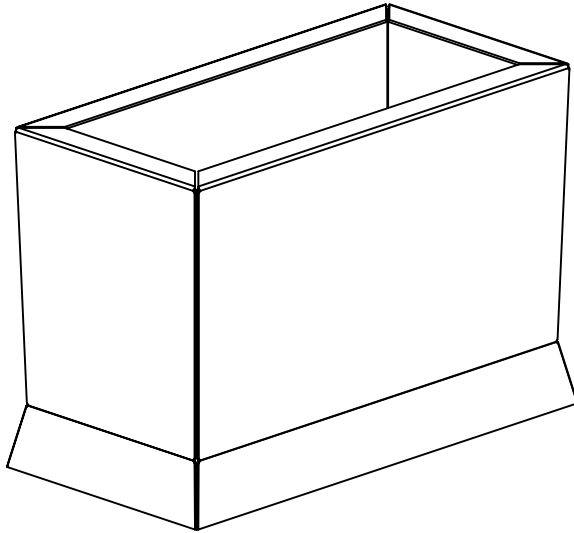
SCALE : NONE
DATE DRAWN : 07/16/12
DRAWN BY : RDH
DATE REV. :
REV. BY :

TITLE :
REV. A

PLANTER

DRAWING NUMBER 441-15X30S

SHEET 1 OF 2



NOTE:

1.) THE ACTUAL PARTS WILL NOT BE NUMBERED;
NUMBERS ONLY APPLY TO DRAWING.

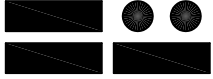
STEP 1:

USE 1 - PC. STL. PLANTER BODY (1)
 1 - PC. STL. BOLT ON PLATE (2)
 2 - PCS. 5/16" X 3/4" S.STL. BTN. SKT. HD. CAP SCR. (3)
 ATTACH STL. BOLT ON PLATE (2) TO
 STL. PLANTER BODY (1), USING 5/16" X 3/4" S.STL. BTN.
 SKT HD. CAP SCREWS (3).

STEP 2:

MOUNT AND ANCHOR AS SPECIFIED.

ITEM	QTY	PART NO	DESCRIPTION
1	1	0-441-15X30S-01	STL PLANTER BODY (15" X 30" X 20")
2	1	0-441-15X30S-02	STL BOLT ON PLATE
3	2	1-12-089	5/16" X 3/4" SS BTN SKT HD CAP SCR
4	1	K-ANC0860-4	1/2" X 3 3/4" SS ANCHOR KIT (4PC)
5	1	K-BC0512-2	5/16" CAP HARDWARE KIT (2PC)

 DuMor, inc. P.O. Box 142 Mifflintown, PA 17059-0142	SCALE :	NONE	TITLE : PLANTER	
	DATE DRAWN :	07/16/12		
	DRAWN BY :	RDH	REV.	DRAWING NUMBER 441-15X30S
	DATE REV. :		A	
	REV. BY :			