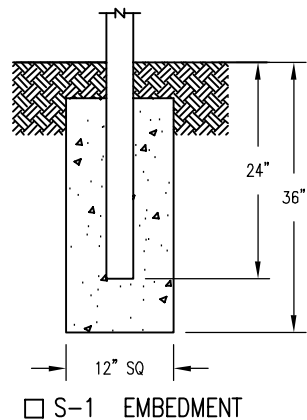
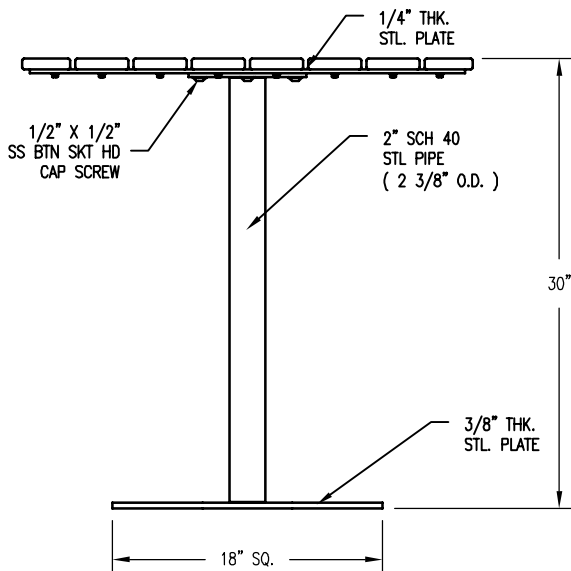
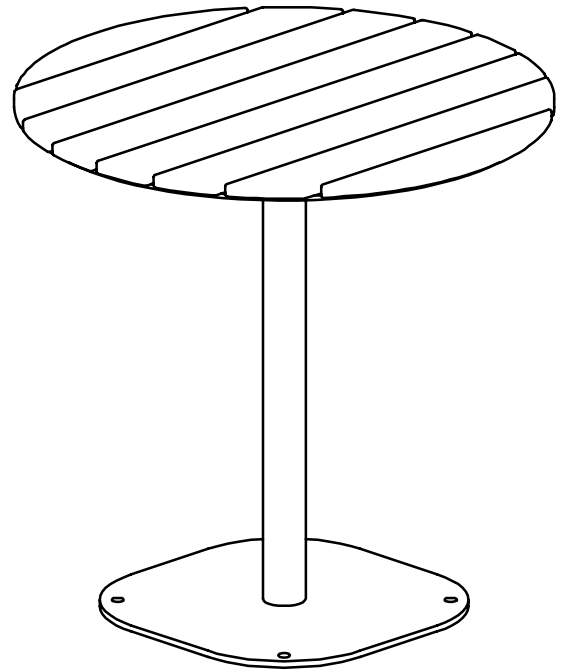
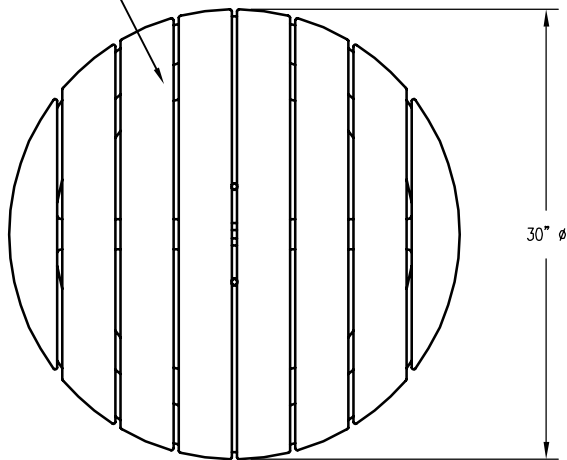
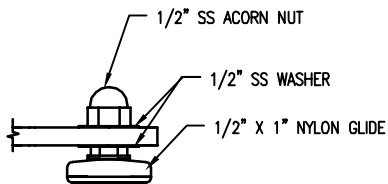


1" X 4" (NOM) SLATS
(SEE WOOD OPTIONS)



S-2 SURFACE
(SEE OPTIONAL GLIDE DETAIL)



OPTIONAL GLIDE DETAIL

WOOD OPTIONS

- IPE S4S EE
- OTHER _____

NOTES:

- 1.) ALL STL. MEMBERS COATED W/ ZINC RICH EPOXY THEN FINISHED W/ POLYESTER POWDER COATING.
- 2.) 1/2" X 1" NYLON GLIDES AND 1/2" X 3 3/4" EXPANSION ANCHOR BOLTS PROVIDED W/ S-2 OPTION.

NOTES:

- 1.) DURING ASSEMBLY PROCEDURE;
DO NOT COMPLETELY TIGHTEN HARDWARE.
- 2.) THE ACTUAL PARTS WILL NOT BE NUMBERED.
NUMBERS ONLY APPLY TO DRAWING.
- 3.) UPON COMPLETION OF ASSEMBLY SQUARE
ALL COMPONENTS THEN TIGHTEN ALL HARDWARE.
- 4.) MOUNT AND ANCHOR AS SPECIFIED.

TOOLS REQ'D

- 3/4" WRENCH
- 5/16" ALLEN WRENCH
- 1/2" MASONRY DRILL BIT
- DRILL

PARTS LIST FOR S-2

ITEM	QTY	PART NO	DESCRIPTION
1	1	0-485-00-01/S-2	SUPT FOR SURFACE MT
2	1	0-485-30	30" DIA STL TABLE ASMBLY, WOOD
3	4	1-12-093	1/2" X 1/2" SS BTN SKT HD CAP SCR
4	4	1-21-019	1/2" SS HEX ACORN NUT
5	8	1-22-015	1/2" SS FLAT WASHER
6	4	5-48-096	1/2" X 1" SWIVEL GLIDE

KITS PROVIDED FOR S-2

ITEM	QTY	PART NO	DESCRIPTION
7	1	K-ANC0860-4	1/2" X 3 3/4" SS ANCHOR KIT (4PC)
8	1	K-BC0808-4	1/2" CAP HARDWARE KIT (4PC)
9	1	K-GL0816-4	1/2" X 1" GLIDE KIT (4PCS)

- ① ATTACH GLIDES, UNLESS ANCHORING.
ATTACH TABLE TOP

