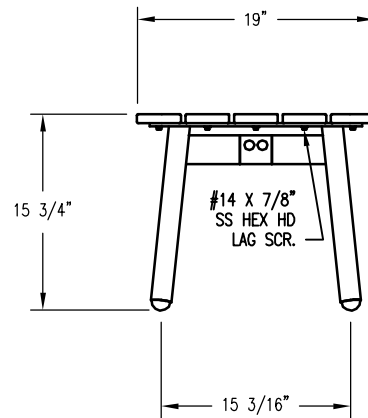
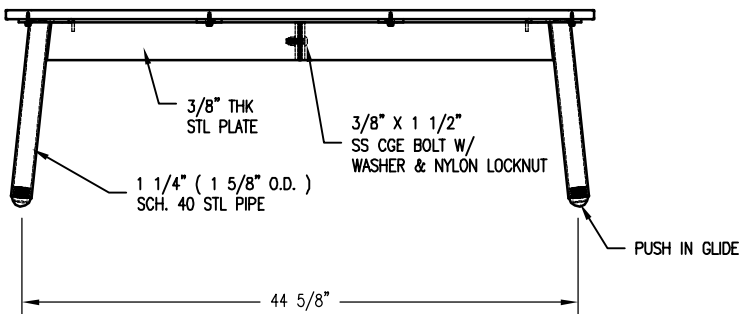
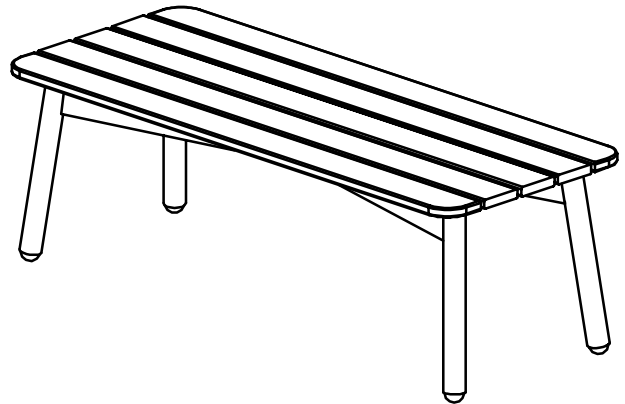


1" X 4" (NOM.) SLATS  
( SEE WOOD OPTIONS )



**NOTES**

1.) ALL STL. MEMBERS COATED W/ ZINC RICH EPOXY THEN FINISHED W/ POLYESTER POWDER COATING.

**WOOD OPTIONS**

- IPE S4S EE
- OTHER \_\_\_\_\_



TABLE

DATE DRAWN : 10/29/20  
 DRAWN BY : RDH  
 DATE REV. :  
 REV. BY :

REV.  
A

DRAWING NUMBER

516-40

SHEET  
1 OF 2

**NOTES:**

- 1.) DURING ASSEMBLY PROCEDURE;  
DO NOT COMPLETELY TIGHTEN HARDWARE.
- 2.) THE ACTUAL PARTS WILL NOT BE NUMBERED.  
NUMBERS ONLY APPLY TO DRAWING.
- 3.) UPON COMPLETION OF ASSEMBLY SQUARE  
ALL COMPONENTS THEN TIGHTEN ALL HARDWARE.
- 4.) MOUNT AND ANCHOR AS SPECIFIED.

**TOOLS REQ'D**

- 9/16" WRENCH
- 3/8" HEX DRIVE

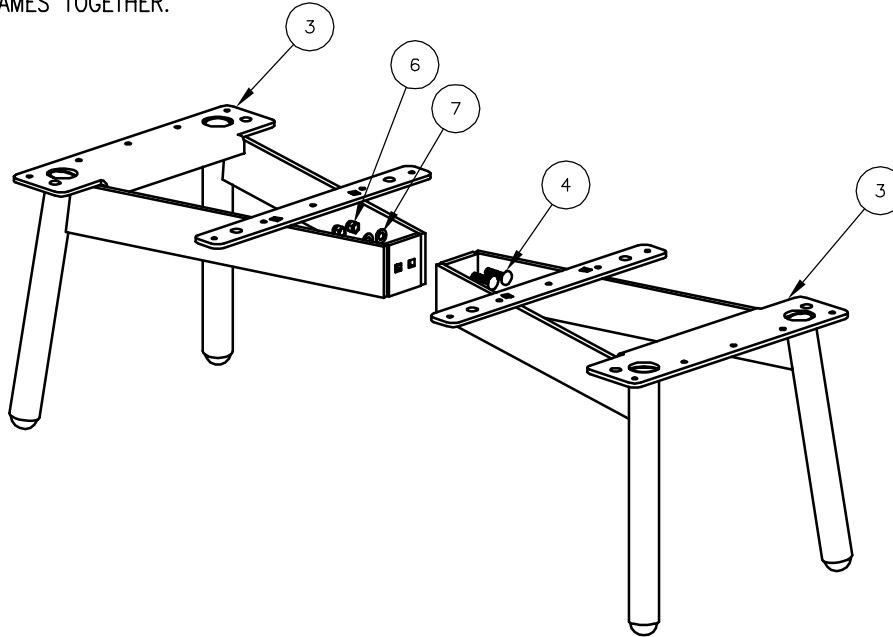
**PARTS LIST**

ITEM	QTY	PART NO	DESCRIPTION
1	3	0-512-40-02	1" X 4" X 47" SLAT, WOOD
2	2	0-512-40-03	1" X 4" X 47" EDGE SLAT, WOOD
3	2	0-516-40-00	STL COFFEE TABLE FRAME ASSEMBLY
4	2	1-11-003	3/8" X 1 1/2" SS CGE BOLT
5	20	1-16-023	#14 X 7/8 SS HX WASH HD 'A' SLTD WD SCREW
6	2	1-20-007	3/8" SS NYLON LOCKNUT
7	2	1-22-024	3/8" SS FLAT WASHER

**KITS PROVIDED**

ITEM	QTY	PART NO	DESCRIPTION
8	1	K-CG0624-2L	3/8" CGE BOLT HARDWARE KIT W/ LOCK NUTS (2PC)
9	1	K-WS1414-20	#14 HEX HD WASH WOOD SCR ( 20PC )

**1 ATTACH TABLE FRAMES TOGETHER.**



**2 ATTACH SLATS TO STEP 1 ASSEMBLY.**

