

NOTES

1.) ALL STL. MEMBERS COATED W/ ZINC RICH EPOXY THEN FINISHED W/ POLYESTER POWDER COATING.

WOOD OPTIONS

- IPE S4S EE
- OTHER _____



TABLE

DATE DRAWN : 10/29/20
 DRAWN BY : RDH
 DATE REV. :
 REV. BY :

REV.
A

DRAWING NUMBER

515-50

SHEET
1 OF 2

NOTES:

- 1.) DURING ASSEMBLY PROCEDURE;
DO NOT COMPLETELY TIGHTEN HARDWARE.
- 2.) THE ACTUAL PARTS WILL NOT BE NUMBERED.
NUMBERS ONLY APPLY TO DRAWING.
- 3.) UPON COMPLETION OF ASSEMBLY SQUARE
ALL COMPONENTS THEN TIGHTEN ALL HARDWARE.
- 4.) MOUNT AND ANCHOR AS SPECIFIED.

TOOLS REQ'D

- 3/4" WRENCH
- 3/8" HEX DRIVE
- 5/16" ALLEN WRENCH

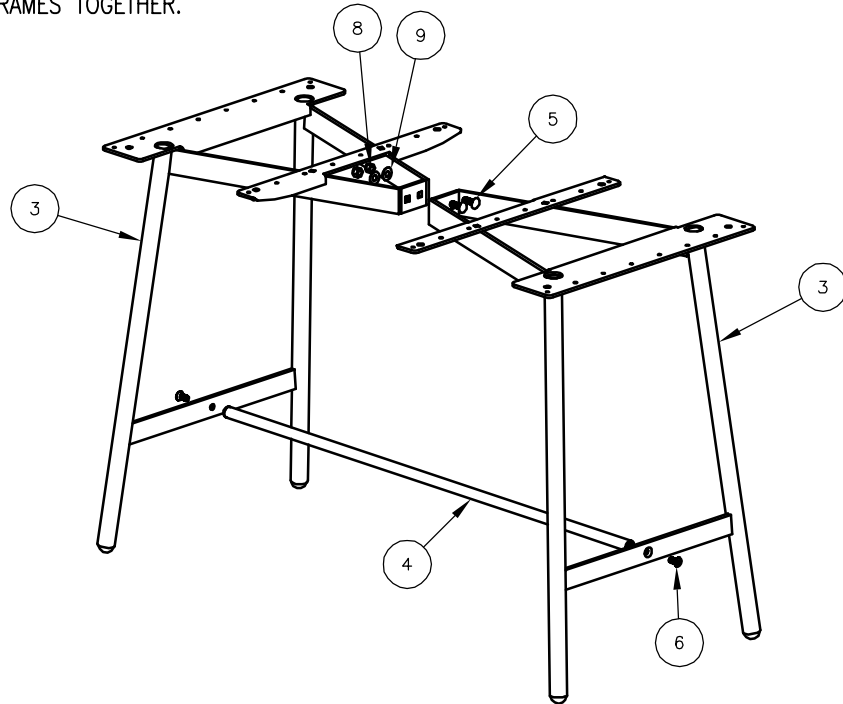
PARTS LIST

ITEM	QTY	PART NO	DESCRIPTION
1	6	0-514-50-02	1" X 4" X 59" TABLE SLAT, WOOD
2	2	0-514-50-03	1" X 4" X 59" TABLE EDGE SLAT, WOOD
3	2	0-515-50-00	STL TABLE FRAME ASSEMBLY, HIGH
4	1	0-PB12-54-00	3/4" SCH 40 PIPE BRACE (54")
5	2	1-11-042	1/2" X 1 1/2" SS CGE BOLT
6	2	1-12-014	1/2" X 1" SS FLT SKT HD CAP SCR
7	32	1-16-023	#14 X 7/8 SS HX WASH HD 'A' SLTD WD SCREW
8	2	1-20-015	1/2" SS NYLON LOCKNUT
9	2	1-22-015	1/2" SS FLAT WASHER

KITS PROVIDED

ITEM	QTY	PART NO	DESCRIPTION
10	1	K-CG0824-2L	1/2" CGE BOLT HARDWARE KIT (2PC)
11	1	K-FC0816-2	1/2" CAP HARDWARE KIT (2 PCS)
12	2	K-WS1414-16	#14 HEX HD WASH WOOD SCR (16PC)

1 ATTACH TABLE FRAMES TOGETHER.



2 ATTACH SLATS TO STEP 1 ASSEMBLY.

