

SLAT OPTIONS

- ANTIQUE MAHOGANY TEXTURED
- BRAZILIAN WALNUT TEXTURED
- OTHER _____

NOTES

1.) ALL ALUM. MEMBERS COATED W/ ZINC RICH EPOXY THEN FINISHED W/ POLYESTER POWDER COATING.



BENCH

DATE DRAWN : 10/14/20
 DRAWN BY : RDH
 DATE REV. :
 REV. BY :

REV.
A

DRAWING
NUMBER

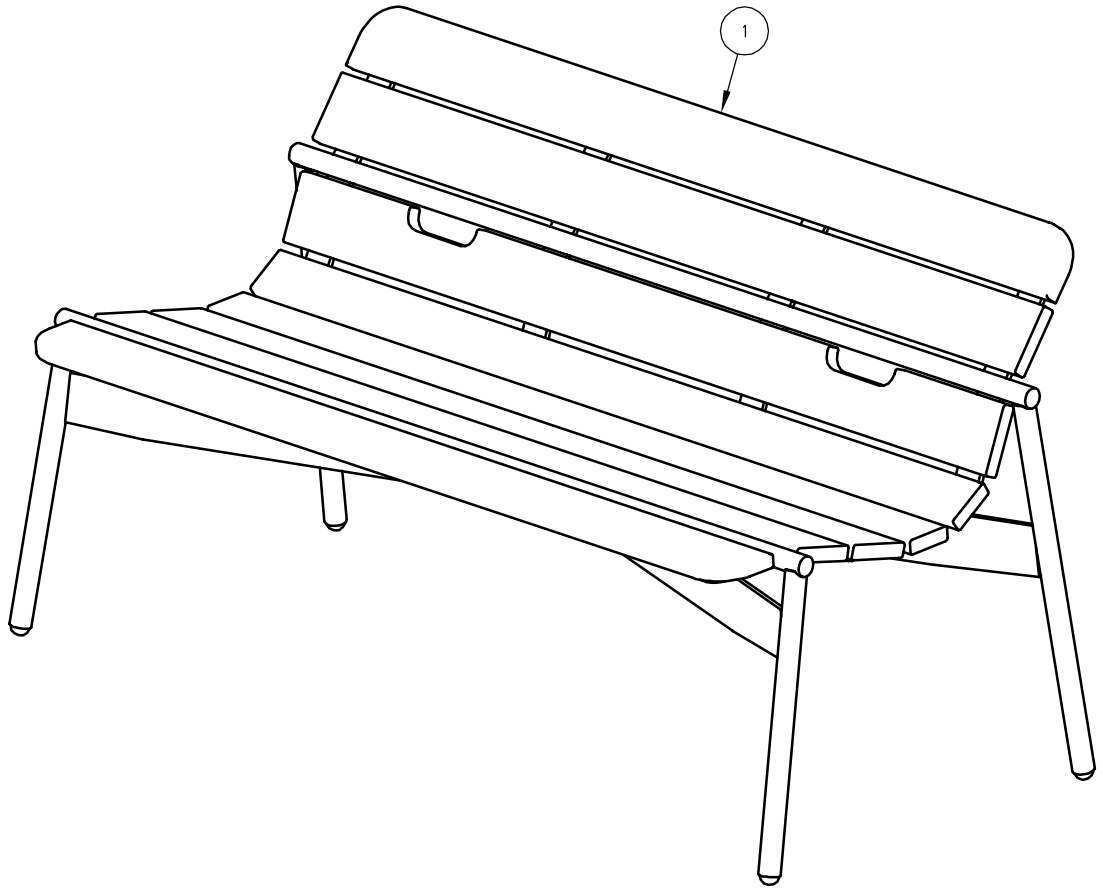
512-40TXNA

SHEET
1 OF 2

NOTE: NO ASSEMBLY REQUIRED.

PARTS LIST

ITEM	QTY	PART NO	DESCRIPTION
1	1	0-512-40TXNA	4' ALUM LOUNGER BENCH, NO ARMS, TX



ASSEMBLY INSTRUCTIONS

DATE DRAWN : 10/14/20
DRAWN BY : RDH
DATE REV. :
REV. BY :

REV. A

DRAWING NUMBER

512-40TXNA

SHEET 2 OF 2