

NOTES:

- 1.) ALL STL. MEMBERS COATED W/ ZINC RICH EPOXY THEN FINISHED W/ POLYESTER POWDER COATING.
- 2.) $1/2'' \times 3 \frac{3}{4}''$ EXPANSION ANCHOR BOLTS PROVIDED

LENGTH OPTIONS

- 6' BENCH
- 8' BENCH



BENCH

DATE DRAWN : 10/13/15
 DRAWN BY : RDH
 DATE REV. :
 REV. BY :

REV.
A

DRAWING NUMBER

495 SERIES

SHEET
1 OF 2

NOTES:

- 1.) DURING ASSEMBLY PROCEDURE; DO NOT COMPLETELY TIGHTEN HARDWARE.
- 2.) THE ACTUAL PARTS WILL NOT BE NUMBERED. NUMBERS ONLY APPLY TO DRAWING.
- 3.) UPON COMPLETION OF ASSEMBLY SQUARE ALL COMPONENTS THEN TIGHTEN ALL HARDWARE.
- 4.) MOUNT AND ANCHOR AS SPECIFIED.

TOOLS REQ'D

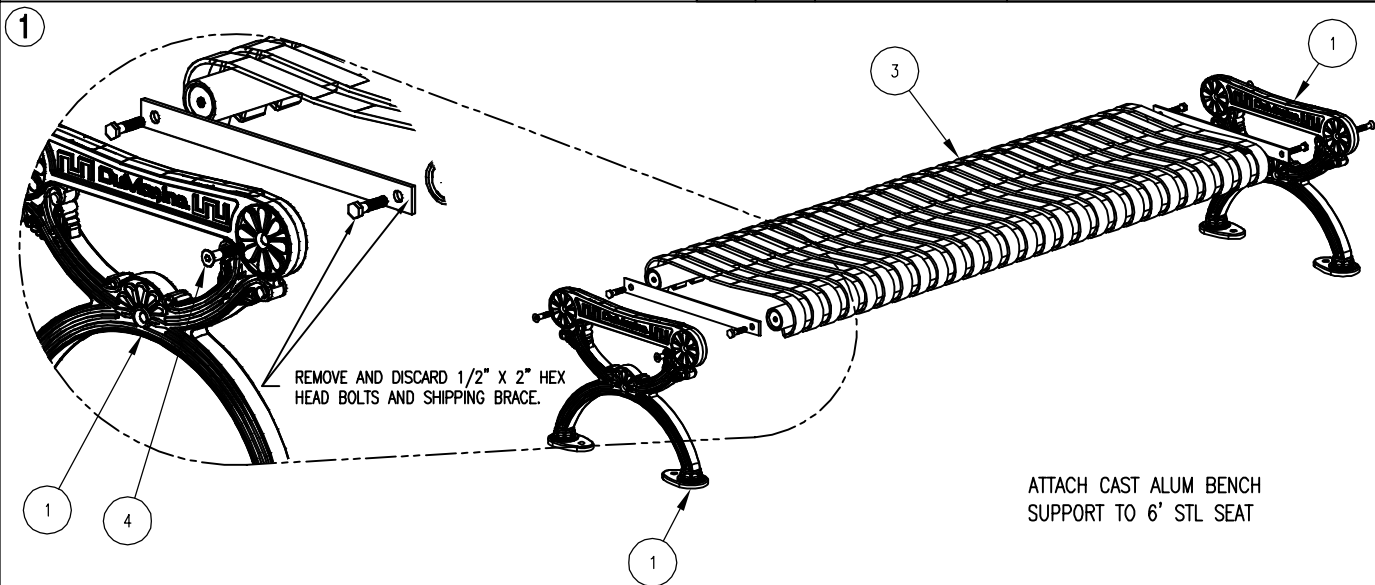
- 3/4" WRENCH
- 5/16" ALLEN WRENCH
- 1/2" MASONRY DRILL BIT
- DRILL
- RATCHET STRAP (PROVIDED)

PARTS LIST

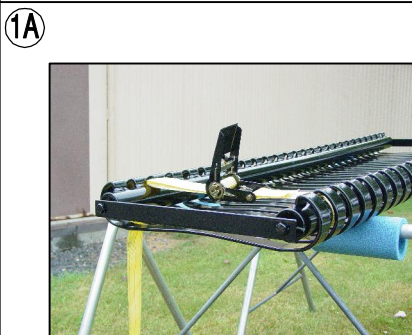
ITEM	QTY	PART NO	DESCRIPTION
1	2	0-492-00-01	CAST ALUM BKLS BENCH SUPPORT, NO ARM
2	1	0-57-60-04	71 3/4" PIPE BRACE
3	1	0-92-60-01	6' STL SEAT
4	6	1-12-065	1/2" X 2 1/2" FLT SKT HD CAP SCR

KITS PROVIDED

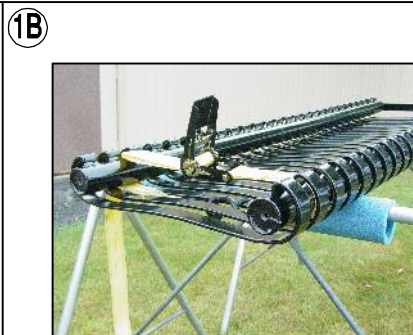
ITEM	QTY	PART NO	DESCRIPTION
5	1	K-ANC0860-4	1/2" X 3 3/4" SS ANCHOR KIT (4PC)
6	1	K-FC0840-6	1/2" CAP HARDWARE KIT (6PC)



ATTACH CAST ALUM BENCH SUPPORT TO 6' STL SEAT



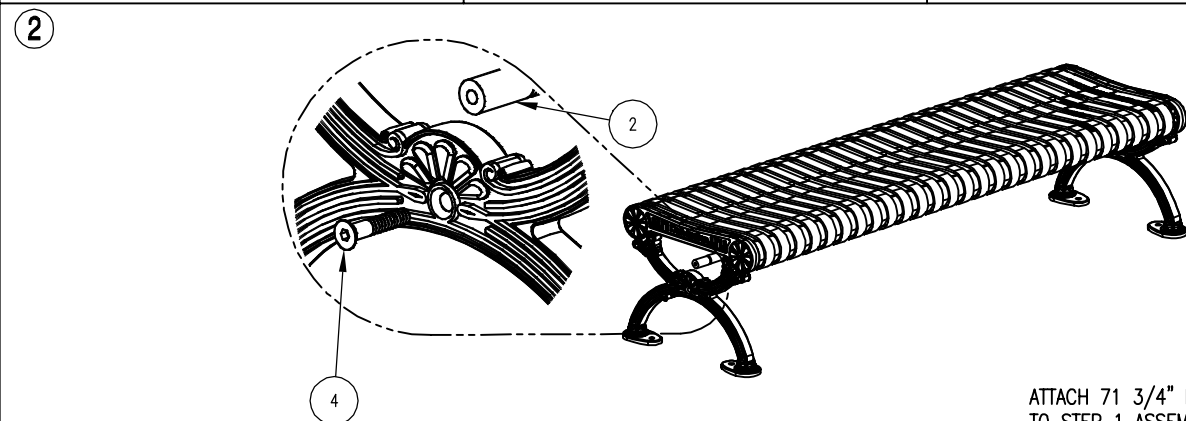
PLACE SEAT ASSEMBLY ON WORK SURFACE ALLOWING ACCESS TO ENDS. PLACE RATCHET STRAP AROUND SEAT ASSEMBLY AS SHOWN ABOVE.



TIGHTEN STRAP UNTIL SHIPPING BRACKET BECOMES LOOSE. THEN REMOVE AND DISCARD BOLTS & SHIPPING BRACKET.

1C ATTACH CAST SUPPORT TO SEAT ASSEMBLY. IF HOLES IN CASTING DO NOT ALIGN WITH THE SEAT ASSEMBLY, ADJUST BY USING THE RATCHET STRAP.

1D TIGHTEN HARDWARE THEN REMOVE RATCHET STRAP AND REPEAT THIS PROCEDURE ON THE OTHER END OF BENCH.



ATTACH 71 3/4" PIPE BRACE TO STEP 1 ASSEMBLY