

CUSTOM LETTERING (47 SPACES) _____

NOTES

- 1.) ALL STL. MEMBERS COATED W/ ZINC RICH EPOXY THEN FINISHED W/ POLYESTER POWDER COATING.
- 2.) 1/2" X 3 3/4" EXPANSION ANCHOR BOLTS PROVIDED.
- 3.) CUSTOM LETTERING AVAILABLE FOR RECESSED SIDE PANELS (TOTAL OF 47 SPACES).

SLAT OPTIONS

- "CEDAR" RECYCLED PLASTIC
- "GREY" RECYCLED PLASTIC
- "REDWOOD" RECYCLED PLASTIC
- "WALNUT" RECYCLED PLASTIC
- OTHER _____



BENCH
PATENT D467-101

DATE DRAWN : 07/30/01
DRAWN BY : AH
DATE REV. : 10/26/11
REV. BY : RDH

REV.
E

DRAWING
NUMBER

143-80PL

SHEET
1 OF 2

NOTES:

- 1.) DURING ASSEMBLY PROCEDURE;
DO NOT COMPLETELY TIGHTEN HARDWARE.
- 2.) THE ACTUAL PARTS WILL NOT BE NUMBERED.
NUMBERS ONLY APPLY TO DRAWING.
- 3.) UPON COMPLETION OF ASSEMBLY SQUARE
ALL COMPONENTS THEN TIGHTEN ALL HARDWARE.
- 4.) MOUNT AND ANCHOR AS SPECIFIED.

TOOLS REQ'D

- 3/4" WRENCH
- 1/2" WRENCH
- 5/16" ALLEN WRENCH
- 1/4" ALLEN WRENCH
- 3/16" ALLEN WRENCH
- 1/2" MASONRY DRILL BIT
DRILL

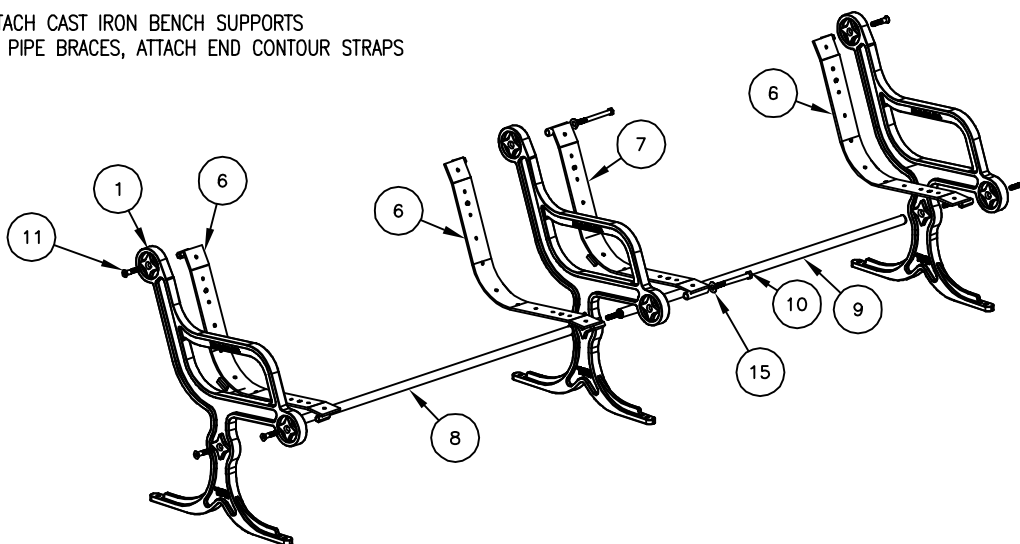
PARTS LIST

ITEM	QTY	PART NO	DESCRIPTION
1	3	0-140-00-01	CAST IRON BENCH SUPPORT
2	18	0-143-40PL-01	2" X 3" X 47" INT'R SLAT, PLASTIC
3	4	0-143-40PL-02	2" X 3" X 47" EDGE SLAT, PLASTIC
4	4	0-16-40-06	47" SEAT BRACE
5	2	0-57-00-03	CENTER CONTOUR STRAP
6	3	0-57-00-05	END CONTOUR STRAP
7	1	0-57-00-06	END STRAP FOR CTR SUPPORT
8	1	0-57-40-04	47 3/4" PIPE BRACE
9	1	0-57-40-05	47 3/4" PIPE BRACE WITH STUD
10	2	1-12-040	1/2" X 5 1/2" SS HEX HD CAP SCR
11	6	1-12-065	1/2" X 2 1/2" FLT SKT HD CAP SCR
12	12	1-12-116	5/16" X 1" SS BTN SKT HD CAP SCR
13	66	1-13-023	5/16" X 1 1/4" SS BTN SKT HD LAG
14	12	1-20-016	5/16" SS NYLON LOCKNUT
15	2	1-22-015	1/2" SS FLAT WASHER
16	90	1-22-017	5/16" SS FLAT WASHER

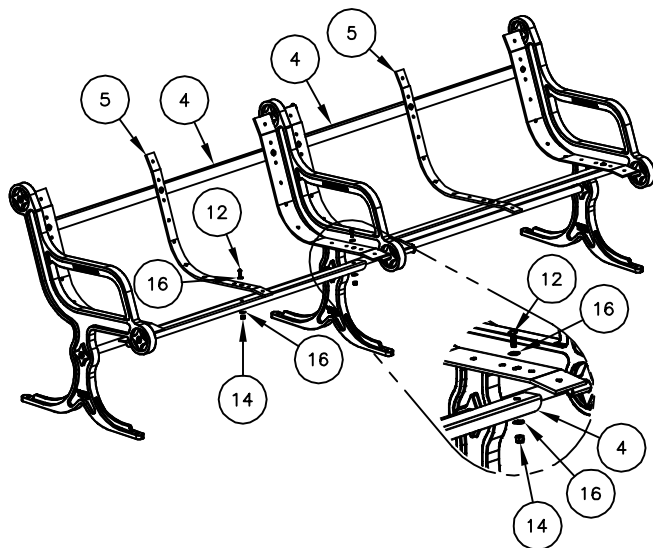
KITS PROVIDED

ITEM	QTY	PART NO	DESCRIPTION
17	2	K-143-40	143-40 SER HARDWARE KIT
18	2	K-ANC0860-3	1/2" X 3 3/4" SS ANCHOR KIT (3PCS)
19	1	K-FC0840-6	1/2" CAP HARDWARE KIT (6PC)
20	1	K-HC0888-2	1/2" CAP HARDWARE KIT (2PC)

① ATTACH CAST IRON BENCH SUPPORTS TO PIPE BRACES, ATTACH END CONTOUR STRAPS



② ATTACH CENTER CONTOUR STRAPS & SEAT BRACES TO STEP 1 THROUGH SLOTTED HOLES.



③ ATTACH SLATS TO STEP 2.

