

WOOD OPTIONS

- CLEAR ALL HEART REDWOOD S4S EE
- 'C' & BTR. DOUGLAS FIR KD S4S EE
- OTHER \_\_\_\_\_

NOTES

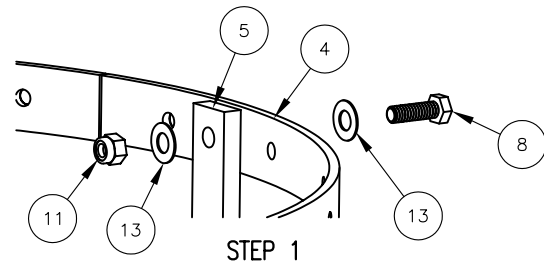
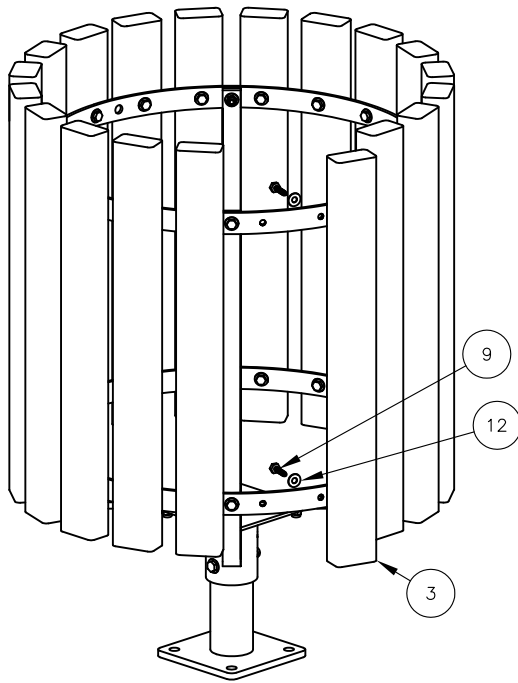
- 1.) ALL STL. MEMBERS COATED W/ ZINC RICH EPOXY THEN FINISHED W/ BLACK POLYESTER POWDER COATING.
- 2.) ALL WOOD MEMBERS TREATED W/ CLEAR PRESERVATIVE.
- 3.) 1/2" X 3 3/4" EXPANSION ANCHOR BOLTS PROVIDED FOR S-2 OPTION.

S-2 SURFACE

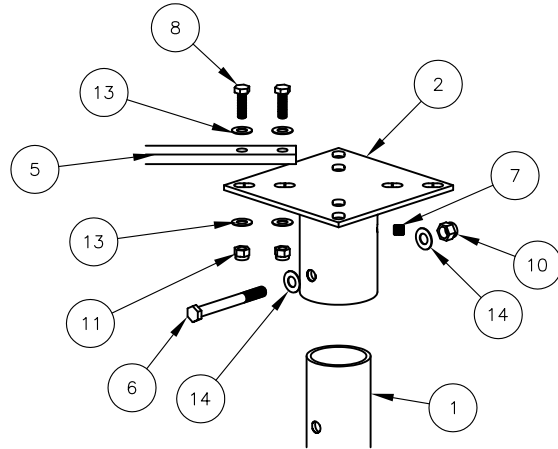
**DuMor, inc.**  
P.O. Box 142 Mifflintown, PA 17059-0142

SCALE :	NONE
DATE DRAWN :	03/22/94
DRAWN BY :	AWH
DATE REV. :	12/17/09
REV. BY :	AWH

TITLE :	RECEPTACLE	
REV.	DRAWING NUMBER	SHEET
1	41-22/46-00	1 OF 2



STEP 1



STEP 2 & STEP 5

**NOTE:**

- 1.) DURING ASSEMBLY PROCEDURE:  
DO NOT COMPLETELY TIGHTEN HARDWARE.
- 2.) THE ACTUAL PARTS WILL NOT BE NUMBERED:  
NUMBERS ONLY APPLY TO DRAWING.
- 3.) SEE SPEC. SHEET 1 FOR OTHER MOUNTING OPTIONS.
- 4.) 2 HOLES IN HOOPS ( 1/2" DIA. ) TO BE LEFT OPEN.

**STEP 1:**

- USE 2 - PCS. HOOP FOR 20 GAL ( 4 )
  - 4 - PCS. "L" SUPPORT STRAP FOR 20 GAL ( 5 )
  - 8 - PCS. 5/16" X 1" SS. HEX HD. CAP SCR. ( 8 )
  - 8 - PCS. 5/16" SS. NYLON LOCK NUT ( 11 )
  - 16 - PCS. 5/16" SS. FLAT WASHER ( 13 )
- ATTACH "L" SUPPORT STRAP ( 5 ) TO HOOP ( 4 ) USING HARDWARE ( 8, 11, & 13 ). TIGHTEN TO SNUG FIT.  
REPEAT UNTIL ALL "L" SUPPORT STRAPS ARE ATTACHED TO HOOPS.

**STEP 2:**

- USE 1 - PC. CENTER BRACKET ( 2 )
  - 8 - PCS. 5/16" X 1" SS. HEX HD. CAP SCR. ( 8 )
  - 8 - PCS. 5/16" SS. NYLON LOCK NUT ( 11 )
  - 16 - PCS. 5/16" SS. FLAT WASHER ( 13 )
- ATTACH CENTER BRACKET TO STEP 1 ASSEMBLY USING HARDWARE ( 8, 11, & 13 ). TIGHTEN TO SNUG FIT.

**STEP 3:**

- USE 20 - PCS. 2" X 3" X 23 3/4" WOOD SLAT ( 3 )
  - 40 - PCS. 1/4" X 1 1/4" SS. HEX HD. LAG SCR. ( 9 )
  - 40 - PCS. 1/4" SS. FLAT WASHER ( 12 )
- ATTACH 2" X 3" X 23 3/4" WOOD SLATS ( 3 ) TO STEP 2 ASSEMBLY USING HARDWARE ( 9 & 12 ). TIGHTEN TO SNUG FIT. REPEAT UNTIL ALL SLATS ARE ATTACHED.

**STEP 4:**

UPON COMPLETION OF BASKET ASSEMBLY SQUARE ALL COMPONENTS THEN TIGHTEN ALL HARDWARE.

**STEP 5:**

- USE 1 - PC. SUPPORT FOR SURFACE MOUNT ( 1 )
  - 1 - PC. 3/8" X 3 1/2" SS. HEX HD. CAP SCR. ( 6 )
  - 1 - PC. 3/8" SS. NYLON LOCK NUT ( 10 )
  - 2 - PC. 3/8" SS. FLAT WASHER ( 14 )
  - 2 - PCS. 3/8" X 3/8" SS. SKT. SET SCR. ( 7 )
- ATTACH SURFACE MOUNT SUPPORT ( 1 ) TO STEP 4 ASSEMBLY USING HARDWARE ( 6, 10, 14, & 7 ) AND TIGHTEN ALL HARDWARE.

**STEP 6:**

TO ATTACH COVER, REMOVE ONE 1/4" X 1 1/4" LAG SCREW AND FASTEN OPEN END OF CABLE TO BASKET USING THE LAG REMOVED.

**STEP 7:**

MOUNT AND ANCHOR AS SPECIFIED.

ITEM	QTY	PART NO	DESCRIPTION
1	1	0-41-00-03/S-2	SUPPORT FOR SURFACE MOUNT
2	1	0-41-00-04	CENTER BRACKET
3	20	0-41-20-01	2" X 3" X 23 3/4" WOOD SLAT
4	2	0-41-20-02	HOOP FOR 20 GAL ( 21 11/16" DIA )
5	4	0-41-20-05	"L" SUPPORT STRAP FOR 20 GAL
6	1	1-12-034	3/8" X 3 1/2" SS HEX HD CAP SCR
7	2	1-12-054	3/8" X 3/8" SS SKT SET SCR
8	16	1-12-061	5/16" X 1" SS HEX HD CAP SCR
9	40	1-13-004	1/4" X 1 1/4" SS HEX HD LAG SCR
10	1	1-20-007	3/8" SS NYLON LOCKNUT
11	16	1-20-016	5/16" SS NYLON LOCKNUT
12	40	1-22-006	1/4" SS FLAT WASHER
13	32	1-22-017	5/16" SS FLAT WASHER
14	2	1-22-024	3/8" SS FLAT WASHER

**DuMor, inc.**  
P.O. Box 142 Mifflintown, PA 17059-0142

SCALE : NONE  
DATE DRAWN : 12/27/09  
DRAWN BY : JSB  
DATE REV. : 12/17/19  
REV. BY : AWH

TITLE : RECEPTACLE ASSEMBLY  
REV. 1  
DRAWING NUMBER 41-22/46-00  
SHEET 2 OF 2