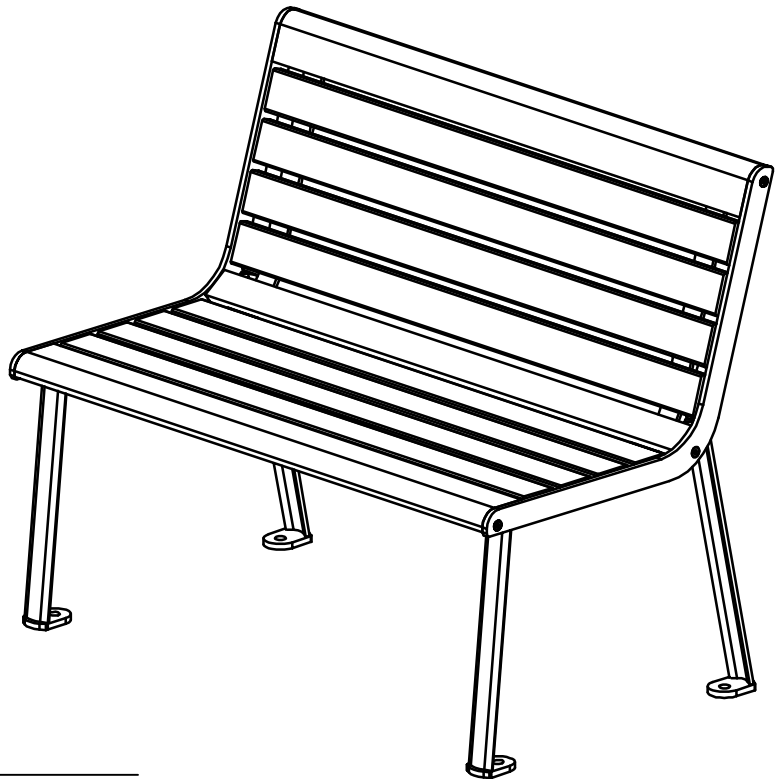


OPTIONAL GLIDE DETAIL



SLAT OPTIONS

- ANTIQUE MAHOGANY TEXTURED
- BRAZILIAN WALNUT TEXTURED
- OTHER _____

NOTES

- 1.) ALL STL. MEMBERS COATED W/ ZINC RICH EPOXY THEN FINISHED W/ POLYESTER POWDER COATING.
- 2.) (4) - 1/2" X 1" NYLON GLIDES PROVIDED.

NOTES:

- 1.) DURING ASSEMBLY PROCEDURE;
DO NOT COMPLETELY TIGHTEN HARDWARE.
- 2.) THE ACTUAL PARTS WILL NOT BE NUMBERED.
NUMBERS ONLY APPLY TO DRAWING.
- 3.) UPON COMPLETION OF ASSEMBLY SQUARE
ALL COMPONENTS THEN TIGHTEN ALL HARDWARE.
- 4.) MOUNT AND ANCHOR AS SPECIFIED.

TOOLS REQ'D

- 3/4" WRENCH
- 1/2" WRENCH
- 1/4" WRENCH
- 3/16" ALLEN WRENCH

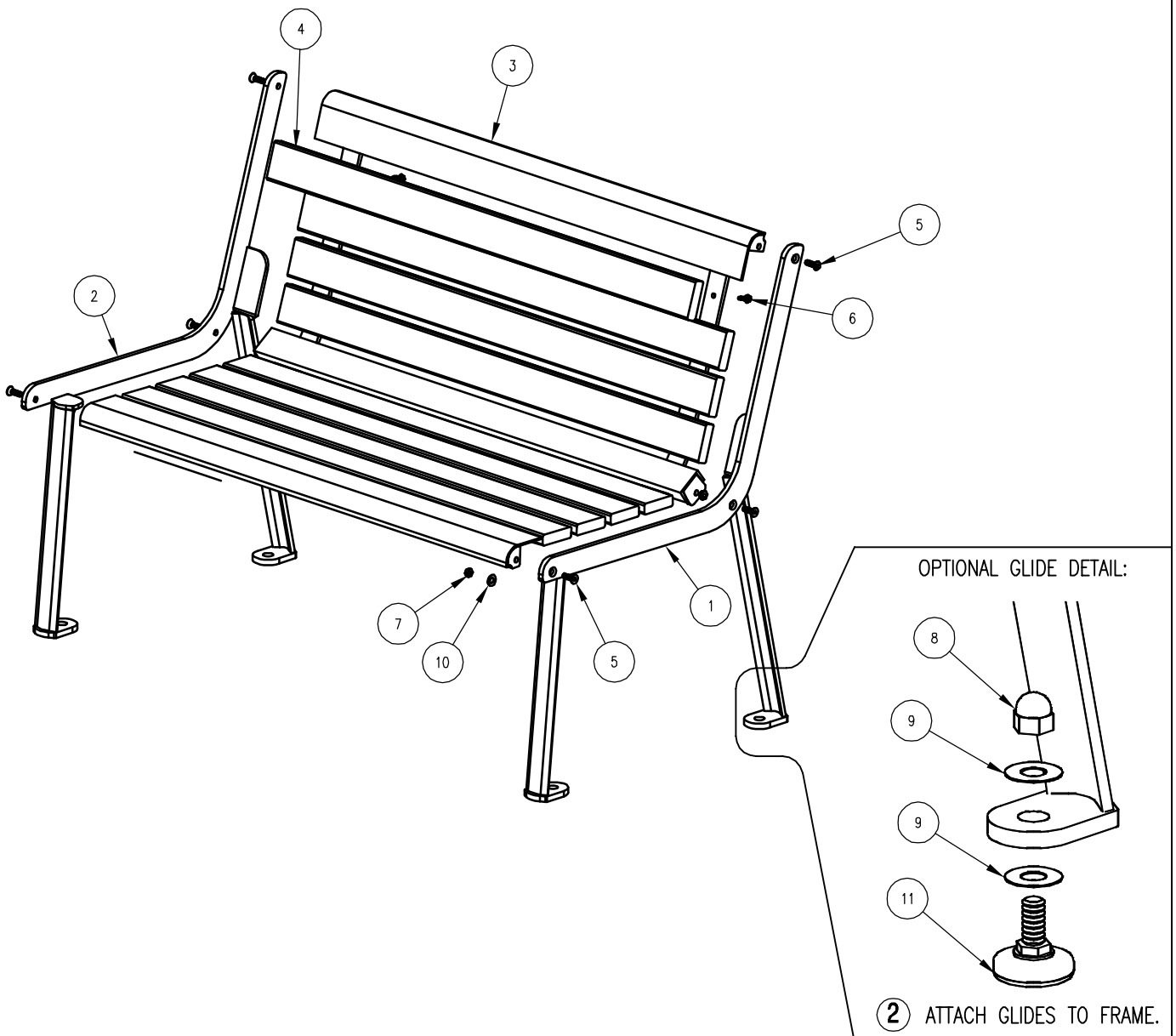
PARTS LIST

ITEM	QTY	PART NO	DESCRIPTION
1	1	0-481-00-01LNA	STL CHAIR FRAME - LEFT, NO ARM
2	1	0-481-00-01RNA	STL CHAIR FRAME - RIGHT, NO ARM
3	1	0-481-40-03	4' STL SEAT FRAME FOR WOOD
4	8	0-481-40TX-04	38 7/8" SEAT SLAT, TX
5	6	1-12-023	5/16" X 1" SS FLT SKT HD CAP SCR
6	16	1-16-023	#14 X 7/8 SS HX WASH HD 'A' SLTD WD SCREW
7	6	1-20-020	5/16" SS THIN NYLON LOCKNUT
8	4	1-21-019	1/2" SS HEX ACORN NUT
9	8	1-22-015	1/2" SS FLAT WASHER
10	6	1-22-017	5/16" SS FLAT WASHER
11	4	5-48-096	1/2" X 1" SWIVEL GLIDE

KITS PROVIDED

ITEM	QTY	PART NO	DESCRIPTION
12	1	K-FC0516-6TL	5/16" CAP HARDWARE KIT (6 PCS)
13	1	K-GL0816-4	1/2" X 1" GLIDE KIT (4PCS)
14	1	K-WS1414-16	#14 HEX HD WASH WOOD SCR (16PC)

- 1** ATTACH STL. SEAT FRAME TO CHAIR FRAMES.
ATTACH SLATS.



- 2** ATTACH GLIDES TO FRAME.