

S-2 SURFACE

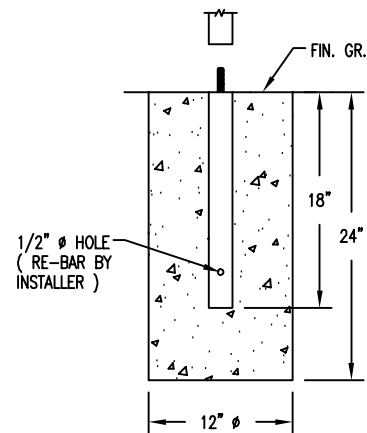
S-5 FREE STANDING

SLAT OPTIONS

- ANTIQUE MAHOGANY TEXTURED
- BRAZILIAN WALNUT TEXTURED
- OTHER _____

NOTES:

- 1.) ALL STL. MEMBERS COATED W/ ZINC RICH EPOXY THEN FINISHED W/ POLYESTER POWDER COATING.
- 2.) 1/2" x 3 3/4" EXPANSION ANCHOR BOLTS PROVIDED FOR S-2.



S-1 EMBEDMENT



TABLE

DATE DRAWN : 11/06/18
 DRAWN BY : ESS
 DATE REV. :
 REV. BY :

REV.
A

DRAWING
NUMBER

299-60TX

SHEET
1 OF 2

NOTES:

- 1.) DURING ASSEMBLY PROCEDURE;
DO NOT COMPLETELY TIGHTEN HARDWARE.
- 2.) THE ACTUAL PARTS WILL NOT BE NUMBERED.
NUMBERS ONLY APPLY TO DRAWING.
- 3.) UPON COMPLETION OF ASSEMBLY SQUARE
ALL COMPONENTS THEN TIGHTEN ALL HARDWARE.
- 4.) MOUNT AND ANCHOR AS SPECIFIED.

TOOLS REQ'D

- 3/4" WRENCH
- 1/4" ALLEN WRENCH
- 5/16" ALLEN WRENCH
- 1/2" MASONRY DRILL BIT
DRILL

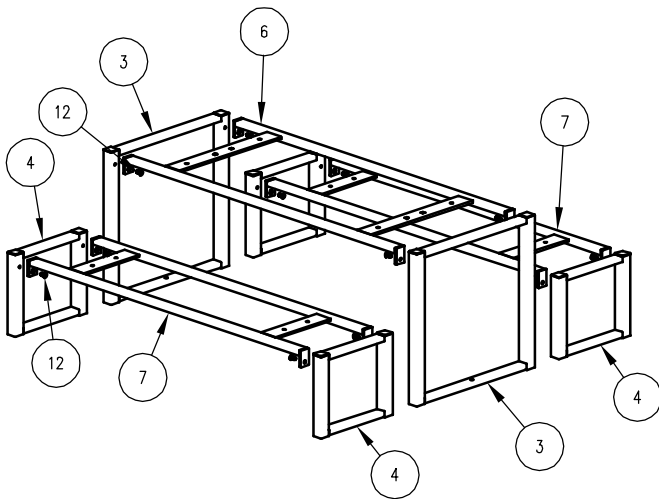
PARTS LIST FOR S-2

ITEM	QTY	PART NO	DESCRIPTION
1	1	0-298-60-05	6' STL TABLE FRAME FOR PLASTIC
2	2	0-298-60-06	6' BKLS STL SEAT FRAME FOR PLASTIC
3	2	0-299-00-01	STL TABLE END SUPPORT
4	4	0-299-00-02	STL SEAT END SUPPORT
5	2	0-299-00-06	STL TABLE BRACE
6	1	0-299-60-03	6' STL TABLE SUB FRAME
7	2	0-299-60-04	6' STL SEAT SUB FRAME
8	16	0-472-60TX-03	2" X 3" X 71" INT'R SLAT, TX
9	12	0-94-00-02/S-2	SURFACE MOUNT FOOT PAD, PC
10	12	1-11-042	1/2" X 1 1/2" SS CGE BOLT
11	4	1-11-043	1/2" X 1" SS CGE BOLT
12	12	1-12-014	1/2" X 1" SS FLT SKT HD CAP SCR
13	2	1-12-030	1/2" X 1 1/2" SS BTN SKT HD CAP SCR
14	64	1-13-023	5/16" X 1 1/2" SS BTN SKT HD LAG
15	16	1-20-015	1/2" SS NYLON LOCKNUT
16	16	1-22-015	1/2" SS FLAT WASHER
17	64	1-22-017	5/16" SS FLAT WASHER

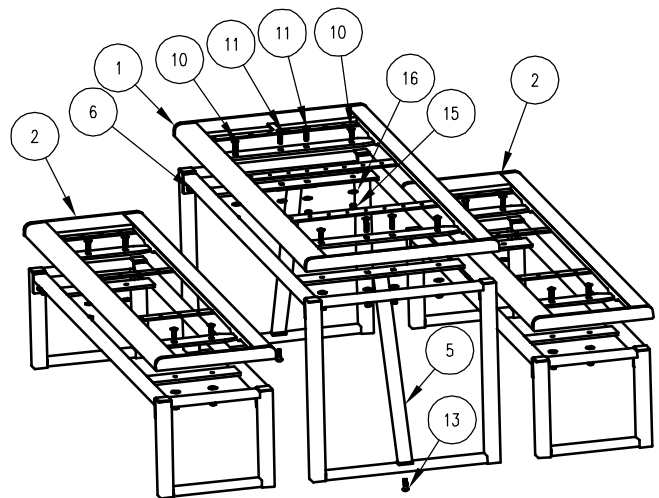
KITS PROVIDED FOR S-2

ITEM	QTY	PART NO	DESCRIPTION
18	3	K-ANC0860-4	1/2" X 3 3/4" SS ANCHOR KIT (4PC)
19	1	K-BC0824-2	1/2" CAP HARDWARE KIT (2PC)
20	2	K-BL0524-33	5/16" LAG HARDWARE KIT (33PC)
21	3	K-CG0824-4L	1/2" CGE BOLT HARDWARE KIT (4)
22	2	K-CG0832-2L	1/2" CGE BOLT HARDWARE KIT (2)
23	3	K-FC0816-4	1/2" CAP HARDWARE KIT (4 PCS)

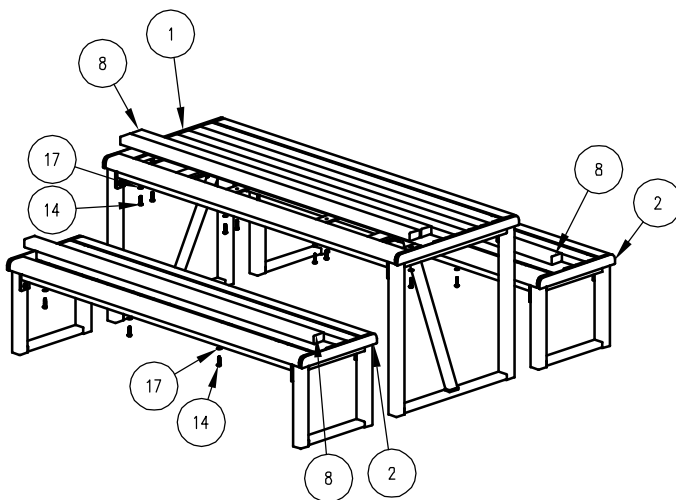
1 ATTACH SUB FRAME TO END SUPPORTS.



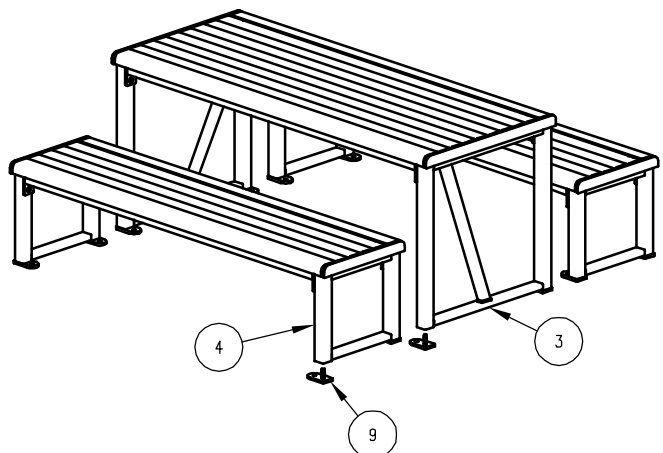
2 ATTACH TABLE & SEAT FRAMES TO STEP 1. ATTACH BRACE.



3 ATTACH SLATS TO STEP 2.



4 ATTACH SURFACE MOUNT FOOT PADS TO STEP 3.



ASSEMBLY INSTRUCTIONS

DATE DRAWN : 11/06/18
 DRAWN BY : ESS
 DATE REV. :
 REV. BY :

REV. A

DRAWING NUMBER

299-60TX

SHEET 2 OF 2