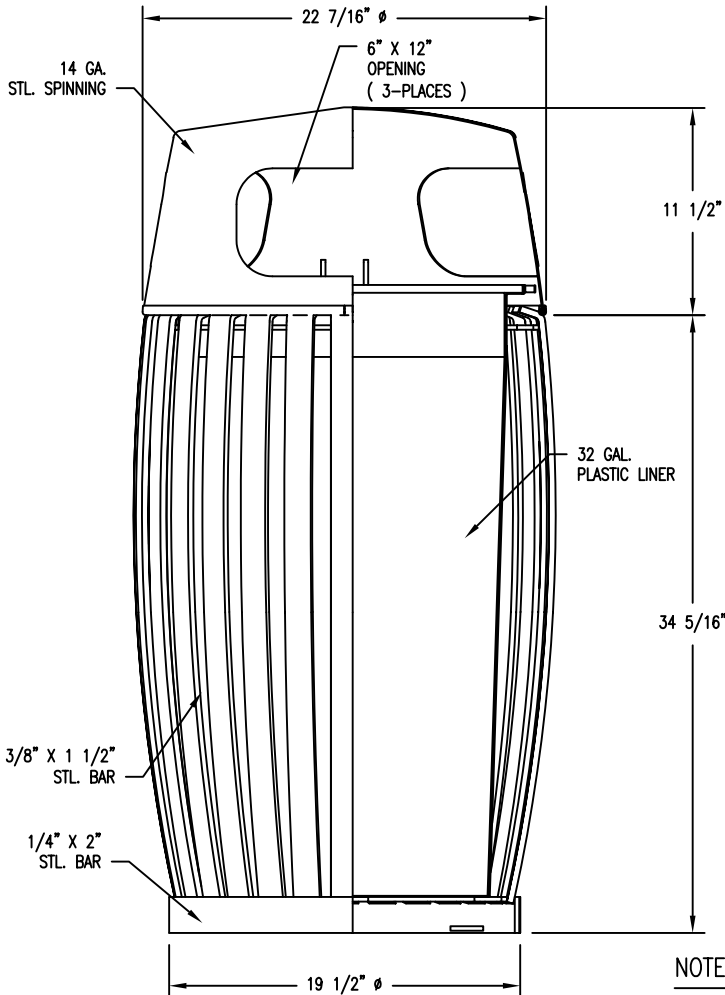
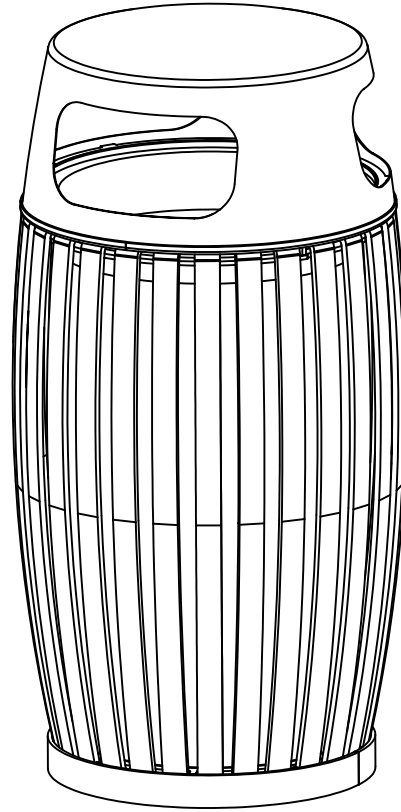
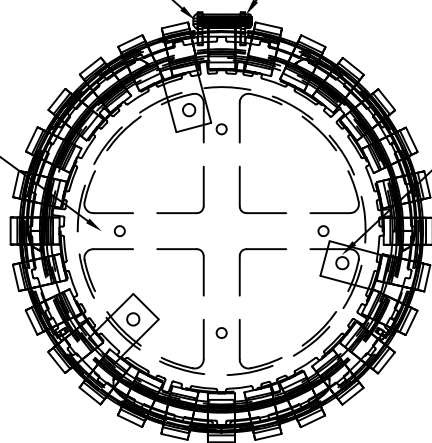


1/2" X 3" S.STL.  
BTN. SKT. HD. CAP SCR. W/  
WASHER & NYLON LOCKNUT

STL. HINGE

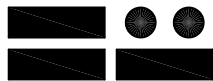
1/4" THK.  
STL. PLATE

1/4" X 2" STL.  
ANCHOR PLATE W/  
11/16" Ø HOLE  
( 3-PLACES )



NOTES

- 1.) ALL STL. MEMBERS COATED W/ ZINC RICH EPOXY THEN FINISHED W/ POLYESTER POWDER COATING.
- 2.) 1/2" X 3 3/4" EXPANSION ANCHOR BOLTS PROVIDED.



DuMor, inc.

P.O. Box 142 Mifflintown, PA 17059-0142

SCALE : NONE  
DATE DRAWN : 08/09/11  
DRAWN BY : ESS  
DATE REV. :  
REV. BY :

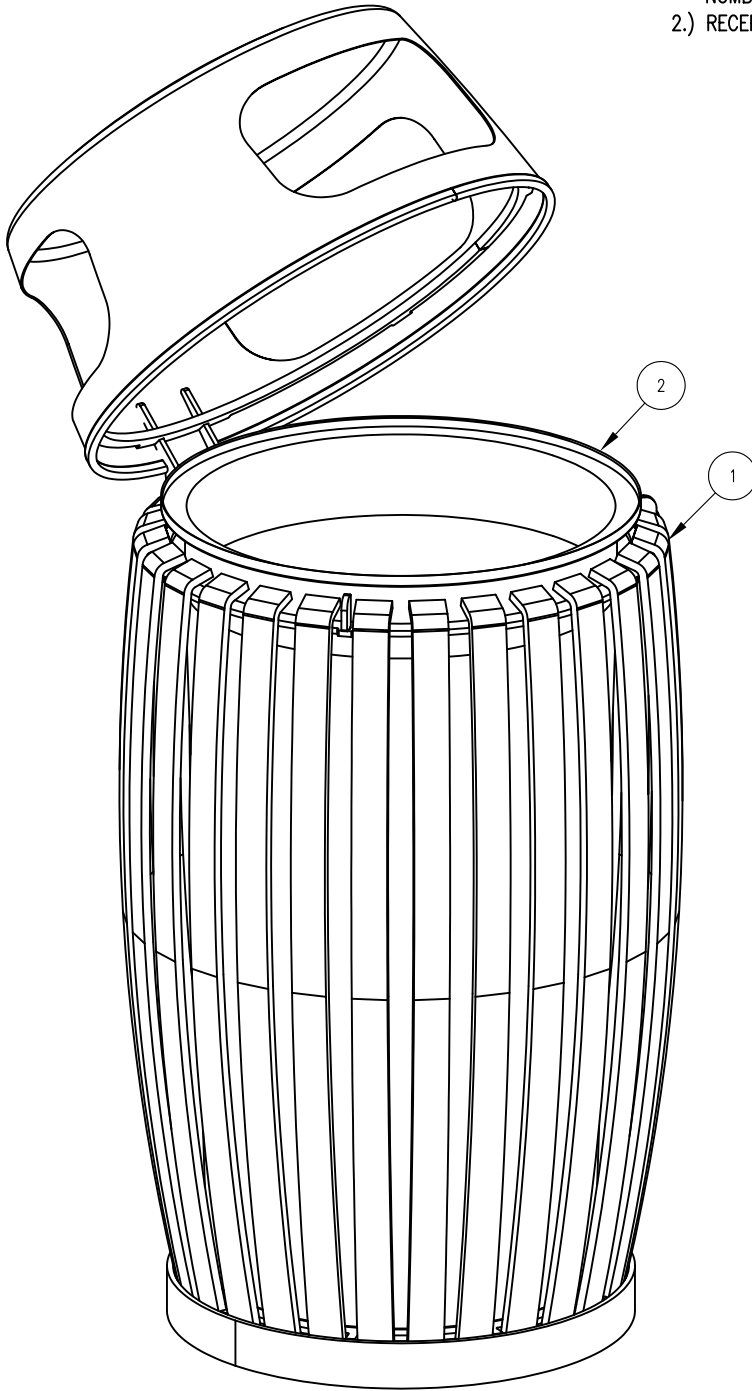
TITLE : RECEPTACLE

REV. A DRAWING NUMBER 429-32-S03

SHEET 1 OF 2

**NOTE:**

- 1.) THE ACTUAL PARTS WILL NOT BE NUMBERED:  
NUMBERS ONLY APPLY TO DRAWING.
- 2.) RECEPTACLE FULLY ASSEMBLED AT FACTORY.



ITEM	QTY	PART NO	DESCRIPTION
1	1	0-429-S03	30 GAL STL RECEPT ASMBLY, ( 3 ) SIDE OPENINGS
2	1	5-44-053	32 GAL PLASTIC LINER
3	1	K-ANC0860-3	1/2" X 3 3/4" SS ANCHOR KIT (3PCS)



**DuMor, inc.**  
P.O. Box 142 Mifflintown, PA 17059-0142

SCALE : NONE  
 DATE DRAWN : 08/09/11  
 DRAWN BY : ESS  
 DATE REV. :  
 REV. BY :

TITLE : RECEPTACLE

REV. A	DRAWING NUMBER 429-32-S03	SHEET 2 OF 2
--------	---------------------------	--------------