

NOTES

- 1.) ALL STL. MEMBERS COATED W/ ZINC RICH EPOXY THEN FINISHED W/ POLYESTER POWDER COATING.
- 2.) 1/2" X 3 3/4" EXPANSION ANCHOR BOLTS PROVIDED.
- 3.) CUSTOM LETTERING AVAILABLE FOR RECESSED SIDE PANELS (TOTAL OF 37 SPACES).

CUSTOM LETTERING (37 SPACES) _____

SLAT OPTIONS

- ANTIQUE MAHOGANY TEXTURED
- BRAZILIAN WALNUT TEXTURED
- OTHER _____



BENCH

DATE DRAWN : 11/08/18
 DRAWN BY : ESS
 DATE REV. :
 REV. BY :

REV.
A

DRAWING NUMBER

57-60TX

SHEET
1 OF 3

NOTE:

- 1.) DURING ASSEMBLY PROCEDURE;
DO NOT COMPLETELY TIGHTEN HARDWARE.
- 2.) THE ACTUAL PARTS WILL NOT BE NUMBERED.
NUMBERS ONLY APPLY TO DRAWING.
- 3.) UPON COMPLETION OF ASSEMBLY SQUARE
ALL COMPONENTS THEN TIGHTEN ALL HARDWARE.
- 4.) MOUNT AND ANCHOR AS SPECIFIED.

TOOLS REQ'D

- 3/4" WRENCH
- 1/2" WRENCH
- 5/16" ALLEN WRENCH
- 1/4" ALLEN WRENCH
- 3/16" ALLEN WRENCH
- 1/2" MASONRY DRILL BIT
- DRILL

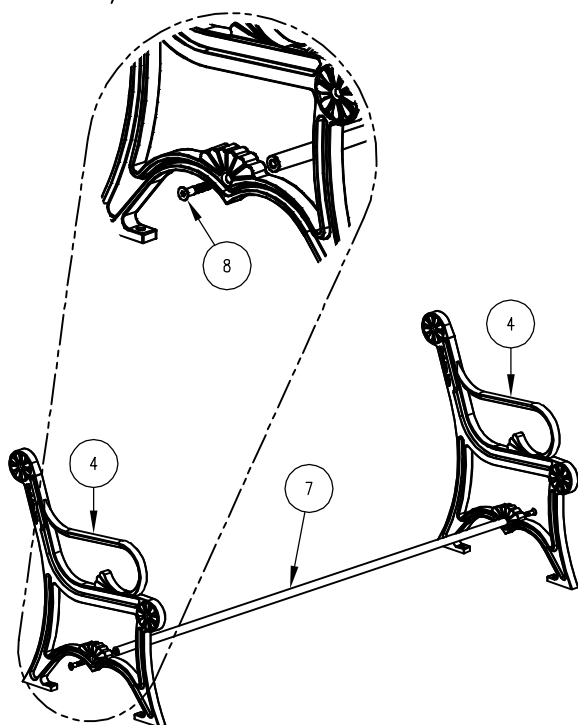
PARTS LIST

ITEM	QTY	PART NO	DESCRIPTION
1	9	0-143-60TX-01	2" X 3" X 71" INT'R SLAT, TX
2	2	0-143-60TX-02	2" X 3" X 71" EDGE SLAT, TX
3	2	0-16-60-06	71" SEAT BRACE
4	2	0-57-00-02	CAST IRON BENCH SUPPORT W/BACK
5	2	0-57-00-03	CENTER CONTOUR STRAP
6	2	0-57-00-05	END CONTOUR STRAP
7	1	0-57-60-04	71 3/4" PIPE BRACE
8	6	1-12-065	1/2" X 2 1/2" FLT SKT HD CAP SCR
9	8	1-12-116	5/16" X 1" SS BTN SKT HD CAP SCR
10	44	1-13-023	5/16" X 1 1/2" SS BTN SKT HD LAG
11	8	1-20-016	5/16" SS NYLON LOCKNUT
12	60	1-22-017	5/16" SS FLAT WASHER

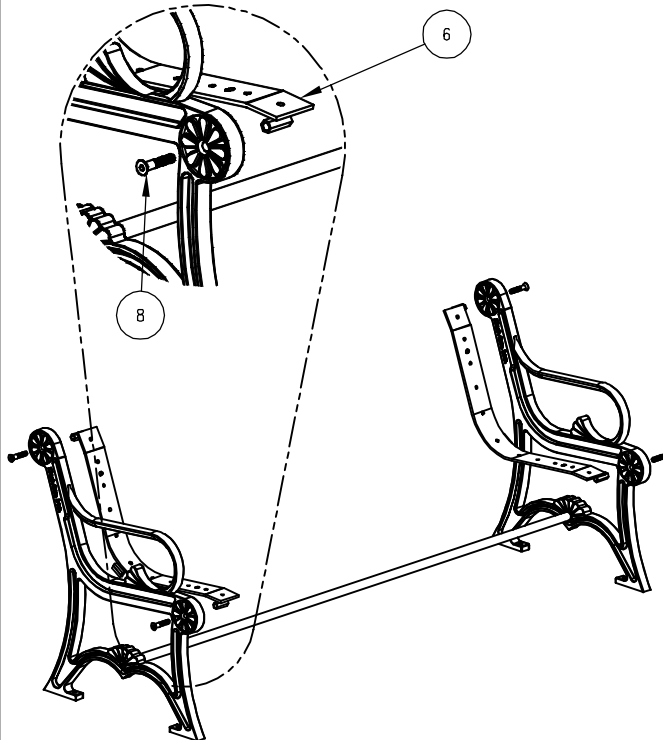
KITS PROVIDED

ITEM	QTY	PART NO	DESCRIPTION
13	1	K-143-60	143-60 SER HARDWARE KIT
14	1	K-ANC0860-4	1/2" X 3 3/4" SS ANCHOR KIT (4PC)
15	1	K-FC0840-6	1/2" CAP HARDWARE KIT (6PC)

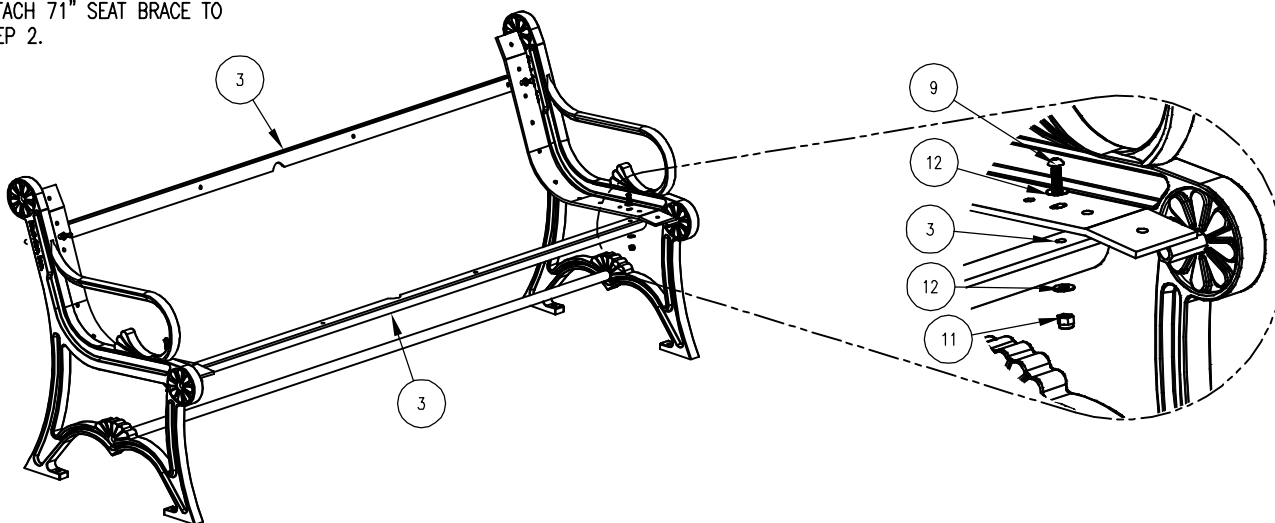
1 ATTACH CAST BENCH SUPPORT TO 71 3/4" PIPE BRACE.



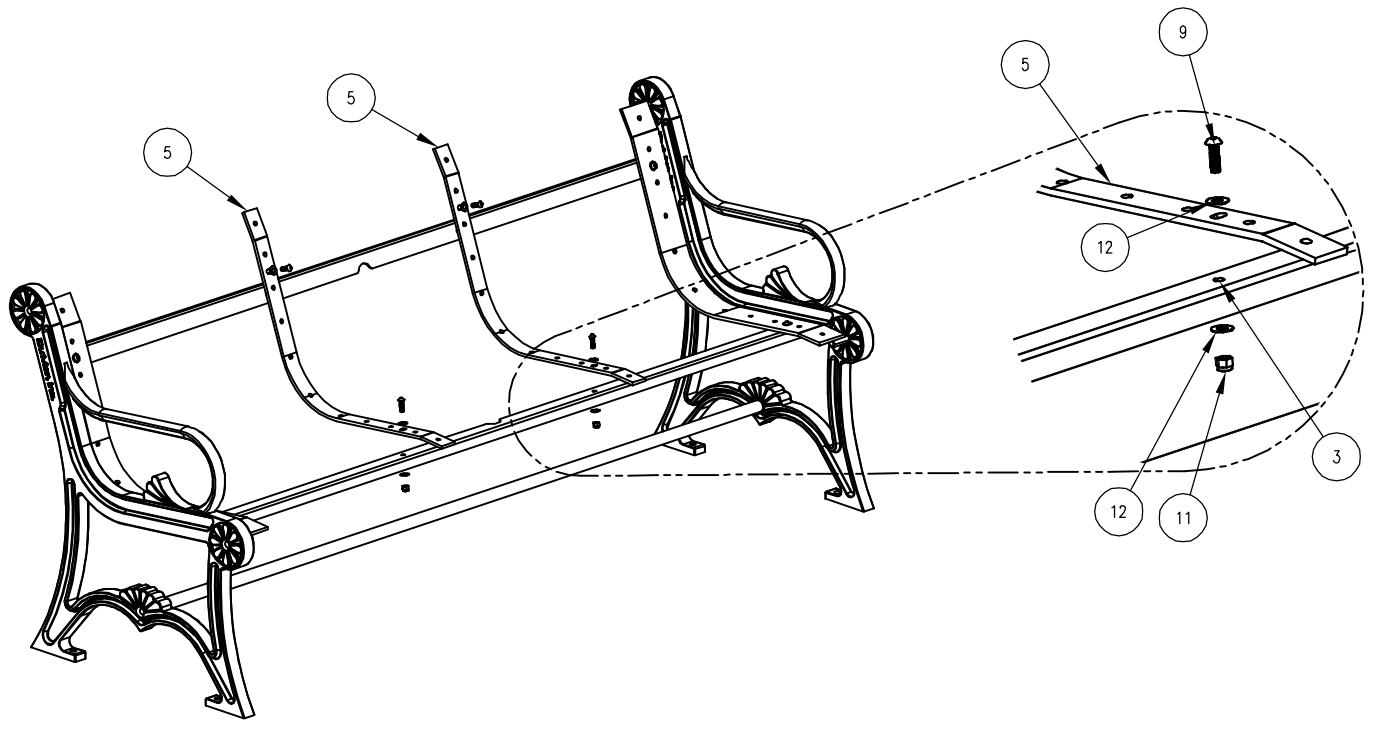
2 ATTACH END CONTOUR STRAPS TO STEP 1.



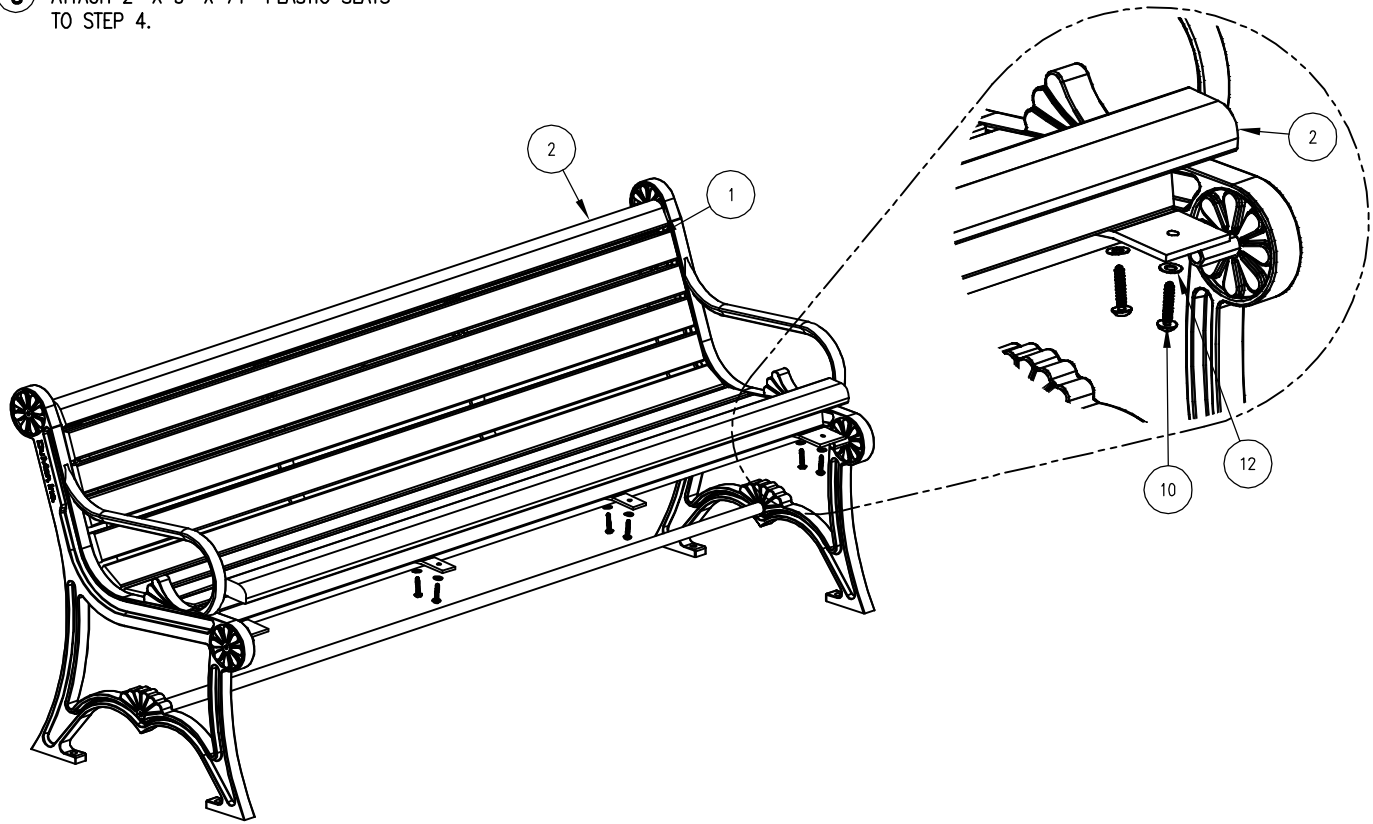
3 ATTACH 71" SEAT BRACE TO STEP 2.



4 ATTACH CENTER CONTOUR STRAPS TO STEP 3.



5 ATTACH 2" X 3" X 71" PLASTIC SLATS TO STEP 4.



ASSEMBLY INSTRUCTIONS

DATE DRAWN : 11/08/18
 DRAWN BY : ESS
 DATE REV. :
 REV. BY :

REV. A

DRAWING NUMBER

57-60TX

SHEET 3 OF 3