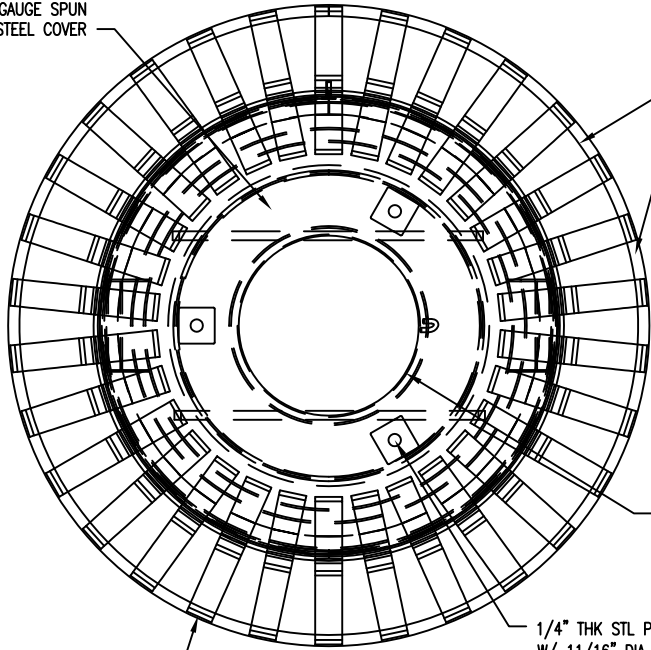


14 GAUGE SPUN
STEEL COVER

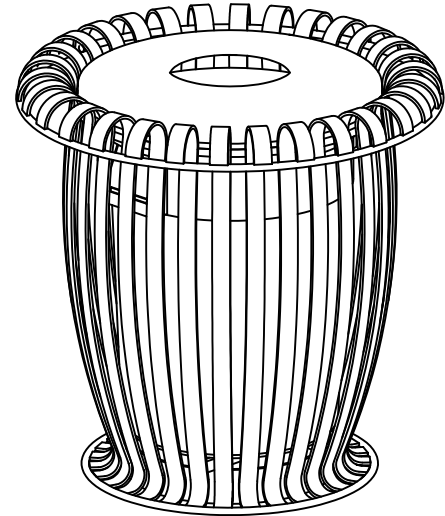
EQ. SPACES



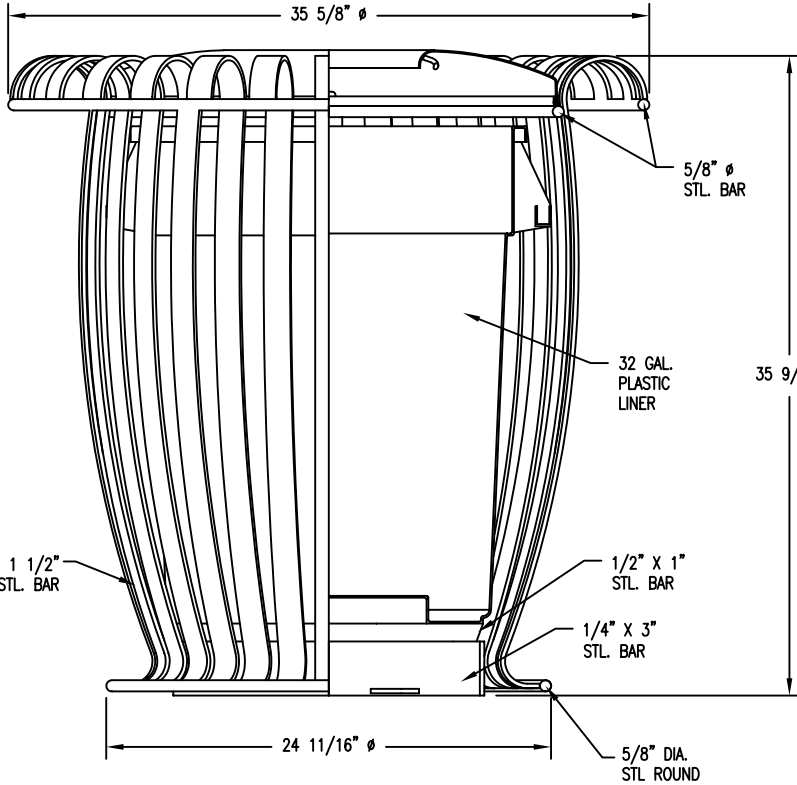
Ø10"
OPENING

1/4" THK STL PLATE
W/ 11/16" DIA ANCHOR HOLES.
(3 PLACES)

ALL WELDS CONT.
THEN GROUND SMOOTH



35 5/8" Ø



5/8" Ø
STL. BAR

35 9/16"

32 GAL.
PLASTIC
LINER

1/4" X 1 1/2"
STL. BAR

1/2" X 1"
STL. BAR

1/4" X 3"
STL. BAR

24 11/16" Ø

5/8" DIA.
STL. ROUND

NOTES:

- 1.) ALL STL. MEMBERS COATED W/ ZINC RICH EPOXY THEN FINISHED W/ POLYESTER POWDER COATING.
- 2.) 1/2" X 3 3/4" EXPANSION ANCHOR BOLTS PROVIDED.
- 3.) RECEPTACLE FULLY ASSEMBLED AT FACTORY.



DuMor, inc.

P.O. Box 142 Mifflintown, PA 17059-0142

SCALE :

NONE

TITLE :

RECEPTACLE

DATE DRAWN : 10/19/09

DRAWN BY : AWH

REV.

DRAWING
NUMBER

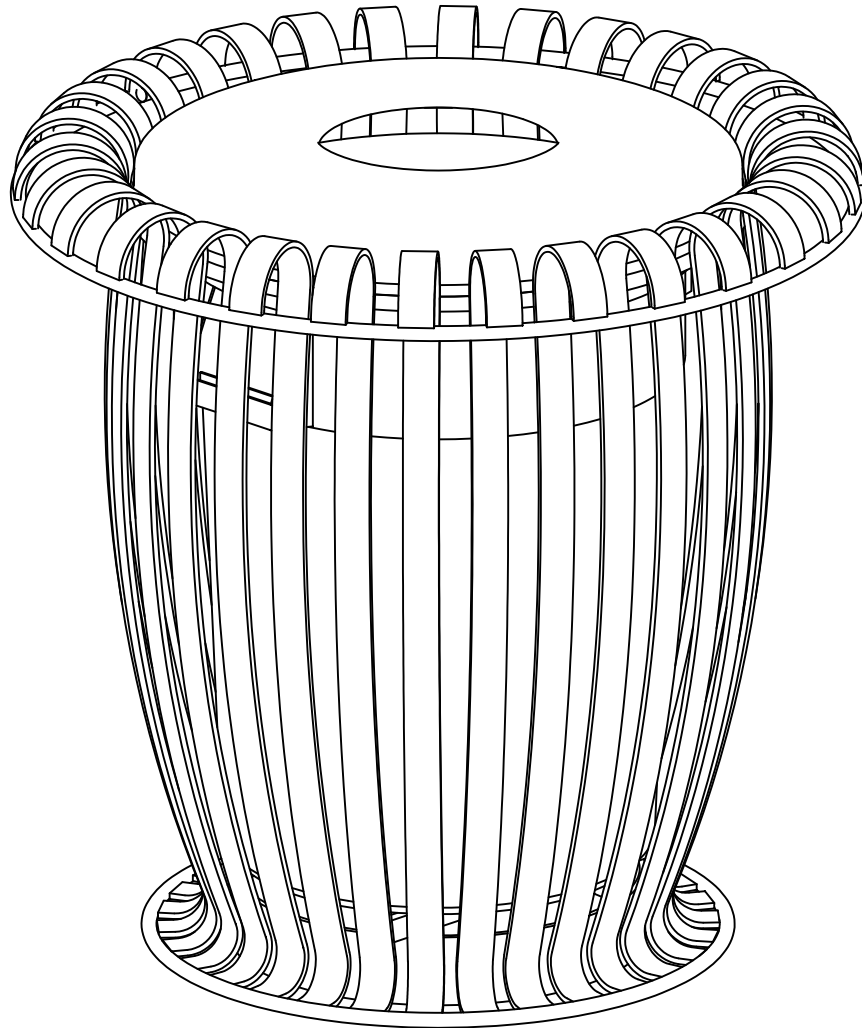
183-32-FTO

DATE REV. :

A

REV. BY :

SHEET
1 OF 2



NOTE:

- 1.) RECEPTACLE SHIPPED FULLY ASSEMBLED.
- 2.) COVER ATTACHED W/ 1/8" VINYL COATED CABLE.
- 3.) MOUNT AND ANCHOR AS SPECIFIED.



DuMor, inc.

P.O. Box 142 Mifflintown, PA 17059-0142

SCALE :	NONE
DATE DRAWN :	10/19/09
DRAWN BY :	AWH
DATE REV. :	
REV. BY :	

TITLE :	RECEPTACLE ASSEMBLY		
REV.	DRAWING NUMBER		SHEET
A	183-32-FT0		2 OF 2