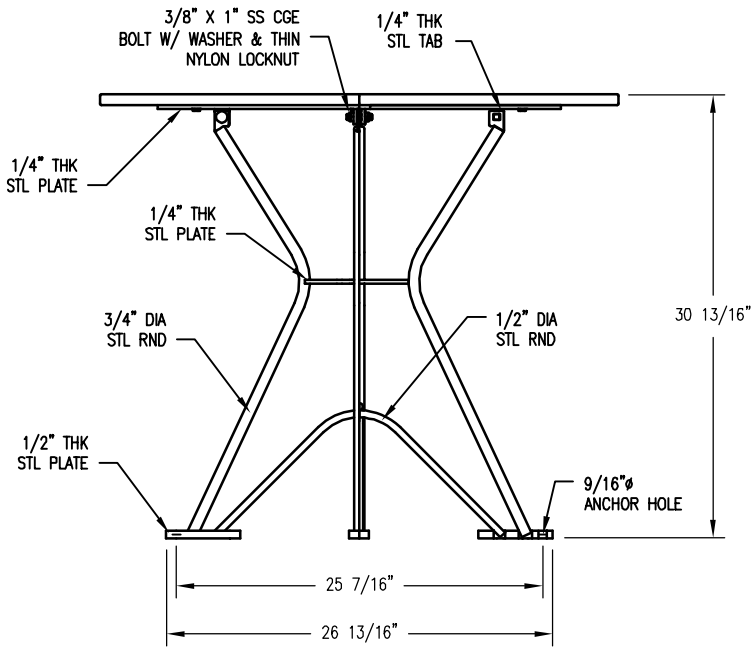


3/4" SHEET PLASTIC
(SEE PLASTIC OPTIONS)

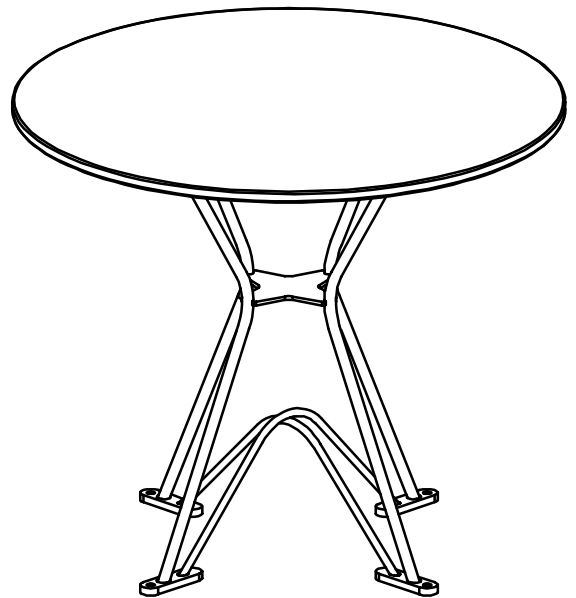


PLASTIC OPTIONS

- "CEDAR" RECYCLED PLASTIC
- "GREY" RECYCLED PLASTIC
- "REDWOOD" RECYCLED PLASTIC
- "WALNUT" RECYCLED PLASTIC
- OTHER _____

NOTES:

- 1.) ALL STL. MEMBERS COATED W/ ZINC RICH EPOXY THEN FINISHED W/ POLYESTER POWDER COATING.
- 2.) 1/2" X 1" NYLON GLIDES & 1/2" X 3 3/4" EXPANSION ANCHOR BOLTS PROVIDED.



TABLE

DATE DRAWN : 12/19/16
 DRAWN BY : RDH
 DATE REV. :
 REV. BY :

REV.
A

DRAWING
NUMBER

484-36PL

SHEET
1 OF 2

NOTES:

- 1.) DURING ASSEMBLY PROCEDURE;
DO NOT COMPLETELY TIGHTEN HARDWARE.
- 2.) THE ACTUAL PARTS WILL NOT BE NUMBERED.
NUMBERS ONLY APPLY TO DRAWING.
- 3.) UPON COMPLETION OF ASSEMBLY SQUARE
ALL COMPONENTS THEN TIGHTEN ALL HARDWARE.
- 4.) MOUNT AND ANCHOR AS SPECIFIED.

TOOLS REQ'D

- 3/4" WRENCH
- 9/16" WRENCH
- 1/2" MASONRY DRILL BIT
DRILL

PARTS LIST

ITEM	QTY	PART NO	DESCRIPTION
1	1	0-484-00-01	STL TABLE FRAME
2	1	0-484-36PL-02	36" DIA TABLE TOP ASSEMBLY, PLASTIC
3	4	1-11-028	3/8" X 1" SS CGE BOLT
4	4	1-20-019	3/8" SS THIN NYLON LOCKNUT
5	4	1-22-024	3/8" SS FLAT WASHER

KITS PROVIDED

ITEM	QTY	PART NO	DESCRIPTION
6	1	K-ANC0860-4	1/2" X 3 3/4" SS ANCHOR KIT (4PC)
7	1	K-CG0616-4TL	3/8" CGE BOLT HARDWARE KIT (4PC)
8	1	K-GL0816-4	1/2" X 1" GLIDE KIT (4PCS)

① ATTACH TABLE TOP TO TABLE FRAME.

