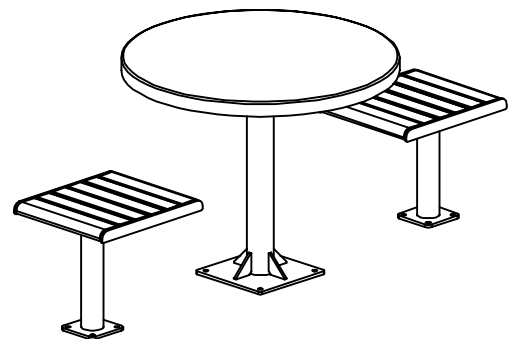


WOOD OPTIONS

- IPE S4S EE
- OTHER _____

NOTES:

- 1.) ALL STL. MEMBERS COATED W/ ZINC RICH EPOXY THEN FINISHED W/ POLYESTER POWDER COATING.
- 2.) 1/2 inch x 3 3/4 inch EXPANSION ANCHOR BOLTS PROVIDED FOR S-2 OPTION.



NOTES:

- 1.) DURING ASSEMBLY PROCEDURE;
DO NOT COMPLETELY TIGHTEN HARDWARE.
- 2.) THE ACTUAL PARTS WILL NOT BE NUMBERED.
NUMBERS ONLY APPLY TO DRAWING.
- 3.) UPON COMPLETION OF ASSEMBLY SQUARE
ALL COMPONENTS THEN TIGHTEN ALL HARDWARE.
- 4.) MOUNT AND ANCHOR AS SPECIFIED.

TOOLS REQ'D

- 3/4" WRENCH
- 1/4" WRENCH
- 1/2" MASONRY DRILL BIT
DRILL

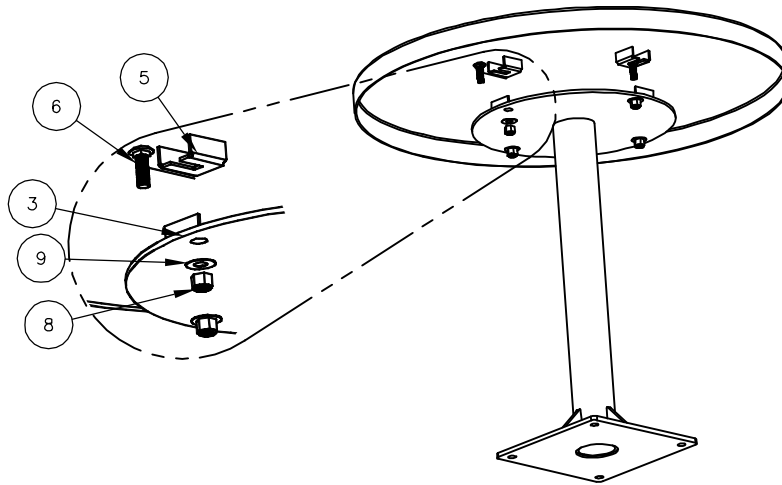
PARTS LIST FOR S-2

| ITEM | QTY | PART NO | DESCRIPTION |
|------|-----|-----------------|---|
| 1 | 8 | 0-294-00-04 | 15 1/4" SEAT SLAT, WOOD |
| 2 | 2 | 0-295-00-03 | BKLS STL SEAT FRAME FOR WOOD |
| 3 | 1 | 0-296-00-01/S-2 | TABLE SUPT FRAME FOR SURFACE MT |
| 4 | 2 | 0-296-00-02/S-2 | STL PEDESTAL SEAT SUPPORT, PLATES |
| 5 | 1 | 0-296-36-03 | 36" DIA STL TABLE TOP |
| 6 | 8 | 1-11-042 | 1/2" X 1 1/2" SS CGE BOLT |
| 7 | 16 | 1-16-023 | #14 X 7/8 SS HX WASH HD 'A' SLTD WD SCREW |
| 8 | 8 | 1-20-015 | 1/2" SS NYLON LOCKNUT |
| 9 | 8 | 1-22-015 | 1/2" SS FLAT WASHER |

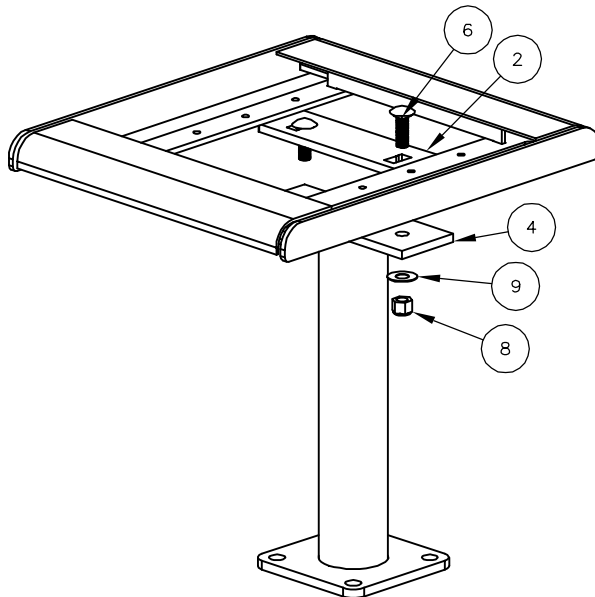
KITS PROVIDED FOR S-2

| ITEM | QTY | PART NO | DESCRIPTION |
|------|-----|-------------|-----------------------------------|
| 10 | 3 | K-ANCO860-4 | 1/2" X 3 3/4" SS ANCHOR KIT (4PC) |
| 11 | 2 | K-CG0824-4L | 1/2" CGE BOLT HARDWARE KIT (4) |
| 12 | 1 | K-WS1414-16 | #14 HEX HD WASH WOOD SCR (16PC) |

1 ATTACH TABLE TOP TO TABLE SUPPORT.



2 ATTACH STL. SEAT FRAME TO SEAT SUPPORT.



3 ATTACH SLATS TO STEP #2.

