

**NOTES:**

- 1.) ALL STL. MEMBERS COATED W/ ZINC RICH EPOXY THEN FINISHED W/ POLYESTER POWDER COATING.
- 2.) 1/2" X 3 3/4" EXPANSION ANCHOR BOLTS PROVIDED.
- 3.) ALL WELDS CONT. THEN GROUND SMOOTH.



**DuMor, inc.**  
 P.O. Box 142 Mifflintown, PA 17059-0142

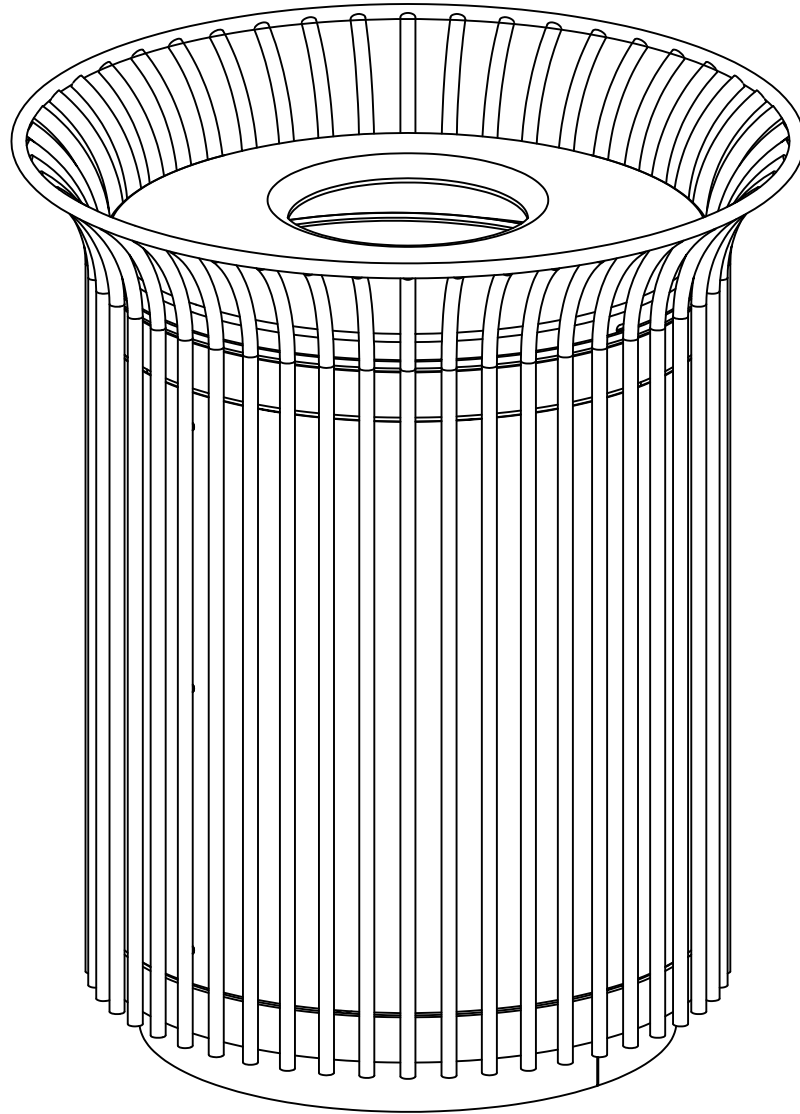
SCALE : NONE  
 DATE DRAWN : 6/24/03  
 DRAWN BY : CDC  
 DATE REV. : 12/10/12  
 REV. BY : JSB

TITLE : RECEPTACLE

REV. H

DRAWING NUMBER 158-32SH-FTO

SHEET 1 OF 2



NOTE:

- 1.) RECEPTACLE SHIPPED FULLY ASSEMBLED.
- 2.) COVER ATTACHED W/ 1/8" VINYL COATED CABLE.
- 3.) MOUNT AND ANCHOR AS SPECIFIED.



DuMor, inc.

P.O. Box 142 Mifflintown, PA 17059-0142

SCALE :	NONE
DATE DRAWN :	6/24/03
DRAWN BY :	CDC
DATE REV. :	12/10/12
REV. BY :	JSB

TITLE :		RECEPTACLE	
REV.	DRAWING NUMBER	158-32SH-FTO	SHEET 2 OF 2
H			