

NOTES

- 1.) ALL STL. MEMBERS COATED W/ ZINC RICH EPOXY THEN FINISHED W/ POLYESTER POWDER COATING.
- 2.) 1/2" X 3 3/4" EXPANSION ANCHOR BOLTS PROVIDED FOR OPTIONS S-2 AND S-4.

WOOD OPTIONS

- 'C' & BTR. DOUGLAS FIR KD S4S EE
- IPE S4S EE
- OTHER _____



PICNIC TABLE

DATE DRAWN : 03/22/94
 DRAWN BY : AWH
 DATE REV. : 11/09/11
 REV. BY : RDH

REV.
E

DRAWING NUMBER

75-68-1

SHEET
1 OF 2

NOTES:

- 1.) DURING ASSEMBLY PROCEDURE;
DO NOT COMPLETELY TIGHTEN HARDWARE.
- 2.) THE ACTUAL PARTS WILL NOT BE NUMBERED.
NUMBERS ONLY APPLY TO DRAWING.
- 3.) UPON COMPLETION OF ASSEMBLY SQUARE
ALL COMPONENTS THEN TIGHTEN ALL HARDWARE.
- 4.) MOUNT AND ANCHOR AS SPECIFIED.

TOOLS REQ'D

- 3/4" WRENCH
- 1/4" ALLEN WRENCH
- 1/2" MASONRY DRILL BIT
DRILL

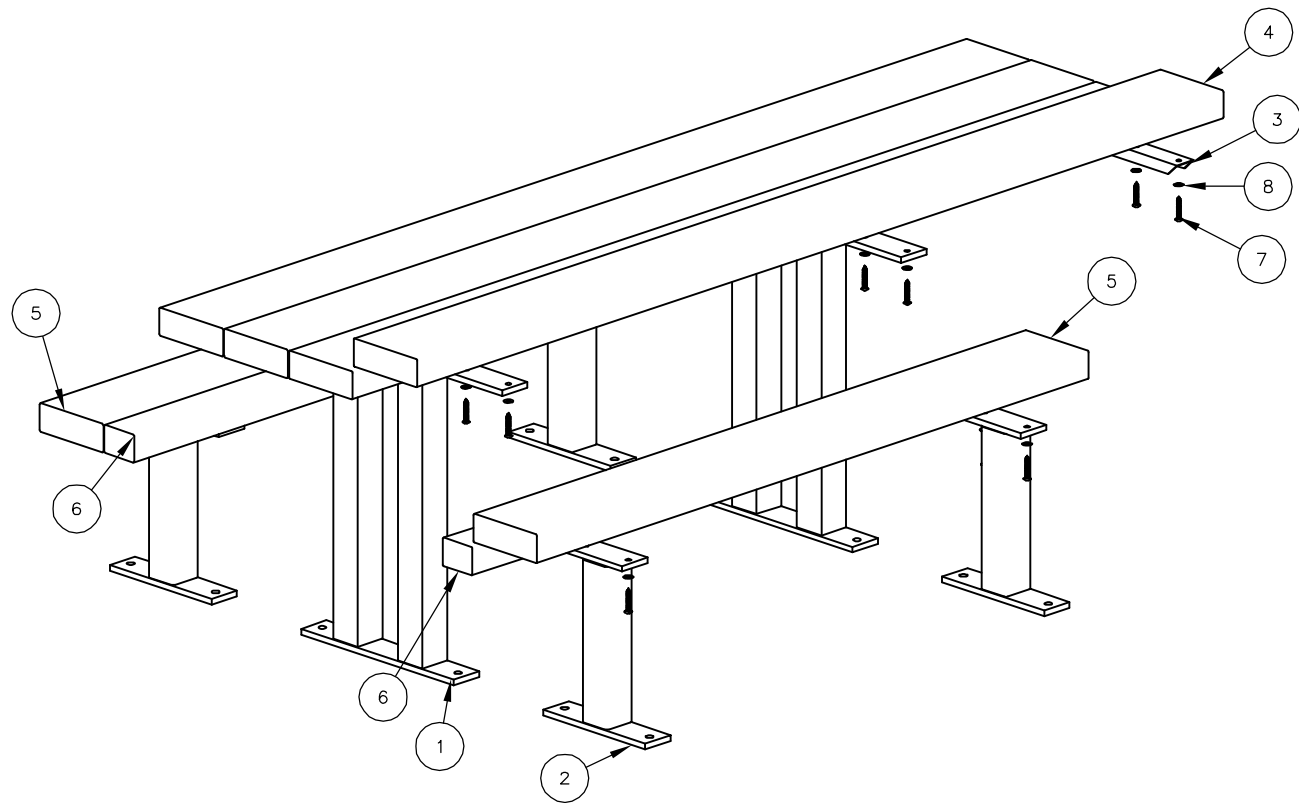
PARTS LIST

ITEM	QTY	PART NO	DESCRIPTION
1	2	0-75-00-03/S-2	TABLE SUPPORT FOR SURFACE MOUNT
2	4	0-75-00-04/S-2	SEAT SUPPORT FOR SURFACE MOUNT
3	1	0-75-68-05	END CHANNEL
4	4	0-75-68-1-01	3" X 8" X 95" WHLCHR TOP PLANK
5	2	0-75-68-1-02	3" X 8" X 65" SLAT, WOOD
6	2	0-75-68-1-03	3" X 4" X 65" SLAT, WOOD
7	36	1-13-016	3/8" X 2" SS BTN SKT HD LAG SCR
8	36	1-22-024	3/8" SS FLAT WASHER

KITS PROVIDED

ITEM	QTY	PART NO	DESCRIPTION
9	3	K-ANCO860-4	1/2" X 3 3/4" SS ANCHOR KIT (4PC)
10	2	K-BL0632-18	3/8" LAG HARDWARE KIT (18PC)

① ATTACH SLATS TO SUPPORTS.



ASSEMBLY
INSTRUCTIONS

DATE DRAWN : 03/22/94
DRAWN BY : AWH
DATE REV. : 11/09/11
REV. BY : RDH

REV.
E

DRAWING
NUMBER

75-68-1

SHEET
2 OF 2