

NOTES:

- 1.) ALL STL. MEMBERS COATED W/ ZINC RICH EPOXY THEN FINISHED W/ POLYESTER POWDER COATING.
- 2.) 1/2" X 3 3/4" EXPANSION ANCHOR BOLTS PROVIDED.
- 3.) ALL WELDS CONT. THEN GROUND SMOOTH.

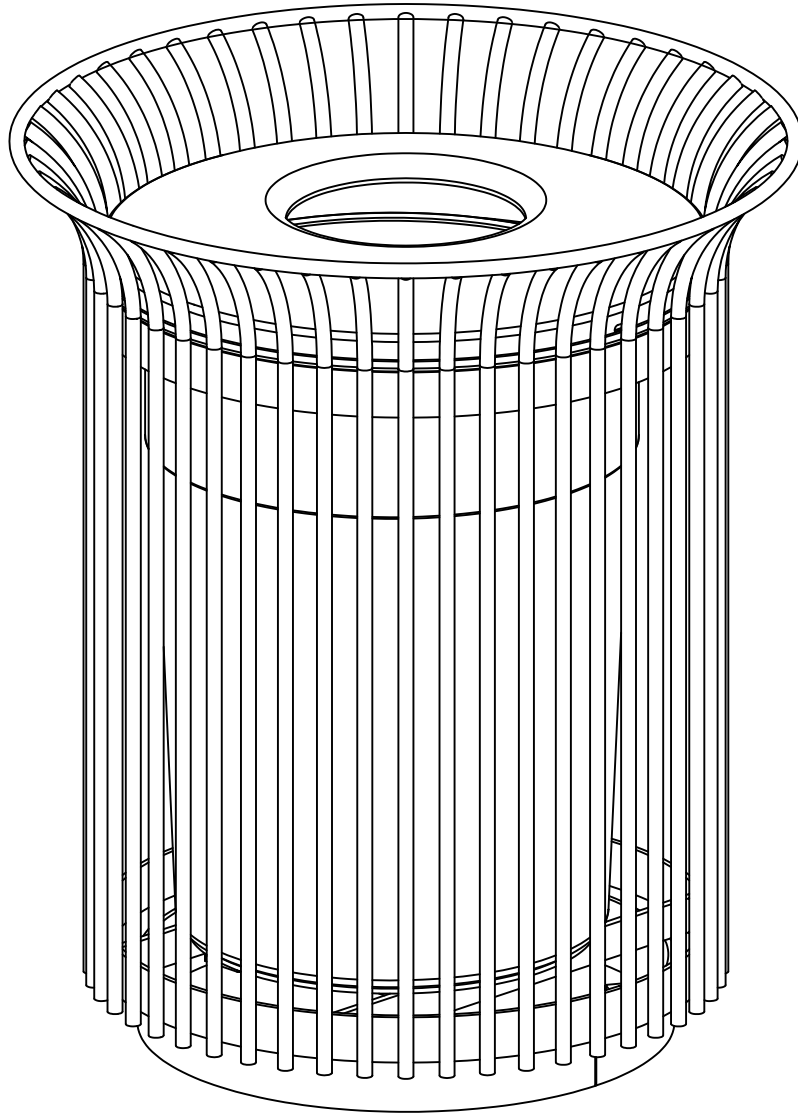


DuMor, inc.

P.O. Box 142 Mifflintown, PA 17059-0142

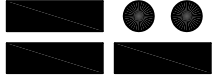
SCALE :	NONE
DATE DRAWN :	12/26/12
DRAWN BY :	JSB
DATE REV. :	
REV. BY :	

TITLE :	RECEPTACLE	
REV.	DRAWING NUMBER	SHEET
A	158-32-FTO	1 OF 2



NOTE:

- 1.) RECEPTACLE SHIPPED FULLY ASSEMBLED.
- 2.) COVER ATTACHED W/ 1/8" VINYL COATED CABLE.
- 3.) MOUNT AND ANCHOR AS SPECIFIED.

 DuMor, inc. P.O. Box 142 Mifflintown, PA 17059-0142	SCALE :	NONE	TITLE :		RECEPTACLE
	DATE DRAWN :	12/26/12	REV.	DRAWING NUMBER	158-32-FTO
	DRAWN BY :	JSB	A		
	DATE REV. :				
REV. BY :					2 OF 2