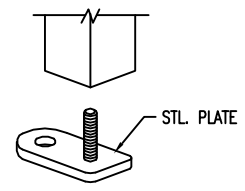
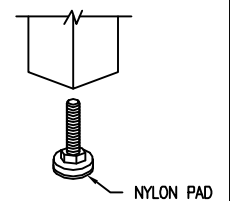


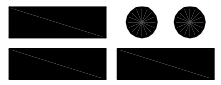
- NOTES:
- 1.) ALL STL. MEMBERS COATED W/ ZINC RICH EPOXY THEN FINISHED W/ POLYESTER POWDER COATING.
 - 2.) 1/2" X 3 3/4" EXPANSION ANCHOR BOLTS PROVIDED FOR S-2 OPTION.

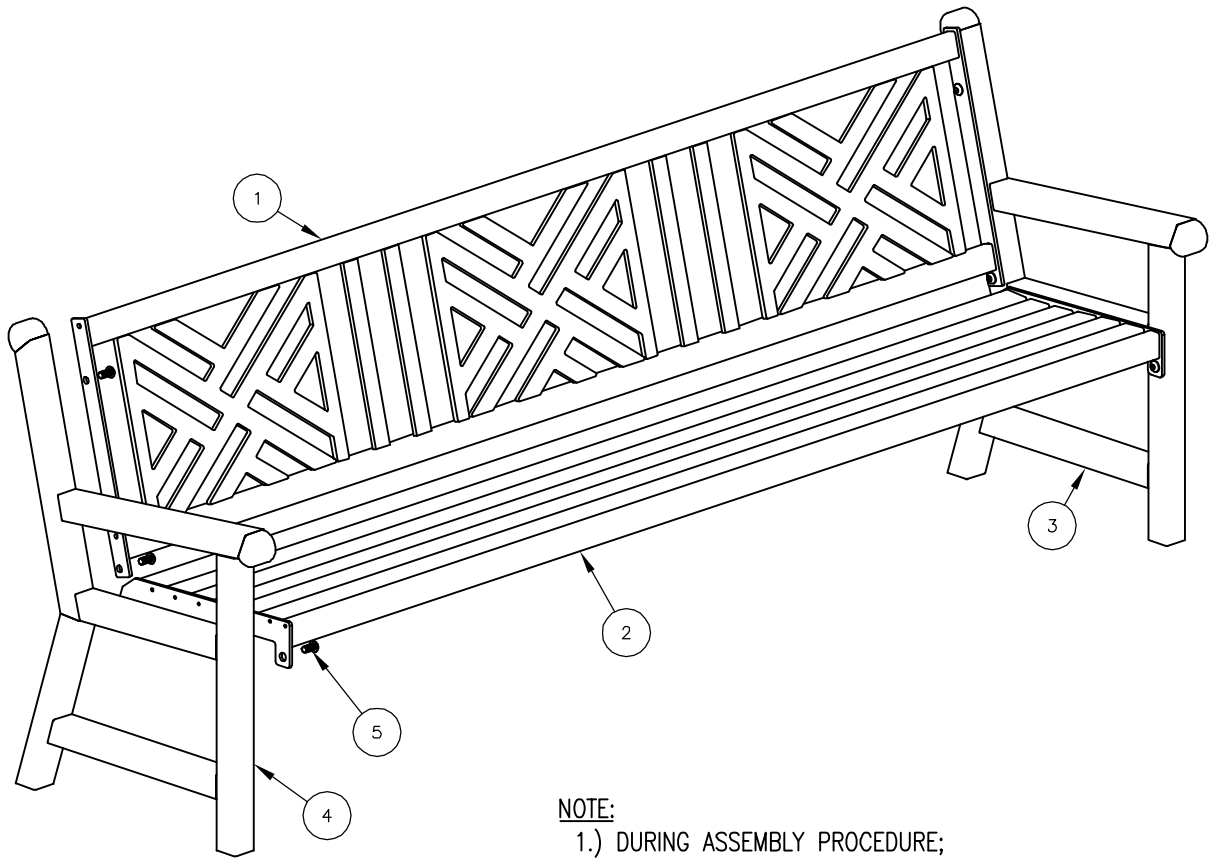


S-2 SURFACE



S-5 FREE STANDING

| | | | | | |
|--|--------------|----------|---------|----------------|--------------|
|  DuMor, inc. P.O. Box 142 Mifflintown, PA 17059-0142 | SCALE : | NONE | TITLE : | | BENCH |
| | DATE DRAWN : | 9/10/97 | REV. | DRAWING NUMBER | 117-80 |
| | DRAWN BY : | AH | C | | |
| | DATE REV. : | 12/11/98 | | | |
| | REV. BY : | JSB | | | SHEET 1 OF 2 |



NOTE:

- 1.) DURING ASSEMBLY PROCEDURE;
DO NOT COMPLETELY TIGHTEN HARDWARE.
- 2.) THE ACTUAL PARTS WILL NO BE NUMBERED:
NUMBERS ONLY APPLY TO DRAWING.
- 3.) SEE SPEC. SHEET 1 FOR MOUNTING OPTION.

STEP 1:

USE 1 - PC. 8' ALL STL SEAT ASSEMBLY (2)
 1 - PC. ALL STL LEFT END SUPPORT (3)
 1 - PC. ALL STL RIGHT END SUPPORT (4)
 4 - PCS. 1/2" X 1" SS. BTN. SKT. HD. CAP SCR. (5)
 ATTACH ALL STL LEFT SUPPORT (3) & ALL STL RIGHT
 SUPPORT (4) TO 8' ALL STL SEAT ASSEMBLY (2)
 USING HARDWARE (5). TIGHTEN TO SNUG FIT.

STEP 2:

USE 1 - PC. 8' ALL STL BACK ASSEMBLY (1)
 4 - PCS. 1/2" X 1" SS. BTN. SKT. HD. CAP SCR. (5)
 ATTACH 8' ALL STL BACK ASSEMBLY (1) TO STEP 1 ASSEMBLY
 USING HARDWARE (5). TIGHTEN TO SNUG FIT.

STEP 3:

UPON COMPLETION OF BENCH ASSEMBLY SQUARE
 ALL COMPONENTS THEN TIGHTEN ALL HARDWARE.

STEP 4:

ANCHOR ACCORDING TO SUPPORT OPTION USED.

| ITEM | QTY | PART NO | DESCRIPTION |
|------|-----|-------------|---------------------------------|
| 1 | 1 | 0-117-80-01 | 8' ALL STL BACK ASSEMBLY |
| 2 | 1 | 0-117-80-02 | 8' ALL STL SEAT ASSEMBLY |
| 3 | 1 | 0-94-00L-01 | STL LEFT END SUPPORT |
| 4 | 1 | 0-94-00R-01 | STL RIGHT END SUPPORT |
| 5 | 8 | 1-12-056 | 1/2" X 1" SS BTN SKT HD CAP SCR |



DuMor, inc.
 P.O. Box 142 Mifflintown, PA 17059-0142

SCALE : NONE
 DATE DRAWN : 9/10/97
 DRAWN BY : AH
 DATE REV. : 12/11/98
 REV. BY : JSB

TITLE : BENCH ASSEMBLY

REV. C

DRAWING NUMBER 117-80

SHEET 2 OF 2