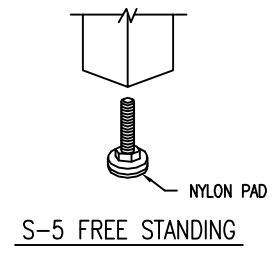
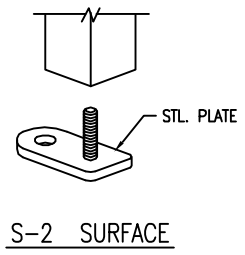
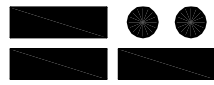
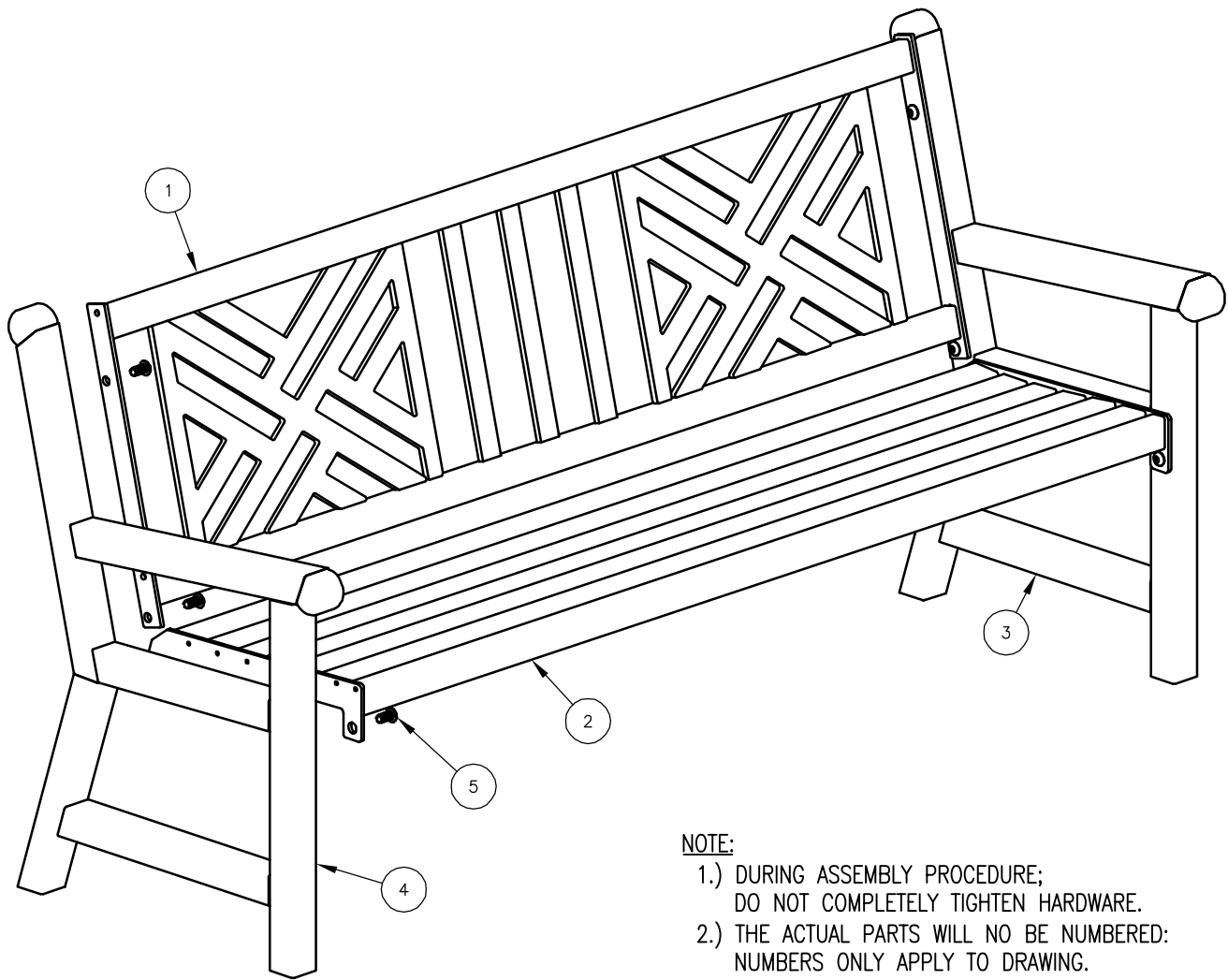


NOTES:

- 1.) ALL STL. MEMBERS COATED W/ ZINC RICH EPOXY THEN FINISHED W/ POLYESTER POWDER COATING.
- 2.) 1/2" X 3 3/4" EXPANSION ANCHOR BOLTS PROVIDED FOR S-2 OPTION.



 DuMor, inc. P.O. Box 142 Mifflintown, PA 17059-0142	SCALE :	NONE	TITLE :		BENCH
	DATE DRAWN :	9/10/97	REV.	DRAWING NUMBER	117-60
	DRAWN BY :	AH	C		
	DATE REV. :	12/11/98			
	REV. BY :	JSB			SHEET 1 OF 2



NOTE:

- 1.) DURING ASSEMBLY PROCEDURE;
DO NOT COMPLETELY TIGHTEN HARDWARE.
- 2.) THE ACTUAL PARTS WILL NO BE NUMBERED:
NUMBERS ONLY APPLY TO DRAWING.
- 3.) SEE SPEC. SHEET 1 FOR MOUNTING OPTION.

STEP 1:

USE 1 - PC. 6' ALL-STL SEAT ASSEMBLY (2)
 1 - PC. ALL-STL LEFT END SUPPORT (3)
 1 - PC. ALL-STL RIGHT END SUPPORT (4)
 4 - PCS. 1/2" X 1" SS. BTN. SKT. HD. CAP SCR. (5)
 ATTACH ALL-STL LEFT SUPPORT (3) & ALL-STL RIGHT
 SUPPORT (4) TO 6' ALL-STL SEAT ASSEMBLY (2)
 USING HARDWARE (5). TIGHTEN TO SNUG FIT.

STEP 2:

USE 1 - PC. 6' ALL-STL BACK ASSEMBLY (1)
 4 - PCS. 1/2" X 1" SS. BTN. SKT. HD. CAP SCR. (5)
 ATTACH 6' ALL-STL BACK ASSEMBLY (1) TO STEP 1 ASSEMBLY
 USING HARDWARE (5). TIGHTEN TO SNUG FIT.

STEP 3:

UPON COMPLETION OF BENCH ASSEMBLY SQUARE ALL
 COMPONENTS THEN TIGHTEN ALL HARDWARE.

STEP 4:

ANCHOR ACCORDING TO SUPPORT OPTION USED.

ITEM	QTY	PART NO	DESCRIPTION
1	1	0-117-60-01	6' ALL STL BACK ASSEMBLY
2	1	0-117-60-02	6' ALL STL SEAT ASSEMBLY
3	1	0-94-00L-01	STL LEFT END SUPPORT
4	1	0-94-00R-01	STL RIGHT END SUPPORT
5	8	1-12-056	1/2" X 1" SS BTN SKT HD CAP SCR



DuMor, inc.
 P.O. Box 142 Mifflintown, PA 17059-0142

SCALE : NONE
 DATE DRAWN : 9/10/97
 DRAWN BY : AH
 DATE REV. : 12/11/98
 REV. BY : JSB

TITLE : BENCH ASSEMBLY

REV. C	DRAWING NUMBER 117-60	SHEET 2 OF 2
--------	-----------------------	--------------