

NOTES

- 1.) ALL STL. MEMBERS COATED W/ ZINC RICH EPOXY THEN FINISHED W/ POLYESTER POWDER COATING.
- 2.) 1/2" X 3 3/4" EXPANSION ANCHOR BOLTS PROVIDED.


DuMor, inc.
 P.O. Box 142 Mifflintown, PA 17059-0142

SCALE : NONE
 DATE DRAWN : 11/9/10
 DRAWN BY : JSB
 DATE REV. :
 REV. BY :

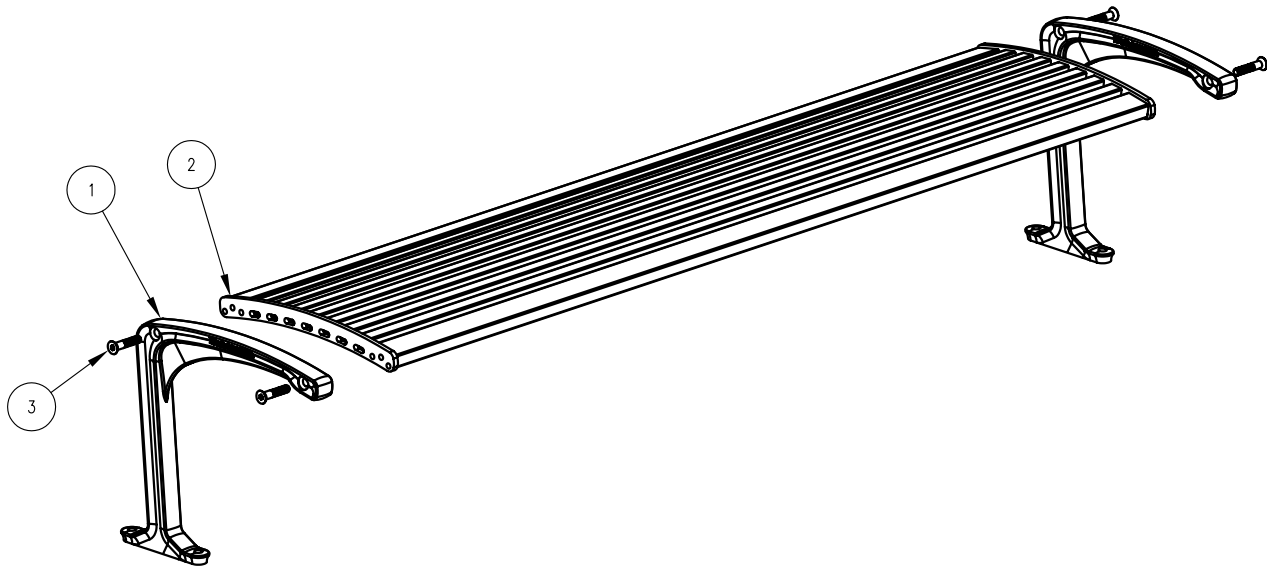
TITLE : BENCH
 REV. A
 DRAWING NUMBER

195 SERIES

SHEET
 1 OF 2

NOTE:

- 1.) DURING ASSEMBLY PROCEDURE;
DO NOT COMPLETELY TIGHTEN HARDWARE.
- 2.) THE ACTUAL PARTS WILL NOT BE NUMBERED:
NUMBERS ONLY APPLY TO DRAWING.



STEP 1:

- USE 2 - PCS. BKLS BENCH SUPPORT (1)
 - 1 - PC. 6' STL BKLS SEAT (2)
 - 4 - PCS. 1/2" X 2 1/2" FLT. SKT. HD. CAP SCR. (3)
- ATTACH BKLS BENCH SUPPORT (1) TO 6' STL BKLS SEAT (2) USING HARDWARE (3). TIGHTEN TO SNUG FIT.


STEP 2:

UPON COMPLETION OF BENCH ASSEMBLY SQUARE ALL COMPONENTS THEN TIGHTEN ALL HARDWARE.

STEP 3:

MOUNT AND ANCHOR AS SPECIFIED.

ITEM	QTY	PART NO	DESCRIPTION
1	2	0-186-00-01	BKLS BENCH SUPT
2	1	0-195-60-01	6' STL BKLS SEAT
3	4	1-12-065	1/2" X 2 1/2" FLT SKT HD CAP SCR

 DuMor, inc. P.O. Box 142 Mifflintown, PA 17059-0142	SCALE :	NONE	TITLE : BENCH ASSEMBLY		
	DATE DRAWN :	11/9/10			
	DRAWN BY :	JSB	REV.	DRAWING NUMBER 195 SERIES	SHEET 2 OF 2
	DATE REV. :		A		
	REV. BY :				