

**NOTES**

- 1.) ALL STL. MEMBERS COATED W/ ZINC RICH EPOXY THEN FINISHED W/ POLYESTER POWDER COATING.
- 2.) 1/2" X 3 3/4" EXPANSION ANCHOR BOLT PROVIDED.

**WOOD OPTIONS**

- 'C' & BTR. DOUGLAS FIR KD S4S EE
- IPE S4S EE
- OTHER \_\_\_\_\_



TABLE

DATE DRAWN : 12/30/13  
 DRAWN BY : RDH  
 DATE REV. : 01/11/16  
 REV. BY : ESS

REV.  
B

DRAWING  
NUMBER

475-60/S-5

SHEET  
1 OF 2

**NOTES:**

- 1.) DURING ASSEMBLY PROCEDURE;  
DO NOT COMPLETELY TIGHTEN HARDWARE.
- 2.) THE ACTUAL PARTS WILL NOT BE NUMBERED.  
NUMBERS ONLY APPLY TO DRAWING.
- 3.) UPON COMPLETION OF ASSEMBLY SQUARE  
ALL COMPONENTS THEN TIGHTEN ALL HARDWARE.
- 4.) MOUNT AND ANCHOR AS SPECIFIED.

**TOOLS REQ'D**

- 3/4" WRENCH
- 1/2" WRENCH
- 9/16" WRENCH
- 1/4" ALLEN WRENCH
- 1/2" MASONRY DRILL BIT
- DRILL

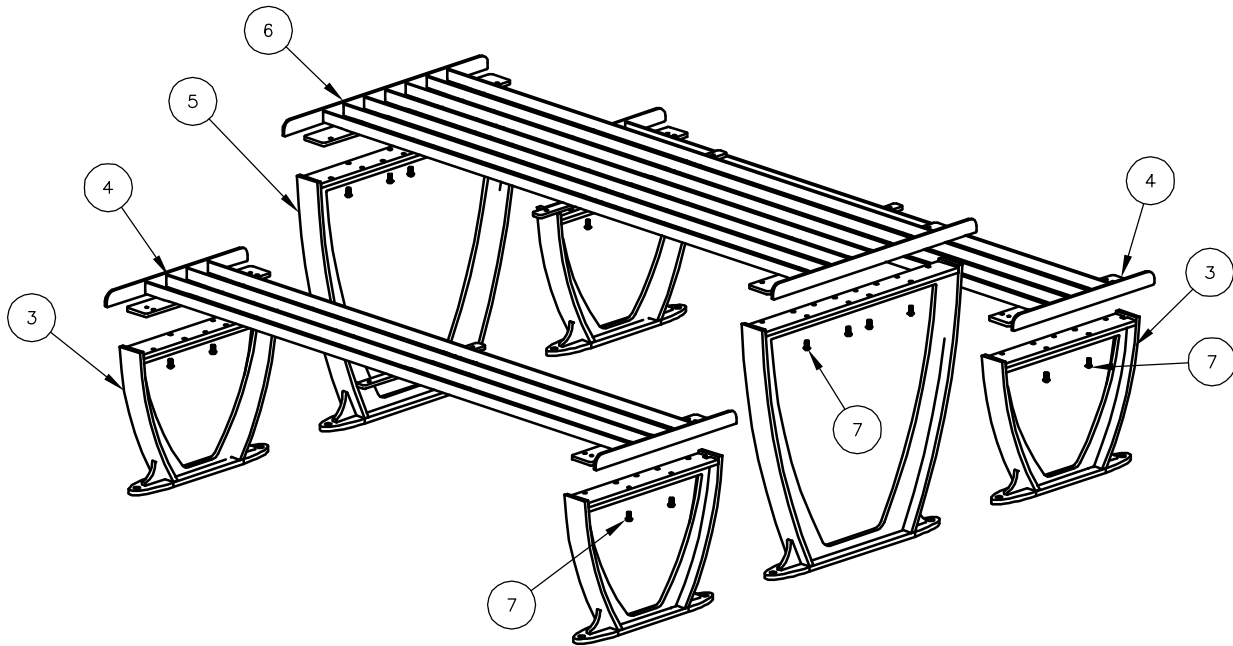
**PARTS LIST**

ITEM	QTY	PART NO	DESCRIPTION
1	12	0-472-60-03	71" INT'R SLAT, WOOD
2	6	0-472-60-05	2" X 6" X 71" EDGE PROFILE SLAT, WOOD
3	4	0-473-00-01	STL BKLS SUPPORT
4	2	0-473-60-02	6" STL BKLS SEAT FRAME
5	2	0-475-01/S-5	STL TABLE SUPPORT, FREE STD
6	1	0-475-60-02	6" STL TABLE FRAME
7	16	1-12-133	3/8" X 3/4" SS BTN SKT HD CAP SCR
8	18	1-13-023	5/16" X 1 1/2" SS BTN SKT HD LAG
9	36	1-13-038	5/16" X 2" SS HEX HD LAG SCR
10	54	1-22-017	5/16" SS FLAT WASHER

**KITS PROVIDED**

ITEM	QTY	PART NO	DESCRIPTION
11	3	K-ANC0860-4	1/2" X 3 3/4" SS ANCHOR KIT (4PC)
12	4	K-BC0612-4	3/8" CAP HARDWARE KIT (4PC)
13	1	K-BL0524-18	5/16" LAG HARDWARE KIT (18PC)
14	3	K-HL0532-12	5/16" LAG HARDWARE KIT (12PC)

**1** ATTACH TABLE FRAME TO END SUPPORTS. INSERT HARDWARE THROUGH BOTTOM OF SUPPORTS INTO TAPPED HOLES IN FRAME.



**2** ATTACH SLATS TO STEP 1 ASSEMBLY.

