

NOTES:

- 1.) ALL STL. MEMBERS COATED W/ ZINC RICH EPOXY THEN FINISHED W/ POLYESTER POWDER COATING.
- 2.) 1/2" X 3 3/4" EXPANSION ANCHOR BOLTS PROVIDED.

LENGTH OPTIONS

- 6' BENCH
- 8' BENCH


DuMor, inc.
 P.O. Box 142 Mifflintown, PA 17059-0142

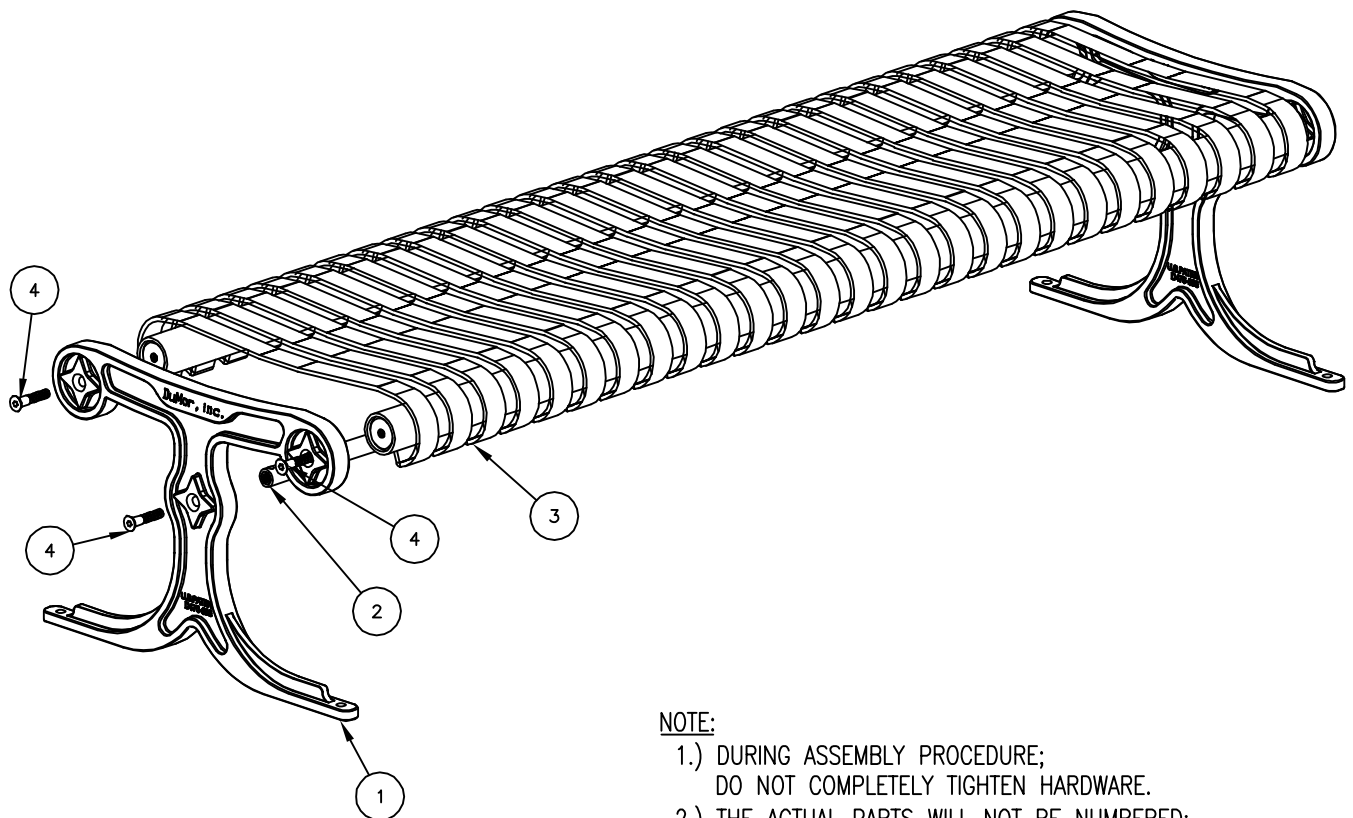
SCALE : NONE
 DATE DRAWN : 7/10/01
 DRAWN BY : AWH
 DATE REV. :
 REV. BY :

TITLE : BENCH
 PATENT D470-690

REV. A

DRAWING NUMBER 144 SERIES

SHEET 1 OF 2



NOTE:

- 1.) DURING ASSEMBLY PROCEDURE;
DO NOT COMPLETELY TIGHTEN HARDWARE.
- 2.) THE ACTUAL PARTS WILL NOT BE NUMBERED;
NUMBERS ONLY APPLY TO DRAWING.

STEP 1:

USE 2 - PCS. CAST IRON BENCH SUPPORT (1)
 1 - PC. 6' SEAT ASSEMBLY (3)
 4 - PCS. 1/2" X 2 1/2" FLT. SKT. HD. CAP SCR. (4)
 ATTACH CAST IRON BENCH SUPPORTS (1) TO 6' SEAT
 ASSEMBLY (3) USING HARDWARE (4). TIGHTEN TO SNUG FIT.

STEP 2:

USE 1 - PC. 71 3/4" PIPE BRACE (2)
 2 - PCS. 1/2" X 2 1/2" FLT. SKT. HD. CAP SCR. (4)
 ATTACH 71 3/4" PIPE BRACE (2) TO STEP 1 ASSEMBLY
 USING HARDWARE (4). TIGHTEN TO SNUG FIT.

STEP 3:

UPON COMPLETION OF BENCH ASSEMBLY SQUARE
 ALL COMPONENTS THEN TIGHTEN ALL HARDWARE.

STEP 4:

MOUNT AND ANCHOR AS SPECIFIED.

ITEM	QTY	PART NO	DESCRIPTION
1	2	0-144-00-01	CAST IRON BENCH SUPPORT W/O BACK
2	1	0-57-60-04	71 3/4" PIPE BRACE
3	1	0-92-60-01	6' STL SEAT
4	6	1-12-065	1/2" X 2 1/2" FLT SKT HD CAP SCR

DuMor, inc.
 P.O. Box 142 Mifflintown, PA 17059-0142

SCALE : NONE
 DATE DRAWN : 7/10/01
 DRAWN BY : AWH
 DATE REV. :
 REV. BY :

TITLE : BENCH ASSEMBLY
 PATENT D470-690

REV. A
 DRAWING NUMBER 144 SERIES

SHEET 2 OF 2