

LENGTH OPTIONS

- 6' BENCH
- 8' BENCH

SLAT OPTIONS

- "CEDAR" RECYCLED PLASTIC
- "GREY" RECYCLED PLASTIC
- "REDWOOD" RECYCLED PLASTIC
- "WALNUT" RECYCLED PLASTIC
- OTHER \_\_\_\_\_

NOTES

- 1.) ALL ALUM. & STL. MEMBERS COATED W/ ZINC RICH EPOXY THEN FINISHED W/ POLYESTER POWDER COATING.
- 2.) 1/2" X 3 3/4" EXPANSION ANCHOR BOLT PROVIDED.

**DuMor, inc.**  
P.O. Box 142 Mifflintown, PA 17059-0142

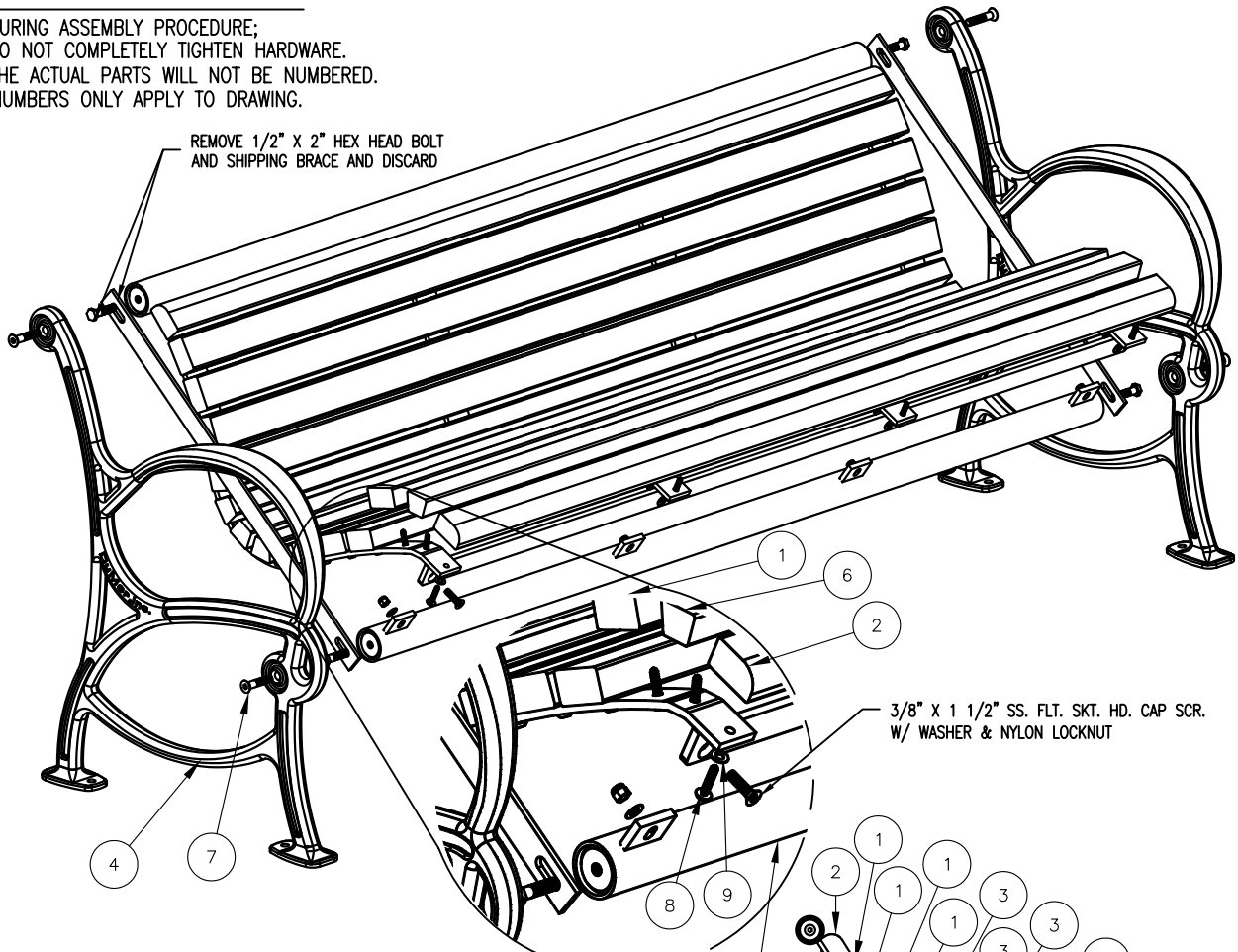
SCALE : NONE  
DATE DRAWN : 09/24/12  
DRAWN BY : ESS  
DATE REV. :  
REV. BY :

TITLE : BENCH

REV. A	DRAWING NUMBER 447 SERIES PL	SHEET 1 OF 2
--------	------------------------------	--------------

**NOTE:**

- 1.) DURING ASSEMBLY PROCEDURE;  
DO NOT COMPLETELY TIGHTEN HARDWARE.
- 2.) THE ACTUAL PARTS WILL NOT BE NUMBERED.  
NUMBERS ONLY APPLY TO DRAWING.



**DETAIL A**

3/8" X 1 1/2" SS. FLT. SKT. HD. CAP SCR.  
W/ WASHER & NYLON LOCKNUT

**SLAT LAYOUT**

**STEP 1:**

- USE 2 - PC. CAST ALUM. SUPPORT ( 4 )
  - 1 - PC. 6' STL. SEAT FRAME ASSEMBLY ( 5 )
  - 2 - PCS. 1/2" X 2 1/2" FLT. SKT. HD. CAP SCR. ( 7 )
- ATTACH CAST ALUM. BENCH SUPPORT ( 4 ) TO 6' STL. SEAT FRAME ASSEMBLY ( 5 ) USING HARDWARE ( 7 ). TIGHTEN TO SNUG FIT.

**STEP 2:**

- DISSASSEMBLE SEAT FRAME FROM LOWER PIPE,
- USE 1 - PC. 2" X 3" X 71" EDGE SLAT, PLASTIC ( 2 ),
  - 1 - PC. 71" TRAP SLAT, PLASTIC ( 6 ),
  - 1 - PC. 2" X 3" X 71" INT'R SLAT, PLASTIC ( 1 )
  - 12 - PCS. 5/16" X 1 1/2" BTN. SKT. HD. LAG SCR. ( 8 )
  - 12 - PCS 5/16" SS FLAT WASHER ( 9 )
- ATTACH SLATS ( 1, 2, 6 ) TO CONTOUR STRAPS, USING HARDWARE ( 8, 9 ), TIGHTEN TO SNUG FIT.  
REASSEMBLE SEAT FRAME TO LOWER PIPE.

**STEP 3:**

- USE 1 - PC. 2" X 3" X 71" EDGE SLAT, PLASTIC ( 2 ),
  - 4 - PCS. 71" TRAP SLAT, PLASTIC ( 3 ),
  - 7 - PCS. 2" X 3" X 71" INT'R SLAT, PLASTIC ( 1 )
  - 48 - PCS. 5/16" X 1 1/2" BTN. SKT. HD. LAG SCR. ( 8 )
  - 48 - PCS 5/16" SS FLAT WASHER ( 9 )
- ATTACH SLATS ( 1, 2, 3 ) TO CONTOUR STRAPS, USING HARDWARE ( 8, 9 ), TIGHTEN TO SNUG FIT.

**STEP 4:**

UPON COMPLETION OF BENCH ASSEMBLY SQUARE ALL COMPONENTS THEN TIGHTEN ALL HARDWARE.

**STEP 5:**

MOUNT AND ANCHOR AS SPECIFIED.

ITEM	QTY	PART NO	DESCRIPTION
1	8	0-143-60PL-01	2" X 3" X 71" INT'R SLAT, PLASTIC
2	2	0-143-60PL-02	2" X 3" X 71" EDGE SLAT, PLASTIC
3	4	0-165-60PL-03	71" TRAP SLAT, PLASTIC
4	2	0-446-00-01	CAST ALUM SUPPORT
5	1	0-447-60	6' STL SEAT FRAME ASMBLY
6	1	0-447-60PL-03	71" TRAP SLAT, PLASTIC
7	4	1-12-065	1/2" X 2 1/2" FLT SKT HD CAP SCR
8	60	1-13-023	5/16" X 1 1/2" SS BTN SKT HD LAG
9	60	1-22-017	5/16" SS FLAT WASHER



**DuMor, inc.**

P.O. Box 142 Mifflintown, PA 17059-0142

SCALE : NONE

DATE DRAWN : 09/27/12

DRAWN BY : ESS

DATE REV. :

REV. BY :

TITLE : BENCH ASSEMBLY

REV.

DRAWING NUMBER

447 SERIES PL

SHEET  
2 OF 2