

LENGTH OPTIONS

- 6' BENCH
- 8' BENCH

WOOD OPTIONS

- 'C' & BTR. DOUGLAS FIR KD S4S EE
- IPE S4S EE
- OTHER _____

NOTES

- 1.) ALL ALUM. & STL. MEMBERS COATED W/ ZINC RICH EPOXY THEN FINISHED W/ POLYESTER POWDER COATING.
- 2.) ALL WOOD MEMBERS TREATED W/ CLEAR PRESERVATIVE.
- 3.) 1/2" X 3 3/4" EXPANSION ANCHOR BOLTS PROVIDED.



BENCH

DATE DRAWN : 09/24/12
 DRAWN BY : ESS
 DATE REV. : 00/00/00
 REV. BY : XXX

REV.
A

DRAWING NUMBER

447 SERIES

SHEET
1 OF 2

NOTES:

- 1.) DURING ASSEMBLY PROCEDURE;
DO NOT COMPLETELY TIGHTEN HARDWARE.
- 2.) THE ACTUAL PARTS WILL NOT BE NUMBERED.
NUMBERS ONLY APPLY TO DRAWING.
- 3.) UPON COMPLETION OF ASSEMBLY SQUARE
ALL COMPONENTS THEN TIGHTEN ALL HARDWARE.
- 4.) MOUNT AND ANCHOR AS SPECIFIED.

TOOLS REQ'D

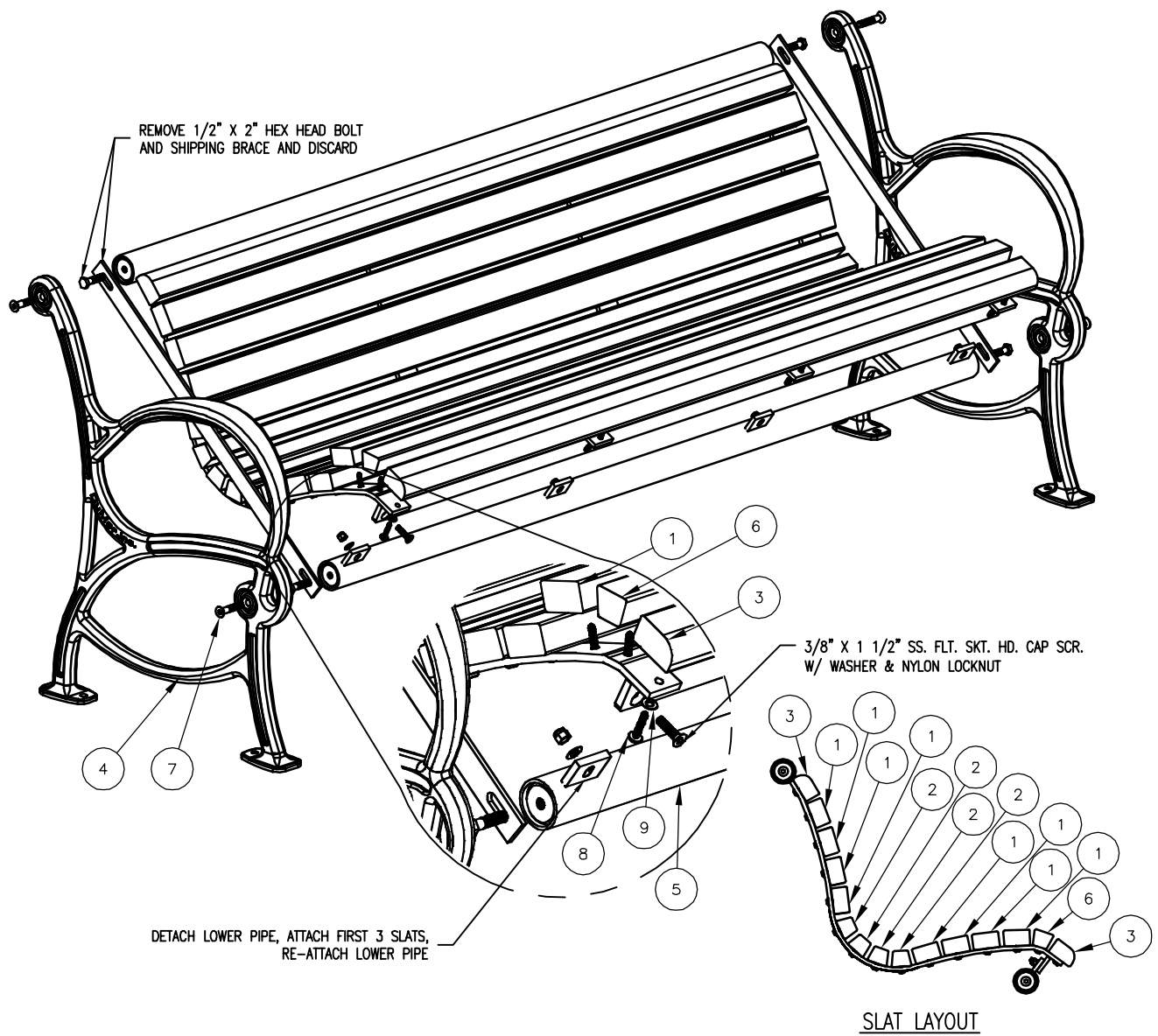
- 3/4" WRENCH
- 9/16" WRENCH
- 5/16" ALLEN WRENCH
- 1/4" ALLEN WRENCH
- 1/2" MASONRY DRILL BIT
- DRILL
- RATCHET STRAP (PROVIDED)

PARTS LIST

ITEM	QTY	PART NO	DESCRIPTION
1	8	0-165-60-02	2" X 3" X 71" SLAT, WOOD
2	4	0-165-60-03	71" TRAP SLAT, WOOD
3	2	0-197-60-03	2" X 3" X 71" EDGE SLAT, WOOD
4	2	0-446-00-01	CAST ALUM SUPPORT
5	1	0-447-60	6' STL SEAT FRAME ASMBLY
6	1	0-447-60-03	71" TRAP SLAT, WOOD
7	4	1-12-065	1/2" X 2 1/2" FLT SKT HD CAP SCR
8	60	1-13-023	5/16" X 1 1/2" SS BTN SKT HD LAG
9	60	1-22-017	5/16" SS FLAT WASHER

KITS PROVIDED

ITEM	QTY	PART NO	DESCRIPTION
10	1	K-ANCO860-4	1/2" X 3 3/4" SS ANCHOR KIT (4PC)
11	1	K-BL0524-60	5/16" LAG HARDWARE KIT (60PC)
12	1	K-FC0840-4	1/2" CAP HARDWARE KIT (4 PCS)



ASSEMBLY INSTRUCTIONS

DATE DRAWN : 09/27/12
 DRAWN BY : ESS
 DATE REV. : 00/00/00
 REV. BY : XXX

REV. A

DRAWING NUMBER

447 SERIES

SHEET 2 OF 2